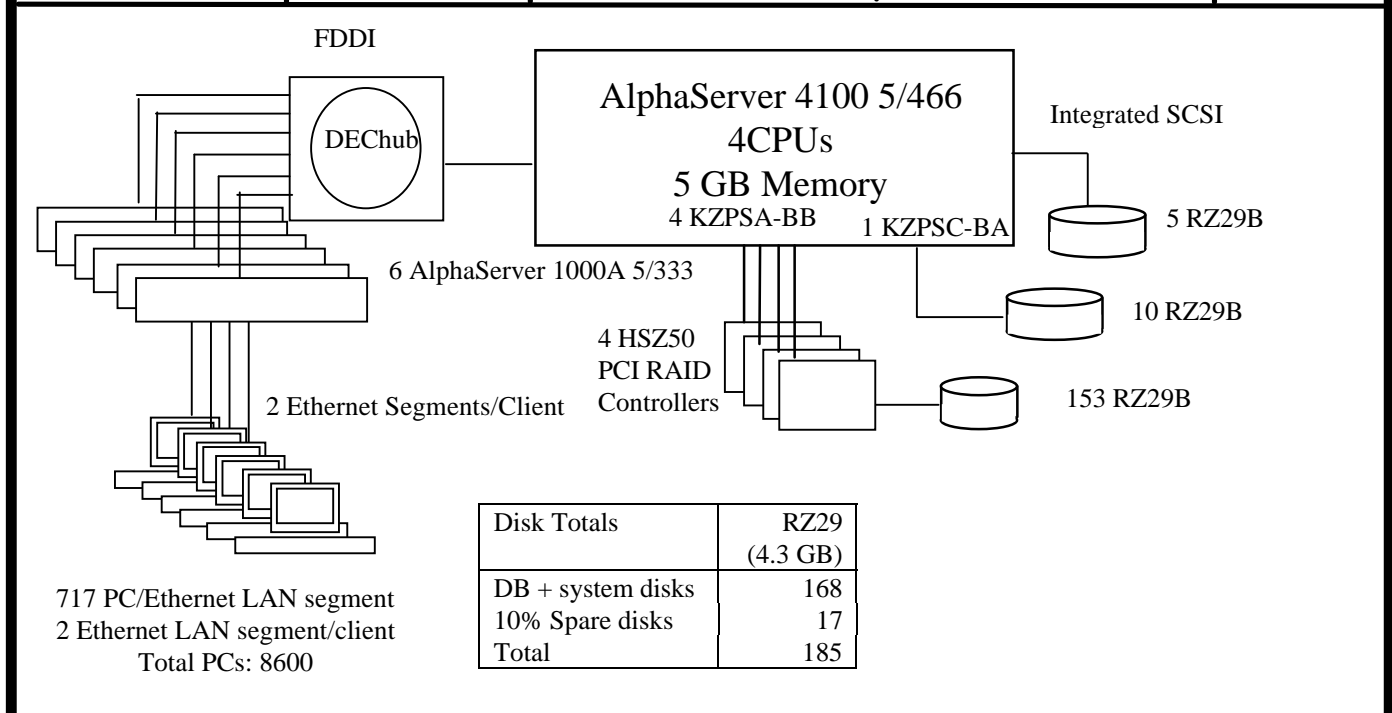


Digital Equipment Corporation Sybase, Inc.	Digital AlphaServer 4100 5/466 4 CPUs C/S and 6 AlphaServer 1000A 5/333 Front-End Systems	TPC-C Rev 3.3.1
		Report Date: May 12, 1997

Total System Cost	TPC-C Throughput	Price/Performance	Availability Date
\$1,288,102	10350.16 tpmC	\$124.45/tpmC	October 31, 1997

Processors	Database Manager	Operating System	Other Software	Number of Users
4 466 MHz DECchip 21164	Sybase SQL Server 11.03	Digital UNIX V4.0D	BEA TUXEDO System/T v4.2	8600



System Components	Server		Client (each of 6)	
	Qty	Type	Qty	Type
Database Nodes	1	AlphaServer 4100 5/466	1	AlphaServer 1000A 5/333
Processors	4	466 MHz DECchip 21164	1	333 MHz DECchip 21064A
Cache Memory	4	MB		512 KB
Memory	2	512 MB	4	128MB
	4	1024MB		
Total Memory	5	GB	1	RZ28
Disk Controllers	5	PCI		
Disks	185	4.3 GB Disks		
Total Disk Storage	795.5	GB		

Description	Part Number	Third Party		Unit Price	Qty	Extended Price	5 yr. Maint. Price
		Brand	Pricing				
Server Hardware							
Digital ASVR4100 5/466 DRW UNX 2GB	DA-51JAB-GA		1	103,054	1	103,054	6,395
Digital AS4100/4000 Pedestal Kit	BA30P-AB		1	2,905	1	2,905	inc
AS41/4000 466Mhz UNX SMP UPG	KN304-DB		1	12,410	3	37,230	inc
AS4XXX 1GB Memory	MS330-FA		1	33,580	1	33,580	inc.
AS4100/4000 2GB MEM OPTION	MS330-GA		1	67,160	1	67,160	inc
5YR S/W, AS4xxx UNIX full service (8x5 w/4 hr resp)	FM-51UNS-60		1	6,315	1		6,315
PCI Host Bus Adapter (FWD)	KZPSA-BB		1	865	4	3,460	816
PCI Backplane Raid 3 Channel	KZPSC-BA		1	2,520	1	2,520	204
Battery Backup for KZPSC cach	KZPSC-UB		1	225	1	225	204
PCI-SCSI Host Bus Adapter, FNS	KZPAA-AA		1	217	1	217	204
Cable Assy, SCSI-II	17-04107-01		1	78	4	312	0
StoWorks 32MB Dual SCSI Cntrlr	HSZ50-AF		1	10,230	4	40,920	17,000
4MM SCSI DAT Tape Drive	TLZ09-VA		1	1,619	1	1,619	1,133
PCI TO FDDI Adptr SAS,TP-PM	DEFPA-UB		1	549	1	549	127
Shelf, 7-dev, 16-bit SCSI	BA356-SB		1	536	26	13,936	10,608
Swxxx Cntrlr shelf w/power	BA350-MB		1	1,530	4	6,120	816
DEChub 900 MultiSwitch,US/JA	DMHUB-AA		1	3,067	1	3,067	1,850
DECSwitch 900EF MP Router	DEFBA-DA		1	5,621	1	5,621	3,919
14 Port UTP concentrator	DEFHU-MU		1	4,912	1	4,912	2,767
DEChub 900 Power Supply	H7894-MA		1	761	1	761	691
HUBwatch U/A TRAD LIC	QL-0MWA9-AA		1	2,220	1	2,220	0
1.0M Cable, SCSI-2 "A"	BN21H-01		1	66	12	792	0
2.0M Cable, SCSI-2 "A"	BN21H-02		1	70	12	840	0
5m Cable, SCSI-3 "P" 1S/1R	BN21K-05		1	134	4	536	0
16 bit SCSI for KZPSC/BA356	BN31S-1E		2	116	2	232	0
VT510, White, North Amer, No Key	VT510-AA		1	330	1	330	0
4.3Gbf Disk w/snap-in carrier**	RZ29B-VA		1	1,364	185	252,340	Spared
Subtotal						585,458	53,049
Client Hardware							
AlphaSvr 1000A 5/333 UNIX PKG	PB76B-FA		1	11,607	6	69,642	
5YR 5x9 w/4hr resp, AlphaServer 1000A	FM-MK4HR-60		1	2,745	6		16,470
5YR S/W, AlphaServer 1000A (Unix)	FM-MKUNS-60		1	2,941	1		2,941
DataRam 128MB Memory module	DRD70/128		1	3,600	24	86,400	
PCI TO FDDI Adptr SAS,TP-PM	DEFPA-UB		1	549	6	3,294	2,280
PCI NIC (TP, TW, AUJ) SINGLE	DE450-CA		1	86	12	1,032	1,524
MONITOR,14*(13.2"V)NH,54KHZ	FR-PCXCV-CW		1	277	6	1,662	
Subtotal						162,030	23,215
Client Software							
Digital UNIX Alpha V3/V4 CDROM	QL-MT4AA-H8		1	284	1	284	
BEA Tuxedo R4.2.2	BEA TP Mo	BEA Systems	3	7,500	6	45,000	
1 Yr BEA Warranty for Tuxedo	BEA TP Mo	BEA Systems	3	9,900	5		49,500
Sybase Open Client/DB Lib	Sybase	Sybase	4	795	1	795	
Sybase Pdt Deployment/Development	Sybase	Sybase	4	151,580	1	151,580	
1Yr Sybase Support/Includes Open Client Suppt	Sybase	Sybase	4	25,663	5		128,316
Subtotal						197,659	177,816
User Connectivity							
Allied Tel 24 port HUB**	DEH1487	DataComm WH	5	225	395	88,875	Spared
Subtotal						88,875	
Total						\$1,034,022	\$254,080

Notes:** 10% Spares

Five-Year Cost of Ownership: **\$1,288,102**

1=Bay State Comp Grp,2=Digital , 3=BEA Systems, 4=Sybase, Inc., 5=Data Comm Warehouse tpmC Rating: **10350.16**

Audited by Information Paradigm, Inc. \$ / tpmC: **124.45**

Prices used in TPC benchmarks reflect the actual prices a customer would pay for a one-time purchase of the stated components. Individually negotiated discounts are not permitted. Special prices based on assumptions about past or future purchases are not permitted. All discounts reflect standard pricing policies for the listed components. For complete details, see the pricing sections of the TPC benchmark specifications. If you find that the stated prices are not available according to these terms, please inform the TPC at pricing@tpc.org. Thank you.