

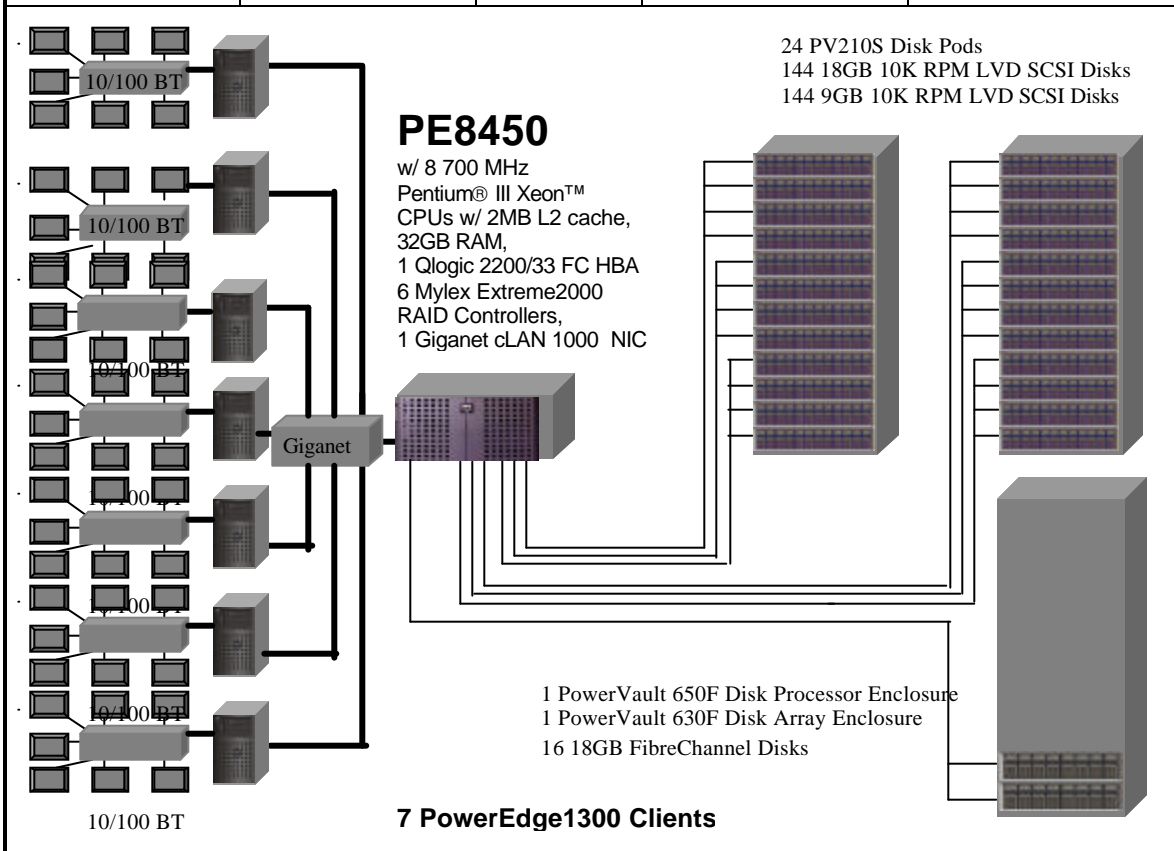


PowerEdge 8450

Client/Server w/7 PE1300 Front Ends
Reprice Date : Sept 27, 2001

TPC-C V5.0
Report Date
Aug. 4, 2000

Total System Cost	TPC-C Throughput	Price/Performance	Availability Date	
\$495,610	57014.93 tpmC	\$8.70/ tpmC	Jan. 15, 2001	
Processors	Database Manager	OS	Other Software	Number of Users
8 x Pentium® III Xeon™ Processors 700 MHz 2MB L2 Cache	Microsoft SQL Server 2000 Enterprise Edition	Microsoft Windows 2000 Datacenter Server	Windows 2000 Server w/ COM+ Internet Information Server 5.0 Microsoft Visual C++	46,000



System Component	Server		Each Client	
Processors	8	Pentium® III Xeon™ @ 700MHz	1	Pentium® III w/ 512 KB L2
Cache		2MB		6 clients @ 600MHz, 1 @ 550
Memory		32768 MB		512 MB
Disk Controllers	6	Mylex ExtremeRAID 2000	1	Adaptec On-Board
	2	Adaptec On-Board		
Disk Drives	145	9 GB SCSI	1	9 GB
	144	18 GB SCSI		
	16	18 GB FC		
Total Storage		3,866GB		9 GB
Other	1	QLogic 2200/33 FC HBA		
	1	Giganet cLAN 1000 NIC	1	
	1	CD-ROM	1	
	1	10/100 BT NIC	1	
	1	External DAT		

Description	Part Number	Third Party Brand	Third Party Pricing	Unit Price	Qty	Extended Price	3 yr. Maint. Price
Server Hardware							
Dell PowerEdge 8450 + Windows 2000 DataCenter Server includes : Pentium III Xeon 700 / 2MB L2 - eight pack 32 GB RAM, 32 x 1GB DIMMS 1MB Cache Coherency Filter 9 GB Ultra-2 LVD SCSI 10K RPM Disk eLAN 1000 NIC, PCI 32/64-bit eLAN Giganet 10m Cable Dell M570 15" Monitor Qlogic HBA	220-9900			99519	1	99,519	49,996
3DS4 External TBU	340-7420			999	1	999	0
ExtremeRAID 2000 ***		Mylex		1849	7	12,943	0
Back-UPS Office 500	519243	APC		167	26	4,341	1,176
Subtotal						117,802	51,172
PowerVault Disk Subsystem							
2V210S,ESEM,PS,Rack mount	220-4099 etc			2499	24	59,976	18,336
3CSI Cables	310-0313			49	24	1,176	0
4GB Ultra-2 LVD SCSI 10K RPM Disk *	340-1395			249	144	35,856	0
8GB Ultra-2 LVD SCSI 10K RPM Disk *	340-1395			249	144	35,856	0
350F Disk Processor Enclosure w/ 2 SP/ 2 LCC/2 PS/2 Fans	340-0840			9999	1	9,999	2,150
312 MB RAID Controller Cache	311-0637			1024	2	2,048	0
330F Disk Array Enclosure w/ 2 LCC/2 PS	220-0480			3647	1	3,647	1,400
8GB 10K RPM Fibre Channel Hard Drive 10 Pack *	340-2843			4590	2	9,180	0
12U Rack	220-0605			1294	2	2,588	0
Subtotal						160,326	21,886
Server Software							
SQL Server 2000 Version 8, Ent. Ed., Per Processor Licensing		Microsoft		16541	8	132,328	6,285
Subtotal						132,328	6,285
Client Hardware							
Dell PowerEdge 1300, 600 MHz Pentium III w/ 512KB L2****	220-2332			549	6	3,294	2,988
Dell PowerEdge 1300, 550 MHz Pentium III w/ 512KB L2****	220-2332			549	1	549	498
312MB RAM, 2 DIMMs	311-1194			490	7	3,430	0
3GB LVD SCSI Disk Drive,	340-1395			249	7	1,743	0
3ether Express PRO 100+ ENET Adapter	430-0222	Intel		59	7	413	0
3eLAN 1000 NIC, PCI 32/64-bit	430-0302	Giganet		695	7	4,865	0
3eLAN Giganet 2m Cable	310-0497	Giganet		99	7	693	0
Dell M570 15" Monitor	320-1502			149	7	1,043	0
Subtotal						16,030	3,486
Client Software							
Windows 2000 Server w/ 25 CAL **		Microsoft		738	7	5,166	0
Visual C++ Professional 6.0 Win32 **		Microsoft		549	1	549	0
Subtotal						5,715	0
User Connectivity							
eLAN Giganet Switch	220-4191	Giganet		5848	1	5,848	3,600
Subtotal						5,848	3,600
Other Discounts						(28,867)	0
Total						409182	86429

Notes: * Maintenance included in PowerVault 210S disk pod
 * All Microsoft maintenance is covered by the maintenance costs of Microsoft SQL Server
 ** 10% or minimum 2 spares are added in place of onsite service (products have a five year return-to-vendor warranty) Pricing: 1 - Dell 2 - Microsoft 3 - Mylex 4 - Netlux 5 - ARK PC 6 -
 *** PE1300 substituted with PE1400SC/P3 1Ghz/ 256KB L2

Audited by Tom Sawyer, Performance Metrics Inc.

Three-Year Cost of Ownership: **495,610.70**

tpmC Rating: **57,014.93**

\$ / tpmC: **8.70**

Prices used in TPC benchmarks reflect the actual prices a customer would pay for a one-time purchase of the stated components. Individually negotiated discounts are not permitted. Special prices based on assumptions about past or future purchases are not permitted. All discounts reflect standard pricing policies

MQTh, computed Maximum Qualified Throughput

57014.93

tpmC

% throughput difference, reported & reproducibility runs

0.01%

Response Times (in seconds)

	Average	90 th	Max
- Neworder	0.54	1.12	6.12
- Payment	0.49	1.06	5.02
- Order Status	0.51	1.08	6.02
- Delivery (interactive portion)	0.17	0.39	1.48
- Delivery (deferred portion)	0.19	0.25	0.66
- Stock-Level	0.83	1.45	5.79
- Menu	0.17	0.39	1.52

Response time delay added for emulated components

Menu 0.1

Resp 0.1

Transaction Mix, in percent of total transactions

- New-Order	44.86 %
- Payment	43.03 %
- Order-Status	4.04 %
- Delivery	4.04 %
- Stock-Level	4.03 %

Keying/Think Times (in seconds),

	Min		Average		Max	
- New-Order	18.01	0.0	18.02	12.04	18.28	120.43
- Payment	3.01	0.0	3.02	12.03	3.28	120.45
- Order-Status	2.01	0.0	2.02	10.08	2.23	100.40
- Delivery	2.01	0.0	2.02	5.04	2.27	50.40
- Stock-Level	2.01	0.0	2.02	5.05	2.22	50.41

Test Duration

- Ramp-up time	32 minutes
- Measurement interval	30 minutes
- Number of checkpoints	1
- Checkpoint interval	30 minutes
- Number of transactions (all types) Completed in measurement interval	3,967,075