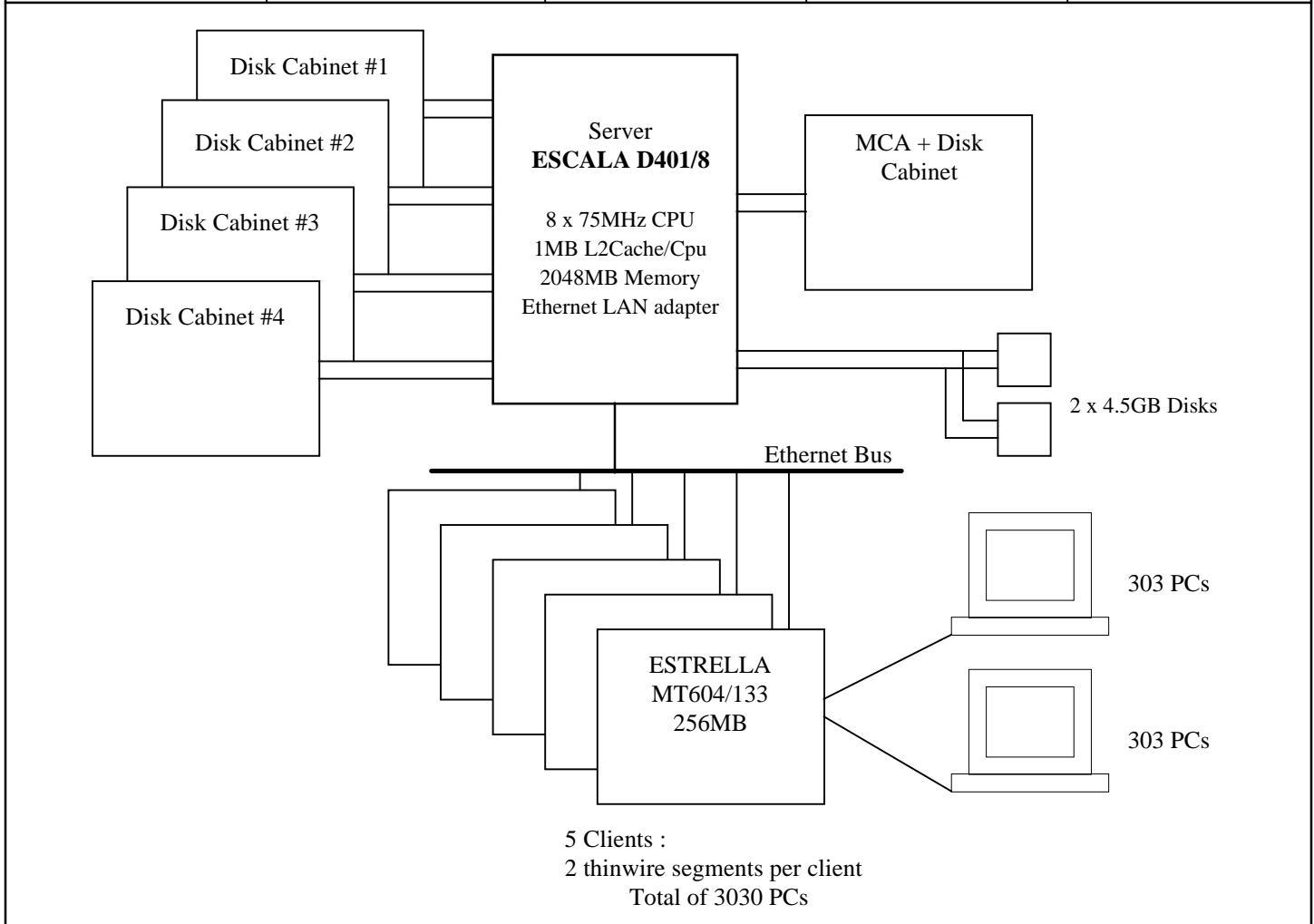


BULL S.A. Oracle	ESCALA D401/8			TPC - C Rev.3.0
				Report Date January 29, 1996
Total System	TPC - C Throughput		Price / Performance	Availability date
\$ 946,649	3,512.97 tpmC		\$269.47 per tpmC	July 30, 1996
Processors	Database Manager	Operating System	Other Software	Number of users
8 Power PC 601 @ 75MHz	Oracle 7 version 7.3	System AIX4.1.3	TCP-IP Tuxedo 4.2.2 V2	3030



System Components	Server		Clients	
	Qty	Type	Qty	Type
Processors	8	Power PC 601 @ 75 MHz	5	Power PC 604 @ 133 MHz
Cache	8	1 MB L2 per Cpu	5	512 KB L2 per Cpu
Memory (MB)	2048 MB		5	256 MB
Disk Controllers	13	SCSI II F/W	5	integrated SCSI adapter
Disk Drives	81	6x2.2GB + 12x4.5GB	5	1.1GB SCSI II
Total Storage (GB)	313.8 GB	+ 63x4.2GB		
CDROM	1	CDROM		
Terminals	1	BQ306 console	5	graphic display

Bull S.A.
Oracle

ESCALA
D401 / 8

TPC - C Rev 3.0

Report Date: January 29, 96

Description	MI	Unit Price	QTY	Extended Price (\$)	Unit monthly	Maint (\$)	Total
ESCALA D401 8WAY PACKAGED SYSTEM	CPKG062U0000	\$176,000	1	\$176,000	\$382	\$18,336	\$194,336
4*2PWPC601,1GB,4 SCSI2 F/W,DK12*4.2GB,CDrom,Eth,ExpCab,AIX unlimit							
SYSTEM CONSOLE BQ 306 (White display, AZERTY kbd, conn. cable)	CSUG002-1100	\$620	1	\$620	\$1	\$48	\$668
3.5M CABLE LOCAL RS232 (D25F/D25M)	CBLG104-1600	\$100	1	\$100	\$0	\$0	\$100
512MB Memory module	CMMG023-0000	\$47,200	2	\$94,400	\$0	\$0	\$94,400
Disk cab. with 14 open bays for disks or medias	CABG015-0000	\$7,800	4	\$31,200	\$32	\$6,144	\$37,344
4.5GB HI SPEED SCSI-2 DISK DRIVE (CRU)	MSUG049-0C00	\$4,500	10	\$45,000	\$26	\$12,480	\$57,480
2.1GB HI SPEED SCSI-2 DISK DRIVE (CRU)	MSUG065-0C00	\$2,200	6	\$13,200	\$12	\$3,456	\$16,656
4.2GB HI SPEED SCSI-2 DISK DRIVE (CRU)	MSUG066-0C00	\$3,300	51	\$168,300	\$19	\$46,512	\$214,812
4.5GB external fixed DISK DRIVE	MSSG017-0000	\$5,450	2	\$10,900	\$55	\$5,280	\$16,180
3"1/2 to 5"1/4 form factor adaptor	CKTG047-0000	\$88	12	\$1,056	\$0	\$0	\$1,056
Supply InterFace Board (SIF10)	PSSG003-0000	\$440	5	\$2,200	\$0	\$0	\$2,200
SCSI-2 F/W DE Ext Disk Adapter	MSCG012-0000	\$1,370	9	\$12,330	\$0	\$0	\$12,330
5M ETHERNET TO TRANSCEIVER CABLE	VCW3630	\$150	1	\$150	\$0	\$0	\$150
1.5m F/W SE/DE adptr CBL	CBLG124-1200	\$180	1	\$180	\$0	\$0	\$180
0.6m DE Dual port DEV/DEV cable	CBLG135-1000	\$90	1	\$90	\$0	\$0	\$90
2M SCSI CABLE (SCSI2-DE basic or exp. cab.to BHS other cabinet)	CBLG102-1300	\$245	8	\$1,960	\$0	\$0	\$1,960
	total server hw			\$557,686		\$92,256	\$649,942
ESTRELLA MINITOWER MT604-133 BASE (PPC604/133, Dkte, ETH)	CPXG133-0000	\$2,925	5	\$14,625	\$34	\$8,160	\$22,785
2*64MB SIMM MEMORY BASE OPTION	CMMG044-0S00	\$8,100	5	\$40,500	\$0	\$0	\$40,500
2*64MB SIMM MEMORY	CMMG044-0000	\$9,000	5	\$45,000		\$0	\$45,000
512KB L2 CACHE MEMORY BASE OPTION	CMMG046-0000	\$800	5	\$4,000	\$0	\$0	\$4,000
1GB SCSI-2 INTERNAL DISK DRIVE	MSUG057-0000	\$1,000	5	\$5,000	\$0	\$0	\$5,000
2GB SCSI-2 INTERNAL DISK DRIVE BASE OPTION	MSUG058-0S00	\$1,850	5	\$9,250	\$0	\$0	\$9,250
600MB INTERNAL 4X CD-ROM DRIVE	CDRG012-0000	\$300	5	\$1,500	\$1	\$240	\$1,740
PCI ETHERNET ADAPTER 10 Mbps	DCCG066-0000	\$100	10	\$1,000	\$0	\$0	\$1,000
5M ETHERNET TO TRANSCEIVER CABLE	VCW3630	\$150	15	\$2,250		\$0	\$2,250
KEYBOARD	KBUG003-0000	\$90	5	\$450		\$0	\$450
3-BUTTON MOUSE	PDUG008-0000	\$50	5	\$250		\$0	\$250
15" COLOR DISPLAY W/ CABLES	DMUG012-0000	\$580	5	\$2,900	\$2	\$480	\$3,380
	total clients hw			\$126,725		\$8,880	\$135,605
AIX(TM) V4.1 ENTRY SERVER - UNLIM. USERS (LIC + M&D CDROM)	EXSG048-TPEU	\$2,800	5	\$14,000	\$14	\$4,200	\$18,200
TUXEDO SYSTEM/T BASE CLASS I	TPDJ200-JABA	\$1,702	5	\$8,512	\$17	\$4,080	\$12,592
TUXEDO SYS/T BASE DPX/20M&D VD	TPDJ200-SJVE	\$208	5	\$1,042	\$0	\$0	\$1,042
	total clients sw			\$23,553		\$8,280	\$31,833
ULTRA SLIMLINE 24 PORT HUB	DEH1477	\$280	131	\$36,680		\$0	\$36,680
ULTRA SLIMLINE 24 PORT HUB (spare 10%)	DEH1477	\$280	14	\$3,920		\$0	\$3,920
	total HUB			\$40,600		\$0	\$40,600
ORACLE RDBMS (SQL*NET Bundled)				\$108,257		\$86,606	\$194,863
	total Oracle			\$108,257		\$86,606	\$194,863
system total							\$1,052,843
15% Discount on Bull HW/SW				\$707,964			-\$106,195
Five Year Cost of ownership							\$946,649
tpmC							3,512.97
\$/tpmc							\$269.47