



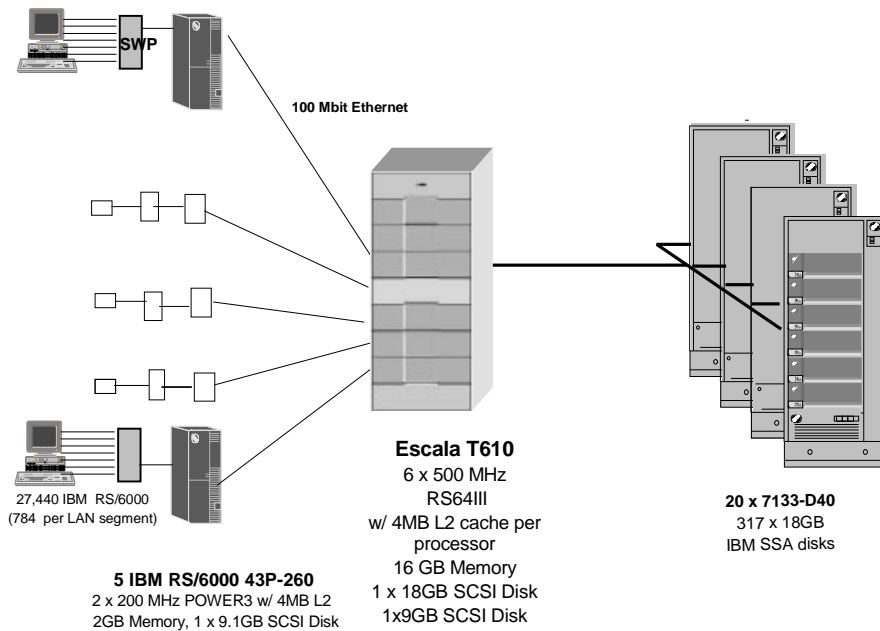
Bull Escala T610 c/s

TPC-C Rev. 3.5

ORACLE

Report Date
June 19, 2000

| | | | | |
|--------------------------|-----------------------------|------------------------------------|--|------------------|
| Total System Cost | TPC-C Throughput | Price/Performance | Availability Date | |
| \$1 980 179 | 33,571.30 tpmC | \$58.98/tpmC | Available | |
| Processors | Database Manager | Operating System | Other Software | No. Users |
| 6 x IBM RS64-III | Oracle Version 8.1.6 | AIX 4.3.3 +APAR IY09807 | Websphere Application Server Enterprise Edition Version 3.0 | 27 440 |



| System Components | Clients | | Server | |
|-------------------------|--------------|--|------------|--|
| | Quantity | Description | Quantity | Description |
| Processor | 5 | 2 x 200 MHz POWER3 w/ 4MB L2 cache each | 1 | 6 x 500 MHz RS64-III w/ 4MB L2 cache each |
| Memory | | 2 GB | | 16 GB |
| Disk Controllers | 5 | SCSI-2 Adapters | 2 | SCSI-2 Adapters |
| | | | 5 | SSA Adapters |
| Disk Drives | 5 | 9.1 GB SCSI | 317 | 18 GB SSA disk |
| | | | 1 | 18 GB SCSI Disk |
| | | | 1 | 9.1 GB SCSI Disk |
| Total Storage | | 9.1 GB each client | | 5,319.68 GB |
| Terminals | 5 | System Console | 1 | System Console |
| Term. Connect | 3 773 | 8-Port Ethernet Hubs | | |



ORACLE

BULL
Escala T610

TPC-C REV 3.5

Report Date: June 19, 2000

Table with columns: Description, Part Number, Source, Unit Price, Quantity, Extended Price, 5-year Maint. Price. Rows include Server Hardware, Server Software, Client Hardware, Client Software, and User Connectivity.

Notes: Pricing: 1-Bull 2-IBM 3-Oracle 4-NBase 5-NetcruiserTech.Inc
Audited by Francois Raab of InfoSizing

Five-Year Cost of Ownership: \$1 980 179
tpmC Rating: 33571,30
\$/ tpmC: 58,98

Prices used in TPC benchmarks reflect the actual prices a customer would pay for a one-time purchase of the stated components. Individually negotiated discounts are not permitted. Special prices based on assumptions about past or future purchases are not permitted. All discounts reflects standard pricing policies for the listed components. For complete details, see the pricing sections of the TPC benchmark specifications.If you find that the stated prices are not available according to these terms, please inform the TPC at pricing@tpc.org. Thank you.

Numerical Quantities Summary for the Bull ESCALA T610

MQTH, computed Maximum Qualified Throughput: 33,571.30 tpmC

Repeatability Run: 33,533.57 tpmC 0.11% difference

| <u>Response Times (in seconds)</u> | <u>90th %</u> | <u>Average</u> | <u>Maximum</u> |
|------------------------------------|---------------|----------------|----------------|
| New Order | 2.15 | 1.04 | 122.45 |
| Payment | 1.97 | 0.95 | 143.12 |
| Order-Status | 2.03 | 1.00 | 98.19 |
| Delivery (interactive) | 0.19 | 0.11 | 0.35 |
| Delivery (deferred) | 0.21 | 0.14 | 2.89 |
| Stock-Level | 2.24 | 1.15 | 87.78 |
| Menu | 0.01 | 0.00 | 2.33 |

| <u>Transaction Mix, in percent of total transactions</u> | <u>Percent</u> |
|--|----------------|
| New Order | 44.81% |
| Payment | 43.01% |
| Order-Status | 4.05% |
| Delivery | 4.05% |
| Stock-Level | 4.05% |

| <u>Keying/Think Times (in seconds)</u> | <u>Min.</u> | <u>Average</u> | <u>Max.</u> |
|--|-------------|----------------|--------------|
| New Order | 18.00/0.01 | 18.01/12.03 | 18.08/120.30 |
| Payment | 3.00/0.01 | 3.01/12.03 | 3.08/120.31 |
| Order-Status | 2.00/0.01 | 2.01/10.04 | 2.07/100.30 |
| Delivery | 2.00/0.01 | 2.01/5.01 | 2.08/50.30 |
| Stock-Level | 2.00/0.01 | 2.01/5.06 | 2.08/50.30 |

Test Duration

| | |
|--|---------------|
| Ramp-up Time | 37 min 02 sec |
| Measurement interval | 30 minutes |
| Transactions during measurement interval (all types) | 2 247 253 |
| Ramp-down time | 10 minutes |

Checkpointing

| | |
|-----------------------|---------------|
| Number of checkpoints | 1 |
| Checkpoint interval | 29 min 44 sec |
