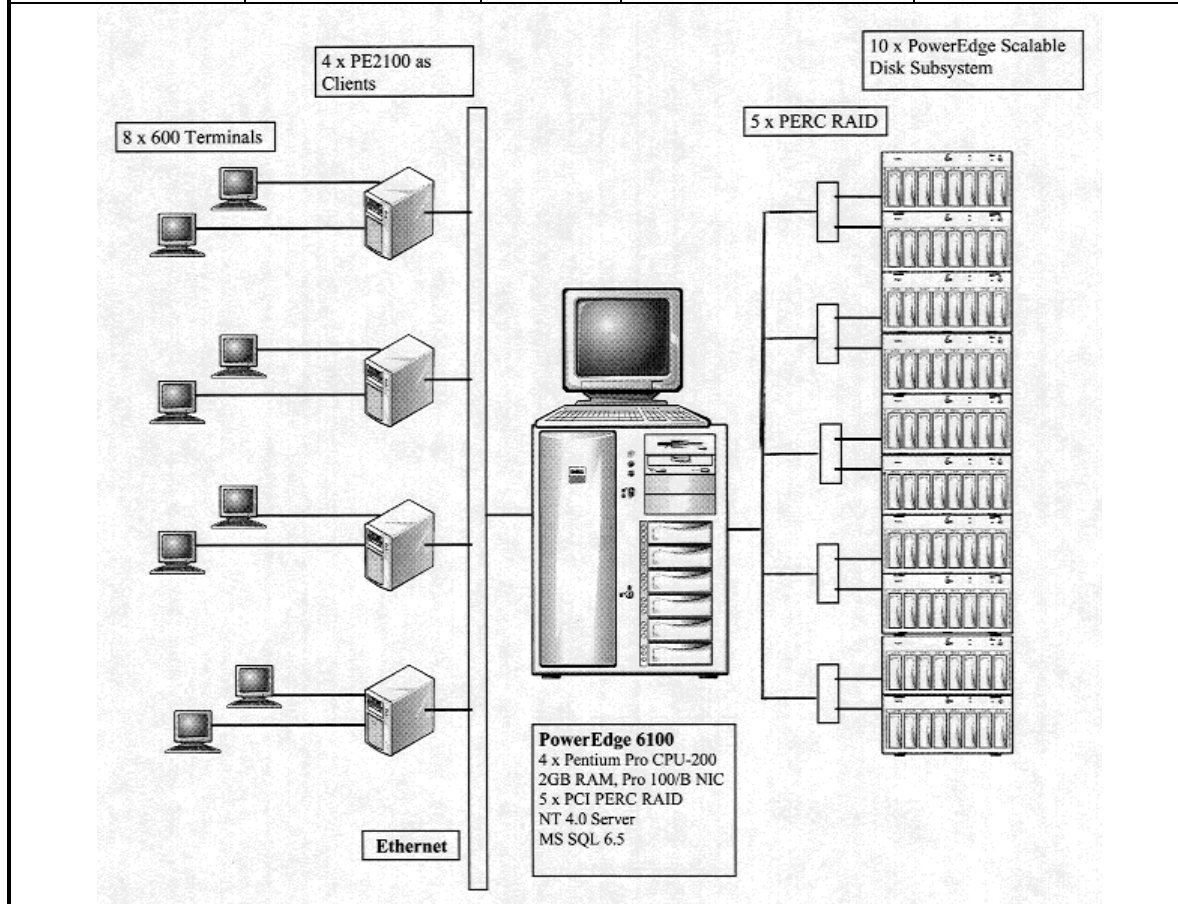


Dell Computer Corporation		PowerEdge 6100		TPC-C Rev 3.2 Report Date March 12, 1997	
Total System Cost		TPC-C Throughput	Price/Performance	Availability Date	
\$327,234		7693.03 tpmC	\$42.53 /tpmC	April 11, 1997	
Processors	Database Manager	Operating System	Other Software	Number of Users	
4 x PentiumPro® 200 MHz 512 K Cache	Microsoft SQL Server 6.5 SP3 (247)	Microsoft Windows NT 4.0	Microsoft Internet Information Server Microsoft Visual C++	6400	



System Component	Server		Clients	
Processors	4	Pentium Pro® 200MHz	4	Pentium Pro® @ 200MHz
Cache		512 KB		256 KB
Memory		2048 MB	4	128 MB
Disk Controllers	6	(5)Dell PERC & (1)Adaptec		Adaptec On-Board
Disk Drives	38 46	9 GB 4 GB	4	2 GB
Total Storage		451 GB		2 GB
Other	1 1 1	CD-ROM PCI Ethernet NIC Tape Drive	4 12	CD-ROM PCI Ethernet NIC

Dell Computer Corporation	Power Edge 6100 Client/Server	TPC-C REV 3.2.3 EXECUTIVE SUMMARY PAGE 2 OF 2 Report Date: 15-March-1997
---------------------------	-------------------------------	--

Description	Part Number	Third Party	Unit Price	Qty	Extended Price	5 yr. Maint. Price	
Server Hardware		Brand	Pricing				
Dell PowerEdge 6100	220-4169	1	8,296	1	8,296	2,483	
Second Processor Card	311-1417	1	500	1	500	0	
PentiumPro/200 w/512K	311-1416	1	1,499	3	4,497	0	
2 GB ECC RAM	311-1424	1	30,999	1	30,999	0	
PERC Raid Controller	340-6104	1	1,299	5	6,495	0	
32MB Parity Cache for PERC	311-1409	1	199	5	995	0	
Intel Pro 100 Network Interface Card	430-0008	1	109	1	109	0	
Readyware fee for NIC	365-1234	1	15	1	15	0	
4/8 GB DAT Drive	340-1300	1	749	1	749	0	
Ultrascan 800 HS Monitor	320-5401	1	399	1	399	0	
PowerEdge Scalable Disk System	220-9031	1	1,449	10	14,490	22,830	
9GB Pluggable UW SCSI-3 Disk Drive	340-5889	1	1,799	38	68,362	0	
4GB Pluggable UW SCSI-3 Disk Drive	340-7676	1	1,099	46	50,554	0	
SCSI Cables	310-0052	1	129	10	1,290	0	
Subtotal					187,750	25,313	
Server Software							
MS SQL Server 6.5 + 5 Users *		Microsoft	2	1,399	1	1,399	10,475
MS Windows NT Server 4.0 w/ 10 CAL	430-2185	Microsoft	1	799	1	799	0
MS Internet Connector License		Microsoft	2	2,999	1	2,999	0
Subtotal					5,197	10,475	
Client Hardware							
Dell PowerEdge 2100	220-2319	1	1,855	4	7,420	7,932	
Upgrade to 128MB RAM	311-0171	1	799	4	3,196	0	
Intel Pro 100 Network Interface Card	430-0008	1	109	12	1,308	0	
Readyware fee for NIC (per machine)	365-1234	1	15	4	60	0	
2GB UW SCSI-3 Disk Drive	340-0069	1	529	4	2,116	0	
Ultrascan 800 HS Monitor	320-5401	1	399	4	1,596	0	
Subtotal					15,696	7,932	
Client Software							
MS Window NT Server 4.0 w/ 10 CAL	430-2185	Microsoft	1	799	4	3,196	0
MS SQL Server Programmer's Toolkit		Microsoft	2	499	1	499	0
MS Visual C++ v. 4.2		Microsoft	2	499	1	499	0
Subtotal					4,194	0	
User Connectivity							
Linksys 100Mb Hub **	14361-36	1	1,159	3	3,477	0	
Allied Telesyn 24-port Hub **	31158-36	1	224	300	67,200	0	
Subtotal					70,677	0	
Other Discounts					0	0	
Total					\$283,514	\$43,720	

Notes: * All Microsoft maintenance is covered by the maintenance costs of Microsoft SQL Server ** 10% or minimum 2 spares are added in place of onsite service (products have a five year return-to-vendor warranty) Pricing: 1 - Dell 2 - Microsoft Audited by Richard Gimarc of Performance Metrics, Inc.	Five-Year Cost of Ownership:	\$327,234
	tpmC Rating:	7693.03
	\$ / tpmC:	42.53

Prices used in TPC benchmarks reflect the actual prices a customer would pay for a one-time purchase of the stated components. Individually negotiated discounts are not permitted. Special prices based on assumptions about past or future purchases are not permitted. All discounts reflect standard pricing policies for the listed components. For complete details, see the pricing sections of the TPC benchmark specifications. If you find that the stated prices are not available according to these items, please inform the TPC at pricing@tpc.org.

MQTh, computed Maximum Qualified Throughput 7693.03
 % throughput difference, reported & reproducibility runs tpmC 0.7%

Response Times (in seconds)	90th	Average	Max
- Neworder	1.70	1.11	6.34
- Payment	1.50	0.87	4.45
- Order Status	2.00	1.35	6.59
- Delivery (interactive portion)	0.30	0.28	0.89
- Delivery (deferred portion)	2.73	1.34	135.54
- Stock-Level	6.60	4.45	11.41
- Menu	0.32	0.19	1.25

Response time delay added for emulated components Menu 0.1
 Resp 0.1

Transaction Mix, in percent of total transactions

- New-Order	44.84 %
- Payment	43.08 %
- Order-Status	4.03 %
- Delivery	4.01 %
- Stock-Level	4.03 %

Keying/Think Times (in seconds),	Min		Average		Max	
- New-Order	18.02	0.0	18.02	12.07	18.03	120.60
- Payment	3.02	0.0	3.02	12.10	3.03	120.61
- Order-Status	2.01	0.0	2.02	10.12	2.03	100.60
- Delivery	2.01	0.0	2.02	5.06	2.03	50.60
- Stock-Level	2.01	0.0	2.02	5.07	2.03	50.60

Test Duration

- Ramp-up time	34 minutes
- Measurement interval	30 minutes
- Number of checkpoints	1
- Checkpoint interval	30 minutes
- Number of transactions (all types) completed in measurement interval	514,752

(and all other numerical quantities required in the Full Disclosure Report)