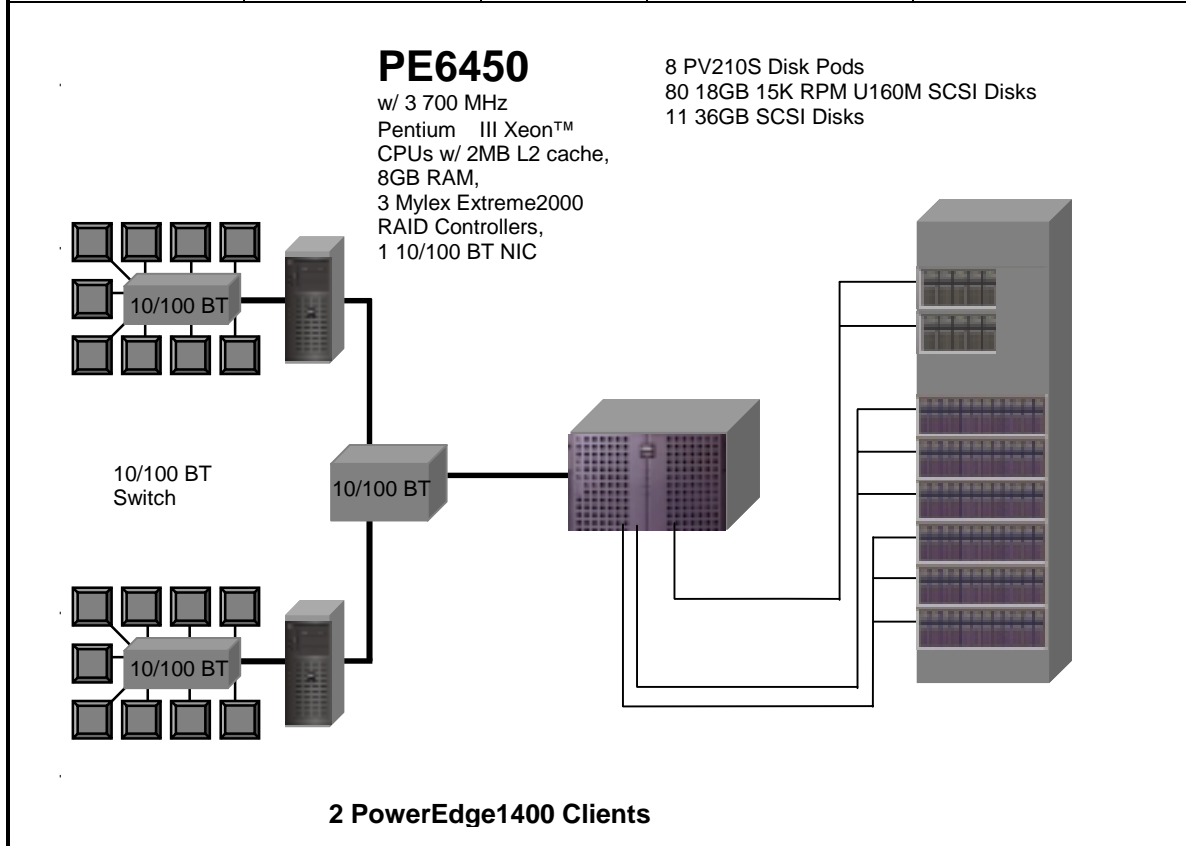


<b>DELL</b>		<b>PowerEdge 6450/3P</b> Client/Server w/2 PE1400 Front Ends		TPC-C Rev 3.5 Report Date Dec 20, 2000
Total System Cost		TPC-C Throughput	Price/Performance	Availability Date
<b>\$246,671</b>		<b>24925.43 tpmC</b>	<b>\$9.90/ tpmC</b>	<b>Dec 20, 2000</b>
Processors	Database Manager	OS	Other Software	Number of Users
3 x Pentium III Xeon™ Processors 700 MHz 2MB L2 Cache	Microsoft SQL Server 2000 Enterprise Edition	Microsoft Windows 2000 Advanced Server	Windows 2000 Server w/ COM+ Internet Information Server 5.0 Microsoft Visual C++	<b>19,840</b>



System Component	Server		Each Client	
Processors	3	Pentium III Xeon™ @ 700MHz	2	Pentium III @866MHz
Cache		2MB		w/ 256 KB L2
Memory		8192 MB		512 MB
Disk Controllers	3	Mylex ExtremeRAID 2000	1	Adaptec On-Board
	2	Adaptec On-Board		
Disk Drives	80	18 GB SCSI (16.758GB useable)	1	9 GB
	11	36 GB SCSI		
	1	9 GB SCSI (8.195GB useable)		
Total Storage		1,717.58 GB		9 GB
Other	1	10/100 BT NIC	1	
	1	Internal 10/100 BT NIC	1	
	1	CD-ROM	1	
	1	External DAT		

Dell	PowerEdge 6450/3P			TPC-C REV 3.5 EXECUTIVE SUMMARY PAGE 2 OF 2			
	Client/Server			Report Date: 20-Dec-00			
Description	Part Number	Third Party	Unit Price	Qty	Extended Price	5 yr. Maint. Price	
<b>Server Hardware</b>							
		<b>Brand</b>	<b>Pricing</b>				
Dell PowerEdge 6450	220-0663			1	5,933	1	1,999
Pentium III Xeon 700 MHz / 2MB L2 - 2 processors	311-0834			1	2,785	1	0
Pentium III Xeon 700 MHz / 2MB L2 - Customer kit	311-0893			1	2,785	1	0
8 GB RAM, 16 x 512MB DIMMS	311-4118			1	15,722	1	0
9 GB U160M SCSI 10K RPM Hard Drive	340-6647			1	289	1	0
Intel Pro 100+ NIC	430-0222	Intel		1	59	1	0
DDS4 External TBU	340-7420			1	999	1	0
Dell 15" Monitor	320-0077			1	199	1	0
Extreme RAID 2000 PCI SCSI 4 channel RAID controller***	E2000-4-32NB	Mylex		3	1,872	5	0
Back-UPS Office 650	001332	APC		1	200	10	680
					<b>Subtotal</b>		<b>2,679</b>
<b>PowerVault Disk Subsystem</b>							
PV210S, U3 SCSI, PS, Rack mount	220-4099, etc.			1	2,299	8	12,112
SCSI Cables	310-0313			1	49	8	0
18 GB U160M SMRT SCSI 15K RPM Hard Drive *	340-3232			1	739	80	0
36GB, SCSI Hard Drive*	340-2322			1	579	11	0
42U Rack	220-0605			1	1,682	1	0
					<b>Subtotal</b>		<b>12,112</b>
<b>Server Software</b>							
SQL Server 2000 Ent Edition, Per processor licensing **		Microsoft		2	17,279	3	10,475
Windows 2000 Advanced Server, 25 Client Licenses **		Microsoft		2	2,399	1	0
					<b>Subtotal</b>		<b>10,475</b>
<b>Client Hardware</b>							
Dell PowerEdge 1400, 866 MHz Pentium III w/ 256KB L2	220-1012			1	1,052	2	3,370
512MB RAM, 4 DIMMs	311-1194			1	662	2	0
9GB U160M SCSI Hard Drive,	340-1960			1	214	2	0
Ether Express PRO 100+ Ethernet Adapter	430-0222	Intel		1	59	2	0
Dell 15" Monitor	320-1502			1	199	2	0
					<b>Subtotal</b>		<b>3,370</b>
<b>Client Software</b>							
Windows 2000 Server, 5 Client Licenses **		Microsoft		2	738	2	0
Visual C++ Professional 6.0 Win32 **		Microsoft		2	549	1	0
					<b>Subtotal</b>		<b>0</b>
<b>User Connectivity</b>							
8 Port Ethernet Switch ***	CT22028D2	ArkPC		4	61	7	0
17 Port 10BaseT Ethernet Hub ***	CT1017D1	ArkPC		4	31	1,352	0
8 Port 10BaseT Ethernet Hub ***	CT1008D1	ArkPC		4	17	33	0
					<b>Subtotal</b>		<b>0</b>
					<b>Other Discounts</b>		<b>0</b>
					<b>Total</b>		<b>\$28,636</b>
Notes: * Maint. included in PowerVault 210S disk pod or PV650F/630F fibre channel disk pod					<b>Five-Year Cost of Ownership: \$246,671</b>		
** All Microsoft maintenance is covered by the maintenance costs of Microsoft SQL Server					<b>tpmC Rating: 24925</b>		
*** 10% or minimum 2 spares are added in place of onsite service (products have a five year return-to-vendor warranty) Pricing: 1 - Dell 2 - Microsoft 3 - Mylex 4 - ArkPC					<b>\$/ tpmC: 9.90</b>		
Audited by Tom Sawyer, Performance Metrics Inc.							
Prices used in TPC benchmarks reflect the actual prices a customer would pay for a one-time purchase of the stated components. Individually negotiated discounts are not permitted. Special prices based on assumptions about past or future purchases are not permitted. All discounts reflect standard pricing policies for the listed components. For complete details, see the pricing sections of the TPC benchmark specifications. If you find that the stated prices are not available according to these items, please inform the TPC at pricing@tpc.org.							

<b>MQTh</b> , computed Maximum Qualified Throughput		24925.43	
		tpmC	
% throughput difference, reported & reproducibility runs		0.11%	
<b>Response Times</b> (in seconds)	Average	90th	Max
- Neworder	0.30	0.43	2.82
- Payment	0.20	0.32	2.81
- Order Status	0.24	0.36	1.55
- Delivery (interactive portion)	0.12	0.15	1.21
- Delivery (deferred portion)	0.24	0.38	0.99
- Stock-Level	1.14	1.77	5.17
- Menu	0.13	0.15	1.21
Response time delay added for emulated components		Menu 0.1	Resp 0.1
<b>Transaction Mix</b> , in percent of total transactions			
- New-Order			44.86%
- Payment			43.00 %
- Order-Status			4.04 %
- Delivery			4.04 %
- Stock-Level			4.05 %
<b>Keying/Think Times</b> (in seconds),	Min	Average	Max
- New-Order	18.01 0.0	18.02 12.03	18.04 120.40
- Payment	3.01 0.0	3.02 12.04	3.04 120.41
- Order-Status	2.01 0.0	2.02 10.06	2.03 100.40
- Delivery	2.01 0.0	2.02 5.05	2.03 50.40
- Stock-Level	2.01 0.0	2.02 5.05	2.04 50.40
<b>Test Duration</b>			
- Ramp-up time			5 minutes
- Measurement interval			30 minutes
- Number of checkpoints			1
- Checkpoint interval			30 minutes
- Number of transactions (all types) completed in measurement interval			1,734,129