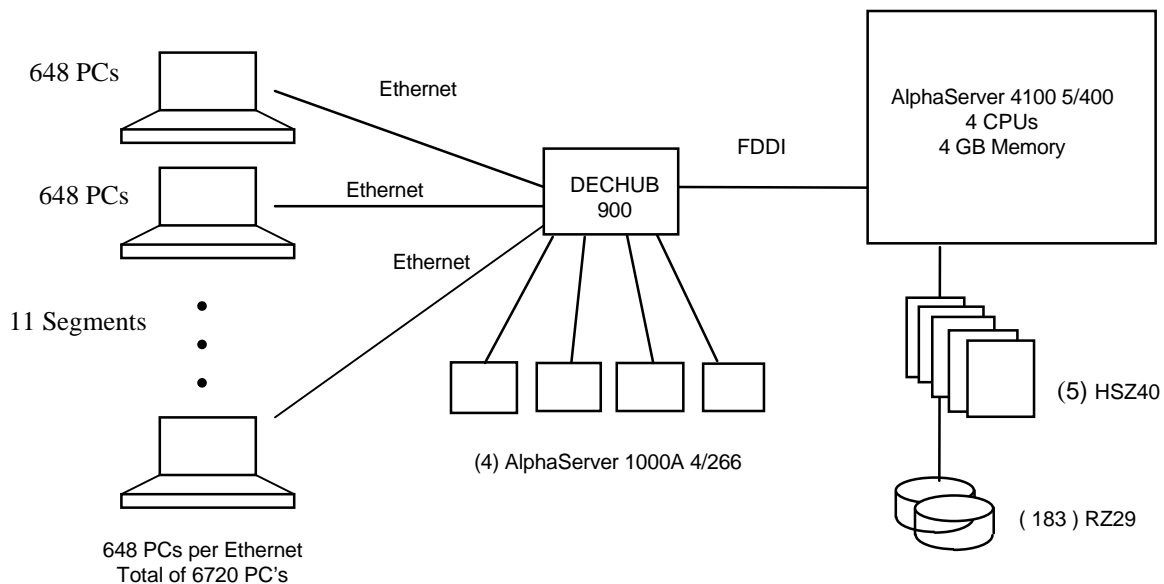


Digital Equipment Corporation and Oracle Corporation	Digital AlphaServer 4100 5/400 4 CPUs C/S and 4 AlphaServer 1000A 4/266 Front-End Systems		TPC-C Rev 3.2	
			Report Date: 23 August 1996	
Total System Cost	TPC-C Throughput	Price/Performance	Availability Date	
\$1,386,950	7985.15 tpmC	\$173.69/tpmC	February 1997	
Processors	Database Manager	Operating System	Other Software	Number of Users
4 400 MHz DECchip 21164	Oracle Rdb7 V7.0	OpenVMS V7.1	DEC ACMS V4.0 ORACLE CDD V5.3	6,720



System Components	Server		Client (each of 4)	
	Qty	Type	Qty	Type
Database Nodes	1	AlphaServer 4100 5/400	1	AlphaServer 1000A 4/266
Processors	4	400 MHz DECchip 21164	1	266 MHz DECchip 21064A
Cache Memory		4 MB		512 KB
Memory (MB)	4	1 GB		256 MB
Disk Controllers	5	KZPSA	1	2.1 GB Disk
Disks	183	4.3 GB Disks		
Total Disk Storage		787 GB		

Digital Equipment Corporation	Digital AlphaServer 4100 5/400	TPC-C REV 3.2 EXECUTIVE SUMMARY PAGE 2 OF 2
	4 CPU with 4 AS1000A 4/266	Report Date: 23-Aug-1996

Description	Part Number	Third Party	Unit Price	Qty	Extended Price	5 yr. Maint. Price
Server Hardware						
Digital AlphaServer 4100 5/300 Ped 120V VMS 1GB	DY-51FDB-FA	Digital	105,236	1	105,236	0
AS4xxx 300 Mhz VMS SMP Upgrade	KN302-BB	Digital	10,950	3	32,850	0
AS4xxx 5/300-5/400 CPU Upgrade	304XR-BW	Digital	8,760	4	35,040	0
1GB Memory Option	MS330-FA	Digital	67,276	3	201,828	0
AS4xxx Power Supp-ly	H7291-AA	Digital	803	2	1,606	0
PCI-Host Bus Adapter	KZPSA-BB	Digital	940	5	4,700	0
PCI-SCSI Host Bus Adapter, FNs	KZPAA-AA	Digital	308	1	308	0
SW-SCSI Array Contrl 42 Device	HSZ40-CA	Digital	6,060	4	24,240	0
SW SCSI Array Contrl 42 Device	HSZ40-CF	Digital	10,720	1	10,720	0
8GB DAT w/Snap-in Carrier	TLZ07-VA	Digital	1,570	1	1,570	0
DEChub 900 Multiswitch, US/JA	DMHUB-AA	Digital	3,067	1	3,067	0
DECswitch 900EF	DEFBA-MA	Digital	5,996	3	17,988	0
14 Port UTP Concentrator	DEFHU-MU	Digital	4,912	1	4,912	0
DEChub 900 Poweer Supply	H7894-MA	Digital	760	1	760	0
HUBwatch U/A Trad License	QL-0MWA9-AA	Digital	2,220	1	2,220	0
PCI to FDDI adapter SAS, MMF, SC	DEFPA-UA	Digital	550	1	550	0
5M Cable, SCSI-3 "P" 1S/1R	BN21K-10	Digital	167	5	835	0
0GB SCSI cab for 24 shelf 208V	SW800-AA	Digital	5,550	2	11,100	0
Stor Shelf/metric w/ps SCSI	BA350-JA	Digital	1,400	30	42,000	0
SWxxx Control shelf w/power	BA350-MB	Digital	1,530	5	7,650	0
1.0M Cable, SCSI-2 "A"	BN21H-01	Digital	67	15	1,005	0
2.0M Cable, SCSI-2 "A"	BN21H-02	Digital	71	15	1,065	0
4.3 GB SCSI Disk	RZ29B-VA	Digital	1,612	202	325,624	0
15 KVA 3 Phase Exide UPS Unit	4N-AEAAAN-BA	Digital	15,286	1	15,286	0
White, North American, No key	VT510-AA	Digital	330	1	330	0
US/UK 108 Key Keyboard	LK411-AA	Digital	55	1	55	0
Subtotal					852,545	0
Client Hardware						
AlphaServer 1000A 4/266	PB74B-MA	Digital	13,855	4	55,420	0
AlphaServer 1000 128 mb Memory Exp	PB7MA-AD	Digital	5,139	4	20,556	0
AlphaServer 1000 64 mb Memory Exp	PB7MA-AC	Digital	2,569	4	10,276	0
14" APM Color Mo., 28MM MPR2	FR-PCXCV-VW	Digital	299	4	1,196	0
Subtotal					87,448	0
Client Software						
Digital VMS Untd user License	QL-MT2AE-AA	Digital	9,936	4	39,744	0
ACMS RT V/V Trad License	QL-2Q1AE-AA	Digital	6,800	3	20,400	0
ACMS DV V/V License	QL-2PZAE-AA	Digital	9,570	1	9,570	0
ACMS DV Media & Documentation	QA-079AA-GZ	Digital	633	1	633	0
DEC Forms Development for OVMS License	QL-0J8AE-AA	Digital	5,489	1	5,489	0
DEC Forms CD (SW & Doc.)	QA-03XAA-H8	Digital	676	1	676	0
Oracle RDB7 RDBMS & 5 Yr Support	Oracle	Oracle	255,280	1	255,280	0
Oracle CDD/Repository & 5 Yr Support	Oracle	Oracle	2,250	1	2,250	1,800
Oracle Programmer/2000 for RDB7	Oracle	Oracle	745	1	745	1,125
Subtotal					334,787	2,925
Warranties						
Extended Warranty 13-24 Months	FM-WRNTY-24	Digital	2,000	1		2,000
Extended Warranty 13-36 Months	FM-WRNTY-36	Digital	4,000	1		4,000
Extended Warranty 13-48 Months	FM-WRNTY-48	Digital	6,160	1		6,160
Extended Warranty 13-60 Months	FM-WRNTY-60	Digital	6,225	1		6,225
Subtotal						18,385
User Connectivity						
Allied Tel 24 port HUB	DEH1487	Micro Warehse	295	308	90,860	
Subtotal					90,860	0
Total					\$1,365,640	\$21,310

Notes:	
1=Digital 2=Oracle, 3=Micro Wrhse, Inc. Audited by Information Paradigm, Inc.	Five-Year Cost of Ownership: \$1,386,950 tpmC Rating: 7985.15 \$/ tpmC: 173.69