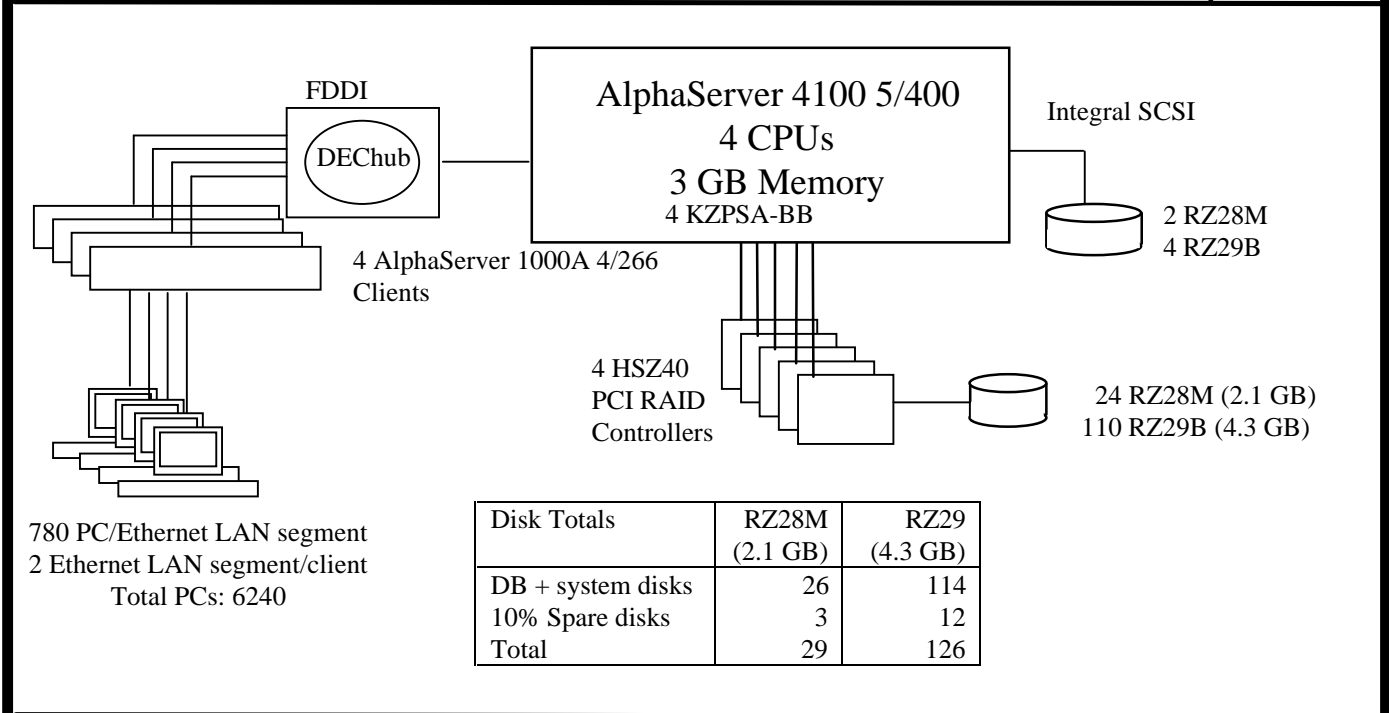


Digital Equipment Corporation	Digital AlphaServer 4100 5/400 4 CPUs C/S and 4 AlphaServer 1000A 4/266 Front-End Systems	TPC-C Rev 3.2
		Report Date: August 1996
Sybase, Inc.		

Total System Cost	TPC-C Throughput	Price/Performance	Availability Date
\$1,155,226	7598.63 tpmC	\$152.04/tpmC	August 1996

Processors	Database Manager	Operating System	Other Software	Number of Users
4 400 MHz DECchip 21164	Sybase SQL Server 11.0	Digital UNIX V3.2F-2	BEA TUXEDO System/T v4.2	6240



System Components	Server		Client (each of 4)	
	Qty	Type	Qty	Type
Database Nodes	1	AlphaServer 4100 5/400	1	AlphaServer 1000A 4/266
Processors	4	400 MHz DECchip 21164	1	266 MHz DECchip 21064A
Cache Memory	4	MB		512 KB
Memory	6	512 MB	4	128 MB
Total Memory	3	GB	2	RZ28
Disk Controllers	4	PCI		
Disks	26	2.1 GB Disks		
	114	4.3 GB Disks		
Total Disk Storage	544.8	GB		

Description	Part Number	Third Party	Unit Price	Qty	Extended Price	5 yr. Maint. Price
Server Hardware						
		Brand	Pricing			
Digital AlphaServer 4100 5/300 Ped 120V UNIX 1GB	DY-51FDB-FA	Digital	1	105,236	1	105,236
Asxxx 1GB Memory Option	MS330-FA	Digital	1	46,080	2	92,160
AS4xxx Power Supply	H7291-AA	Digital	1	803	1	803
AS4xxx 300 Mhz UNIX SMP Upgrade	KN302-BA	Digital	1	10,950	3	32,850
AS4xxx 5/300-5/400 CPU upgrade	304XR-BW	Digital	1	7,300	4	29,200
PCI-Host Bus Adapter	KZPSA-BB	Digital	1	865	4	3,460
SW 6ch SCSI 36/42 Dev raid 0	HSZ40-CA	Digital	1	6,064	4	24,256
8GB DAT w/Snap-in Carrier	TLZ07-VA	Digital	1	1,579	1	1,579
DEChub 900 Multiswitch, US/JA	DMHUB-AA	Digital	1	3,067	1	3,067
14 Port UTP Concentrator	DEFHU-MU	Digital	1	4,912	1	4,912
DEChub 900 Power Supply	H7894-MA	Digital	1	761	1	761
HUBwatch U/A Trad License	QL-0MWA9-AA	Digital	1	2,220	1	2,220
PCI to FDDI adapter SAS, MMF, SC	DEFFA-UA	Digital	1	549	1	549
0GB SCSI cab for 24 shelf 208V	SW800-AA	Digital	1	5,545	1	5,545
Stor Shelf/metric w/ps SCSI	BA350-JA	Digital	1	1,403	24	33,672
SWxxx Controlr shelf w/power	BA350-MB	Digital	1	1,530	4	6,120
1.0M Cable, SCSI-2 "A"	BN21H-01	Digital	1	67	12	804
2.0M Cable, SCSI-2 "A"	Bn21H-02	Digital	1	71	12	852
5m Cable, SCSI-3 "P" 1S/1R	BN21K-10	Digital	1	167	4	668
4.3GB Disk w/snap-in carrier	RZ29B-VA	Digital	1	1,570	126	197,820
2.1Gbf 3.5" DK in Mod Carrier	RZ28M-VA	Digital	1	1,000	28	28,000
White, North American, No key	VT510-AA	Digital	1	325	1	325
Subtotal					574,859	
Warranties						
Extended Warranty Months 13-24	FM-WRNTY-24	Digital	1	421	1	421
Extended Warranty Months 13-36	FM-WRNTY-36	Digital	1	842	1	842
Extended Warranty Months 13-48	FM-WRNTY-48	Digital	1	1,292	1	1,292
Extended Warranty Months 13-60	FM-WRNTY-60	Digital	1	1,331	1	1,331
Subtotal					3,886	
Client Hardware						
AlphaServer 1000A 4/266	PB74B-MA	Digital	1	11,388	4	45,552
DataRam 128MB Memory module	DRD70/128	Bay State	2	3,850	16	61,600
2.1Gbf 3.5" DK in Mod Carrier	RZ28M-VA	Digital	1	1,000	4	4,000
PCI Bus, 32 Bit, PC NIC	DE435-AA	Digital	1	141	4	564
PCI to FDDI Adptr SAS, TP-PMD	DEFFA-UA	Digital	1	549	4	2,196
14" APM Color Mo., .28mm MPR2	FR-PCXCXV-VW	Digital	1	300	4	1,200
PS/2 North American Keyboard	LK471-AA	Digital	1	55	4	220
Subtotal					115,332	
Client Software						
BEA Tuxedo R4.2.2	BEA TP Mo	BEA Systems	3	7,500	4	30,000
1 Yr BEA Warranty for Tuxedo	BEA TP Mo	BEA Systems	3	6,600	5	33,000
Sybase Open Client/DB Lib	Sybase	Sybase	4	795	1	795
Sybase SQL Server RDBMS Software	Sybase	Sybase	4	151,580	1	151,580
1Yr Sybase Support/Includes Open Client Suppt	Sybase	Sybase	4	25,663	5	128,316
Subtotal					182,375	161,316
Warranties						
Extended Warranty 13-24 Months	FM-WRNTY-24	Digital	1	3,585	1	3,585
Extended Warranty 13-36 Months	FM-WRNTY-36	Digital	1	7,170	1	7,170
Extended Warranty 13-48 Months	FM-WRNTY-48	Digital	1	10,999	1	10,999
Extended Warranty 13-60 Months	FM-WRNTY-60	Digital	1	11,334	1	11,334
Subtotal					33,088	
User Connectivity						
Allied Tel 24 port HUB	DEH1487	Allied Tel.	5	295	286	84,370
Subtotal					84,370	
Total					\$956,936	\$198,290

Notes: 1=Digital 2=Bay State Comp Grp, 3=BEA Systems, 4= Sybase, 5=DataComm Wrhse Audited by Information Paradigm, Inc.	Five-Year Cost of Ownership: \$1,155,226 tpmC Rating: 7598 \$ / tpmC: 152.04
--	---