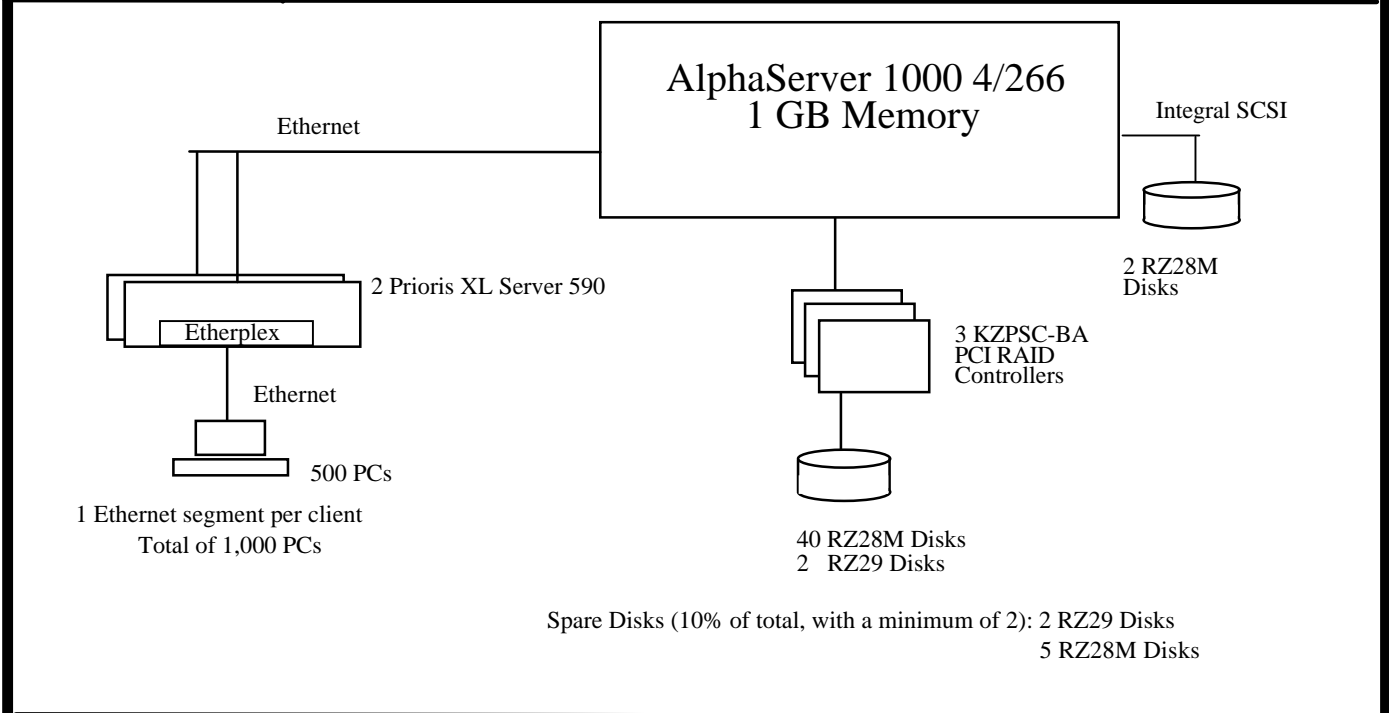


Digital Equipment Corporation	Digital AlphaServer 1000 4/266 C/S and 2 Digital Prioris XL Server 590 Front-End Systems		TPC-C Rev 3.0
			Report Date: 12 Dec 1995

Total System Cost	TPC-C Throughput	Price/Performance	Availability Date
\$264,653	1153.70 tpmC	\$229/tpmC	June 1996

Processors	Database Manager	Operating System	Other Software	Number of Users
1 266 MHz DECchip 21064A	Microsoft SQL Server 6.5	Windows NT 3.51	Visigenic ODBC V2.0	1,000



System Components	Server		Client (each of 2)	
	Qty	Type	Qty	Type
Database Nodes	1	AlphaServer 1000 4/266	1	Digital Prioris XL Server 590
Processors	1	266 Mhz DECchip 21064A	1	Intel Pentium 90 MHz
Cache Memory		2 MB		256 KB
Memory	4	256 MB	3	64 MB SIMMS
			1	32 MB SIMMS
Total Memory		1.024 GB		224 MB
Disk Controllers	3	KZPSC-BA (RAID)		On-board SCSI
Disks	42	2.1 GB RZ28M Disks	1	1.05 GB Disk
	2	4.3 GB RZ29 Disks		1.05 GB
		96.8 GB		
Terminals	1,000	Multia Multi-Client PC		

**Digital
Equipment
Corporation**

**Digital AlphaServer 1000 4/266
C/S with 2 Digital Prioris XL Server
590 Front-End Systems**

TPC-C Rev 3.0

Report Date: 12 Dec 1995

SERVER HARDWARE:	Part Num.	Unit Price	Qty	Dist. Disc.	Ext. Price	Service Level	Maint \$	# Y	5 Yrs Service	5 Year Cost
Digital AlphaServer 1000 4/266 NTS	PB72C-AA	\$7,580	1	(\$1,516)	\$6,064.00	NA	\$0.00	0	INC	\$6,064
YR 1-5 X9 4HR - AS1000	FM-MK4HR-60	\$3,085	1	\$0	\$3,085.00	A.C.	\$0.00	5	INC	\$3,085
S/W 5Y -AS1000 4/266 WNT	FM-MKNTS-60	\$2,006	1	\$0	\$2,006.00	A.C.	\$0.00	5	INC	\$2,006
AlphaServer 1000 16 MB Memory	PB7MA-AA	\$1,300	1	(\$260)	\$1,040.00	A.C.	\$0.00	5	INC	\$1,040
VisionTek 64 MB SIMM 256 MB TOT*	QS-HQ1AC-HJ	\$10,285	5	\$0	\$51,425.00	A.C.	\$0.00	5	INC	\$51,425
EISA, 32 Bit, B. M. PC NIC	DE425-AA	\$299	1	(\$30)	\$269.10	A.C.	\$0.00	5	INC	\$269
StorageWorks PCI RAID Ctrl.	KZPSC-BA	\$2,900	3	(\$1,740)	\$6,960.00	A.C.	\$0.00	5	INC	\$6,960
RZ28 2.1 GB SCSI Disk	RZ28M-VA	\$1,449	47	(\$12,259)	\$55,844.46	WWS **	\$0.00	5	INC	\$55,844
RZ29 4.3 GB SCSI Disk	RZ29B-VA	\$2,199	4	(\$1,583)	\$7,212.72	WWS **	\$0.00	5	INC	\$7,213
Storm Shif w/ps	BA350-JA	\$971	9	(\$1,748)	\$6,991.20	A.C.	\$0.00	5	INC	\$6,991
1.5 M Cable:PCI RAID: Narr/Exter	BN31L-1E	\$90	7	(\$63)	\$567.00	A.C.	\$0.00	5	INC	\$567
SCSI Cables-Internal	CK-SWXCR-AA	\$200	3	(\$60)	\$540.00	A.C.	\$0.00	5	INC	\$540
8 GB DAT w/snap-in SW carrier	TLZ07-VA	\$1,999	1	(\$400)	\$1,599.20	A.C.	\$0.00	5	INC	\$1,599
14" APM Monochrome MON	FR-PC7XV-KA	\$199	1	(\$20)	\$179.10	A.C.	\$0.00	5	INC	\$179
CLIENT:										
FR-TCXAN-CA Prioris XL Server 590	QS-HQ1AC-HJ	\$4,995	2	(\$999)	\$8,991.00	A.C.	\$0.00	5	INC	\$8,991
XL Server yr 3-5 warr upgrad	QS-HQ1AC-HJ	\$1,900	2	\$0	\$3,800.00	A.C.	\$0.00	5	INC	\$3,800
64 MB (2x32) SIMM memory	FR-PC77M-AD	\$3,249	6	(\$1,949)	\$17,544.60	A.C.	\$0.00	5	INC	\$17,545
32 MB (2x16) SIMM memory	FR-PC77M-AC	\$1,469	2	(\$294)	\$2,644.20	A.C.	\$0.00	5	INC	\$2,644
PCI Ethernet card 1-Chnl ZX312	FR-PCXBN-AA	\$135	2	(\$27)	\$243.00	A.C.	\$0.00	5	INC	\$243
14" APM Monochrome MON	FR-PC7XCV-GE	\$299	2	(\$60)	\$538.20	A.C.	\$0.00	5	INC	\$538
PS/2 North American KBD	LK471-AA	\$75	2	(\$30)	\$120.00	A.C.	\$0.00	5	INC	\$120
SCO OpenServer Enterprise System -5 user	QB-4LEAA-WA	\$810	2	(\$292)	\$1,328.40	A.C.	\$0.00	5	INC	\$1,328
SCO OpenServer Development System	QB-4P5AA-WA	\$500	1	(\$100)	\$400.00	A.C.	\$0.00	5	INC	\$400
SCO OpenServer 500 User License	QM-4LKAA-BD	\$4,370	2	(\$1,573)	\$7,166.80	A.C.	\$0.00	5	INC	\$7,167
SCO OpenServer 25 User License	QM-4LKAA-BB	\$620	2	\$0	\$1,240.00	A.C.	\$0.00	5	INC	\$1,240
Hardware Installation Service	AVNET	\$7,745	1	\$0	\$7,745.00	A.C.	\$0.00	5	INC	\$7,745
Multia Multi-Client Desktop Sys.	VX47A-F3	\$0	1000	\$0	\$0.00	WWS	\$0.00	5	\$0.00	\$0
DIGITAL TOTAL:					\$195,543.98				\$0.00	\$195,544
HIT ULTRA Slimline 24 Port HUB (Data Comm Ware.)	DEH1477	\$280	47	\$0	\$13,160.00		\$0.00	5		\$13,160
Visigenic ODBC Client Software for SCO	ODBC M. SQL Ser	\$2,495	2	\$0	\$4,990.00	Visigenic	\$374.25	5	\$3,742.50	\$8,733
Visigenic ODBC SDK Software for SCO	ODBC SDK	\$995	1	\$0	\$995.00	Visigenic	\$149.25	5	\$746.25	\$1,741
Microsoft Windows NT server	Base sys.	\$0	1	\$0	\$0.00	A.C. *	\$0.00	5	\$0.00	\$0
Microsoft SQL Server WNT lic/mcd pkg	QB-46NAA-SA	\$35,000	1	\$0	\$35,000.00	LPS	\$0.00	5	\$0.00	\$35,000
Microsoft Priority PLUS SQL Svr Supp	Microsoft	\$2,095	5	\$0	\$10,475.00	WWS	\$0.00	5	\$0.00	\$10,475
CONFIGURATION TOTAL:					\$260,163.98				\$4,488.75	\$264,653
A.C.=Avnet Computer, INC = Included									TPM =	1153.7
* 1 256 MB board used for parity										
** 10% or minimum of 2 spares are added in place of on site service. These products have 5 years return to Digital Warranty.									\$/TPM =	\$229

Notes: Audited by Information Paradigm.