
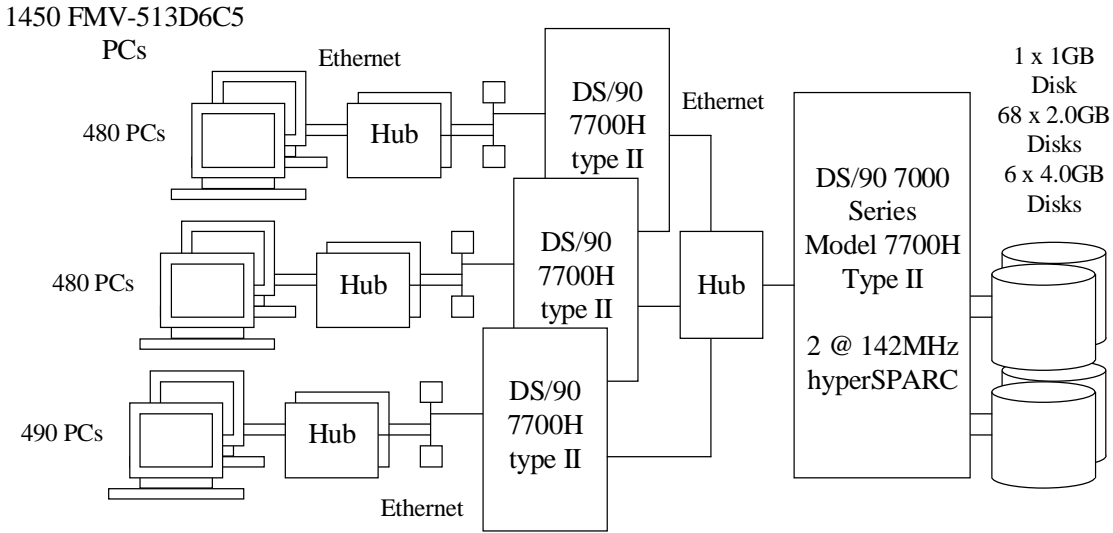


## Priced Configuration

	<b>Fujitsu DS/90 7000 Series Model 7700H type II C/S with 3 Front-Ends</b>		TPC-C Rev. 3.2	
			Report Date: Oct. 1996	
Total System Cost	TPC-C Throughput	Price/Performance	Availability Date	
187,883,800 Yen	1681.06 tpmC	111,765 Yen/tpmC	March 1997	
Processors	Database Manager	Operating System	Other Software	Number of Users
2 @ 142MHz hyperSPARC	Oracle7 RDBMS Version 7.3 Japanese Version	UXP/DS Basic Software V20	TP-Base V20	1450
<div style="text-align: center;"> <p>1450 FMV-513D6C5 PCs</p>  </div>				
System Components	Qty	Server Description	Qty	Clients Description
Processor	1	2 hyperSPARC @ 142MHz	3	2 hyperSPARC @ 142MHz (each client)
Cache Memory		1MB (each processor)		1MB (each processor)
Memory		512MB		512MB
Disk Controller	1	SCSI-2 (1 Channel)	3	SCSI-2 (1 Channel)
Disks	1	1GB Disk	3	1GB Disk
	68	2.0GB Disk		
	6	4.0GB Disk		
Total GB of Storage		161.0GB		3GB
Terminals	1	Console	3	Console



**Detailed Pricing information**  
**DS/90 7700H Type II C/S**  
**with 3 Front-Ends**

TPC-C Rev 3.2

Report Date:  
 October 15, 1996

Order Number	Description	Quantity	Unit Price	Extended Price	Maintenance rate/unit*	5 Years Maintenance
<b>Server Hardware</b>						
F7970C5	DS/90 7000 model 7700H type II	1	4,700,000	4,700,000	19,600	1,058,400
F7978SB1	Internal Sbus extension unit	1	300,000	300,000	1,500	81,000
F7978SB2	Sbus extension unit	1	900,000	900,000	4,500	243,000
F7952M31	Additional memory (64MB)	8	864,000	6,912,000	0	0
F7949RA3	External Cabinet	4	630,000	2,520,000	3,200	691,200
F7949FU2A	External File unit	18	700,000	12,600,000	3,500	3,402,000
F7958HS1	Wide SCSI-2 adapter	9	250,000	2,250,000	0	0
F7945A4E	Additional Fast-SCSI disk (2.0GB)	1	320,000	320,000	1,600	86,400
F7945A5E	Additional Wide-SCSI disk (2.0GB)	67	380,000	25,460,000	1,900	6,874,200
F7973D41A	Additional Wide-SCSI disk (4.0GB)	6	680,000	4,080,000	3,400	1,101,600
F7960A11	Display unit	1	380,000	380,000	1,500	81,000
DCBL-RCB05	RS-232 cable	1	16,000	16,000	0	0
F7953A4A	8mm Tape device	1	840,000	840,000	4,200	226,800
<b>Server Hardware Subtotals</b>				61,278,000		13,845,600
<b>Server Software</b>						
B78315K3G	UXP/DS Basic Software V20	1	800,000	800,000	220,000	1,100,000
	ORACLE7 RDBMS & SQL*Net	1	15,600,000	15,600,000	3,120,000	15,600,000
<b>Server Software Subtotals</b>				16,400,000		16,700,000
<b>Client Hardware</b>						
F7970C5	DS/90 7000 model 7700H type II (w/ NIC)	3	4,700,000	14,100,000	19,600	3,175,200
F7952M31	Additional memory (64MB)	24	864,000	20,736,000	0	0
F7930LA2C	10Mbps LAN adapter	3	100,000	300,000	0	0
F7960A11	Display unit	3	380,000	1,140,000	1,500	243,000
DCBL-RCB05	RS-232 cable	3	16,000	48,000	0	0
<b>Client Hardware Subtotals</b>				36,324,000		3,418,200
<b>Client Software</b>						
B78315K0G	UXP/DS Basic Software V20 Additional user license	3	640,000	1,920,000	220,000	3,300,000
D783HZK60	TP-Base/sdk V20 (1 user)	1	300,000	300,000	270,600	1,353,000
D783HUK62	TP-Base/rt V20 (8 user)	1	500,000	500,000	270,600	1,353,000
S783HUK02	Additional user license	2	400,000	800,000	88,000	880,000
<b>Client Software Subtotals</b>				3,520,000		6,886,000
<b>User Connectivity</b>						
LHX	Hub units (8ports)**	3	34,800	104,400	1,100	178,200
LH16XA2	Hub units (16ports)**	101	230,000	23,230,000	1,100	5,999,400
<b>User Connectivity Subtotals</b>				23,334,400		6,177,600
<b>Totals</b>				140,856,400		47,027,400
<b>5 Year cost</b>						187,883,800
<b>tpmC</b>						1681.06
<b>Yen / tpmC</b>						111,765
<b>Notes:</b>						
* DS/90 hardware maintenance rate is monthly rate and DS/90 software maintenance rate is yearly rate.						
** 10% or minimum of 2 spares are included.						

Notes:  
 Audited by Performance Metrics, Inc.  
 Japanese yen prices are not convertible to other currencies at exchange rates.  
 DS/90 hardware has a 6 month warranty.  
 Thus to cost 5 years of hardware maintenance, a total of 54 months is calculated.

## Numerical Quantities Summary

DS/90 7700H Type II      Oracle V7.3

<b>MQTH, Computed Maximum Qualified Throughput</b>				1,681.06 tpmC					
<b>Response Times (in seconds)</b>				<b>Average</b>		<b>90%</b>		<b>Max.</b>	
New-Order				2.04		4.27		17.36	
Payment				1.49		3.57		17.50	
Order-Status				1.56		3.66		13.95	
Delivery (interactive portion)				0.12		0.26		1.90	
Delivery (deferred portion)				1.75		3.85		14.48	
Stock-Level				3.21		5.71		18.71	
Menu				0.18		0.27		7.59	
<b>Transaction Mix, in percent of total transaction</b>									
New-Order								44.69	
Payment								43.24	
Order-Status								4.02	
Delivery								4.00	
Stock-Level								4.03	
<b>Emulation Delay (in seconds)</b>						<b>Resp. Time</b>		<b>Menu</b>	
New-Order						N/A		N/A	
Payment						N/A		N/A	
Order-Status						N/A		N/A	
Delivery (interactive)						N/A		N/A	
Stock-Level						N/A		N/A	
<b>Keying/Think Times (in seconds)</b>				<b>Min.</b>		<b>Average</b>		<b>Max.</b>	
New-Order				18.11    0.01		18.22    12.06		18.37    117.09	
Payment				3.02    0.01		3.06    12.17		3.24    117.77	
Order-Status				2.01    0.01		2.05    10.18		2.14    86.53	
Delivery (interactive)				2.03    0.01		2.06    5.10		2.22    46.59	
Stock-Level				2.03    0.01		2.06    5.19		2.16    44.82	
<b>Test Duration</b>									
Ramp-up time (seconds)								2580	
Measurement interval								1800	
Transactions during measurement interval								50,432	
Ramp down time									
<b>Checkpointing</b>									
Number of checkpoints								1	
Checkpoint interval								1800 sec.	
<b>Reproducibility Run</b>									
Reported measurement								1681.06	
Reproducibility measurement								1661.46	
Difference								19.60	