
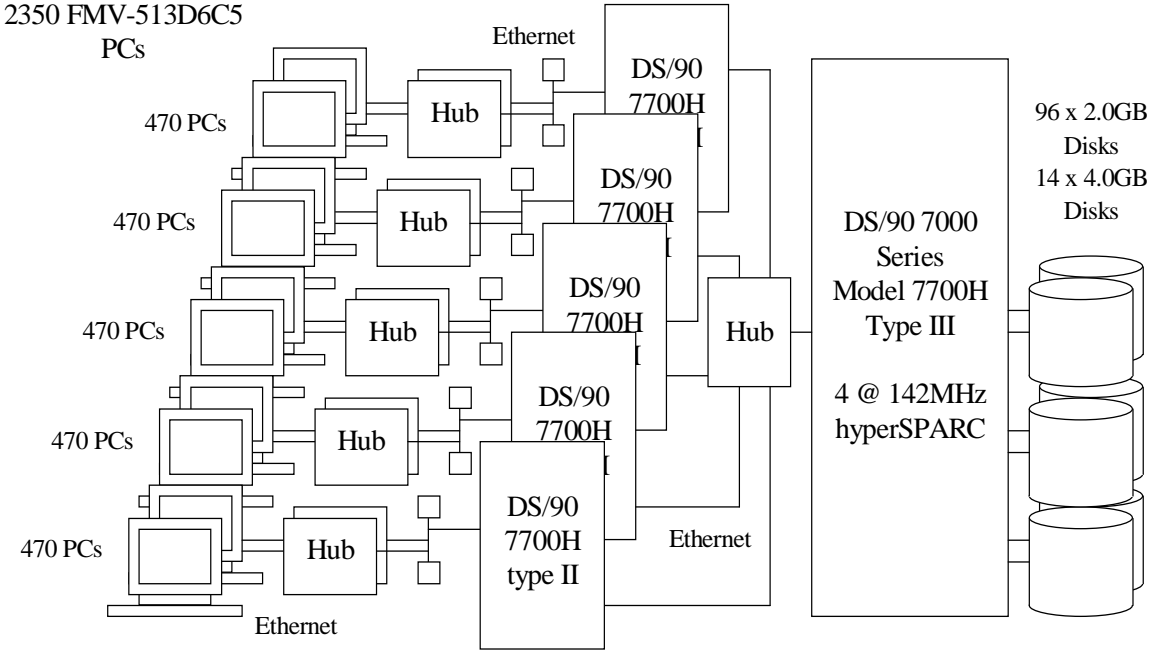


**Priced Configuration**

	<b>Fujitsu DS/90 7000 Series Model 7700H type III C/S with 5 Front-Ends</b>		TPC-C Rev. 3.2	
			Report Date: Oct. 1996	
Total System Cost	TPC-C Throughput	Price/Performance	Availability Date	
301,808,800 Yen	2735.23 tpmC	110,341 Yen/tpmC	March 1997	
Processors	Database Manager	Operating System	Other Software	Number of Users
4 @ 142MHz hyperSPARC	Oracle7 RDBMS Version 7.3 Japanese Version	UXP/DS Basic Software V20	TP-Base V20	2350
				
System Components	Qty	Server Description	Qty	Clients Description
Processor	1	4 hyperSPARC @ 142MHz	5	2 hyperSPARC @ 142MHz (each client)
Cache Memory		1MB (each processor)		1MB (each processor)
Memory		1024MB		512MB
Disk Controller	1	SCSI-2 (2 Channel)	5	SCSI-2 (1 Channel)
Disks	10	Wide-SCSI (1 Channel)		
	96	2.0GB Disk	5	1GB Disk
	14	4.0GB Disk		
Total GB of Storage		248.0GB		5GB
Terminals	1	Console	5	Console



**Detailed Pricing information**  
**DS/90 7700H Type III**

TPC-C Rev 3.2  
Report Date:  
October 4, 1996

Order Number	Description	Quantity	Unit Price	Extended Price	Maintenance rate/unit*	5 Years Maintenance
<b>Server Hardware</b>						
F7970C3	DS/90 7000 model 7700H type III (w/64MBRAM)	1	9,050,000	9,050,000	37,700	2,085,800
F7978SB2	SBus extension unit	1	900,000	900,000	4,500	243,000
F7952MB1	Additional memory (64MB)	15	864,000	12,960,000	0	0
F7949RA3	External Cabinet	4	630,000	2,520,000	3,200	691,200
F7949FU2A	External File unit	19	700,000	13,300,000	3,500	3,591,000
F7958FS1	Wide SCSI-2 adapter	10	250,000	2,500,000	0	0
F7945ASE	Additional Wide-SCSI disk (20CB)	95	380,000	36,100,000	1,900	9,747,000
F7973D41A	Additional Wide-SCSI disk (40CB)	14	680,000	9,520,000	3,400	2,570,400
F7960A11	Display unit	1	380,000	380,000	1,500	81,000
DCBL-RCB05	RS-232 cable	1	16,000	16,000	0	0
F7953A4A	8mm Tape device	1	840,000	840,000	4,200	226,800
<b>Server Hardware Subtotals</b>				88,086,000		19,186,200
<b>Server Software</b>						
B78315K3H	UXP/DS Basic Software V20	1	1,100,000	1,100,000	220,000	1,100,000
	ORACLE7 RDBMS & SQL*Net	1	31,200,000	31,200,000	6,240,000	31,200,000
<b>Server Software Subtotals</b>				32,300,000		32,300,000
<b>Client Hardware</b>						
F7970C5	DS/90 7000 model 7700H type II (w/ NIC)	5	4,700,000	23,500,000	19,600	5,292,000
F7952MB1	Additional memory (64MB)	40	864,000	34,560,000	0	0
F7930LA2C	10Mbps LAN adapter	5	100,000	500,000	0	0
F7960A11	Display unit	5	380,000	1,900,000	1,500	405,000
DCBL-RCB05	RS-232 cable	5	16,000	80,000	0	0
<b>Client Hardware Subtotals</b>				60,540,000		5,697,000
<b>Client Software</b>						
B78315K6G	UXP/DS Basic Software V20	1	740,000	740,000	220,000	1,100,000
B78310K0G	Additional user license	4	640,000	2,560,000	220,000	4,400,000
D783HZK60	TP-Base/sdk V20 (1 user)	1	300,000	300,000	270,600	1,353,000
D783HUK62	TP-Base/rt V20 (8 user)	1	500,000	500,000	270,600	1,353,000
S783HUK02	Additional user license	4	400,000	1,600,000	88,000	1,760,000
<b>Client Software Subtotals</b>				5,700,000		9,966,000
<b>User Connectivity</b>						
LH8X	Hub units (8ports)**	3	34,800	104,400	1,100	178,200
LH16XA2	Hub units (16ports)**	165	230,000	37,950,000	1,100	9,801,000
<b>User Connectivity Subtotals</b>				38,054,400		9,979,200
<b>Totals</b>				224,680,400		77,128,400
<b>5 Year cost</b>						301,808,800
<b>tpmC</b>						2735.23
<b>Yen/tpmC</b>						110,341
<b>Notes:</b>						
	* DS/90 hardware maintenance rate is monthly rate and DS/90 software maintenance rate is yearly rate.					
	** 10% or minimum of 2 spares are included.					

**Notes:**

Audited by Performance Metrics, Inc.

Japanese yen prices are not convertible to other currencies at exchange rates.

DS/90 hardware has a 6 month warranty.

Thus to cost 5 years of hardware maintenance, a total of 54 months is calculated.

<b>Numerical Quantities Summary</b>								
<b>DS/90 7700H Type III</b>				<b>Oracle V7.3</b>				
<b>MQTH, Computed Maximum Qualified Throughput</b>						2735.23 tpmC		
<b>Response Times (in seconds)</b>			<b>Average</b>		<b>90%</b>	<b>Max.</b>		
New-Order			1.92		3.81	24.57		
Payment			1.42		3.25	24.55		
Order-Status			1.47		3.30	19.19		
Delivery (interactive portion)			0.09		0.21	1.10		
Delivery (deferred portion)			1.83		3.68	22.40		
Stock-Level			2.50		4.58	24.22		
Menu			0.16		0.25	3.03		
<b>Transaction Mix, in percent of total transaction</b>								
New-Order						44.69		
Payment						43.25		
Order-Status						4.02		
Delivery						4.02		
Stock-Level						4.00		
<b>Emulation Delay (in seconds)</b>					<b>Resp. Time</b>		<b>Menu</b>	
New-Order					N/A		N/A	
Payment					N/A		N/A	
Order-Status					N/A		N/A	
Delivery (interactive)					N/A		N/A	
Stock-Level					N/A		N/A	
<b>Keying/Think Times (in seconds)</b>			<b>Min.</b>		<b>Average</b>		<b>Max.</b>	
New-Order			18.10 0.01		18.29 12.12		18.53 120.49	
Payment			3.01 0.01		3.07 12.09		3.38 116.71	
Order-Status			2.01 0.01		2.05 10.49		2.15 92.30	
Delivery (interactive)			2.03 0.01		2.07 5.14		2.16 46.88	
Stock-Level			2.02 0.01		2.07 5.19		2.18 49.12	
<b>Test Duration</b>								
Ramp-up time (seconds)						2510		
Measurement interval						1800		
Transactions during measurement interval						82,057		
Ramp down time								
<b>Checkpointing</b>								
Number of checkpoints						1		
Checkpoint interval						1800 sec.		
<b>Reproducibility Run</b>								
Reported measurement						2735.23		
Reproducibility measurement						2731.30		
Difference						3.93		