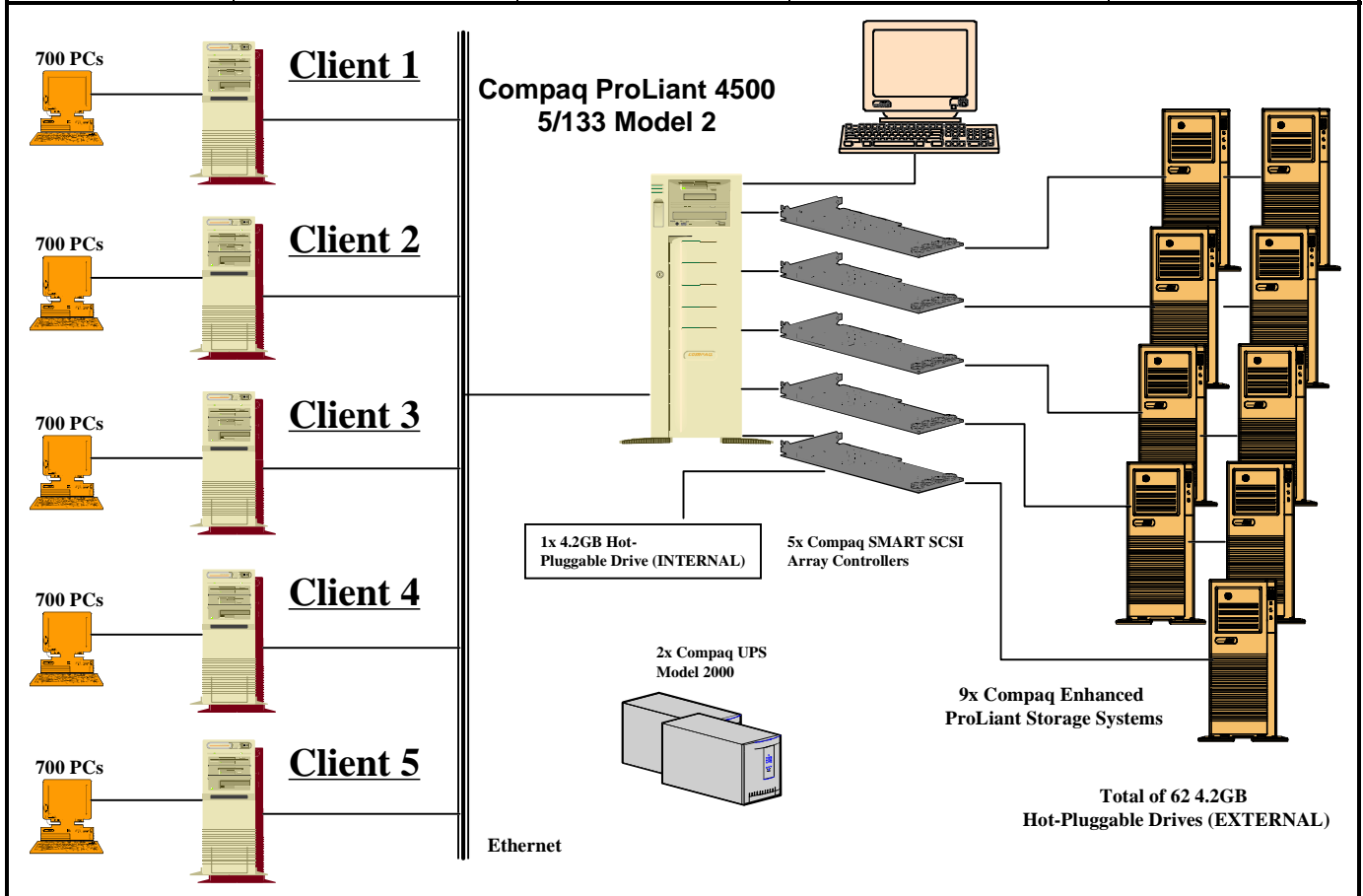


Compaq Computer Corporation		ProLiant 4500 5/133 Model 2 C/S with Five ProSignia 300		TPC-C Rev. 3.0 Report Date: Apr 05 1996			
Total System Cost		TPC-C Throughput		Price/Performance		Availability Date	
\$537,508.00		3641.17 tpmC		\$147.62		June 1996	
Processors	Database Manager	Operating System	Other Software		Number of Users		
4 Pentium 133 MHz	Microsoft SQL Server 6.5	MS Windows NT 4.0	Visigenic ODBC Library for SCO Unix		3,500		



System Components	Server		Clients	
	Quantity	Description	Quantity	Description
Processor	4	133Mhz Pentium with 2MB Level 2 Cache	5	90mhz Pentium
Memory	1	1024MB	5	208MB
Disk Controllers	5	SMART-2/E Array Controller	5	Integrated Fast-SCSI-2 Controller
Disk Drives	63	4.2GB Pluggable SCSI-2 Drive	5	1.05GB SCSI-2 Drive
Total Storage		264.6GB		5.25GB
Tape Drives	1	4/16 TurboDAT		

Compaq Computer Corporation Microsoft SQL Server for Windows NT		Compaq ProLiant 4500 - 5/133 Model 2			TPC-C Rev 3.0 Apr. 05, 1996		
HARDWARE	Part #	Unit Price	Qty	Ext. Price	Service Costs		TOTAL Item Cost
					Rate/Unit	5Yr Maint	
Database Server							
ProLiant 4500 5/133 Model 2 2 x Pentium/133MHz System Processor Board 64 MB of RAM NetFlex ENET-TR Controller Integrated Fast-SCSI-2 Controller CD-ROM SmartStart Compaq System Configuration Utility	213420-004	\$14,149.00	1	\$14,149.00	\$0.00 /5yr	\$7,075.00	\$21,224.00
Processors							
5/133 ProLiant System Processor Board	213416-001	\$4,787.00	2	\$9,574.00	\$0.00 /5yr	\$4,787.00	\$14,361.00
Memory							
128-Bit SIMM Expansion Board	188874-001	\$311.00	1	\$311.00	\$0.00 /5yr	\$156.00	\$467.00
256-Megabyte Memory Kit (4x64MB / 70ns)	188056-001	\$13,830.00	4	\$55,320.00	\$0.00 /5yr	\$27,660.00	\$82,980.00
Storage							
SMART-2 SCSI Array Controller	194751-001	\$2,106.00	5	\$10,530.00	\$0.00 /5yr	\$5,265.00	\$15,795.00
Enhanced ProLiant Storage System	189600-001	\$1,148.00	9	\$10,332.00	\$0.00 /5yr	\$5,166.00	\$15,498.00
4.2-GB Pluggable SCSI-2 Drive	146742-006	\$1,286.00	63	\$81,018.00	\$0.00 /5yr	\$40,509.00	\$121,527.00
4/16-GB TurboDAT Drive	142181-001	\$1,032.00	1	\$1,032.00	\$0.00 /5yr	\$516.00	\$1,548.00
Clients							
ProSignia 300 5/90 16MB of RAM Onboard Ethernet NIC 1.05GB disk drive	188360-002	\$2,690.00	5	\$13,450.00	\$0.00 /5yr	\$6,725.00	\$20,175.00
64 MB Mem Expansion Kit (2x32) (70ns)	148191-001	\$2,979.00	15	\$44,685.00	\$0.00 /5yr	\$22,343.00	\$67,028.00
SysTech EtherPlex NIC (2048-user version)	N/A	\$3,500.00	5	\$17,500.00	\$0.00 /5yr	\$8,750.00	\$26,250.00
Misc. Compaq Items							
Compaq VGA Monochrome Monitor	194951-001	\$190.00	6	\$1,140.00	\$0.00 /5yr	\$570.00	\$1,710.00
Compaq Uninterruptible Power Supply M2000	142228-003	\$1,112.00	2	\$2,224.00	\$0.00 /5yr	\$1,112.00	\$3,336.00
Communications							
HTI Ultra Slimline HUB - 24 Port + 10% Spares	N/A	\$280.00	167	\$46,760.00		5 yr warranty	\$46,760.00
SOFTWARE							
Microsoft Windows NT Server v. 4.01	N/A	\$695.00	1	\$695.00	\$0.00 /5yr	Inc. below	\$695.00
Microsoft SQL Server 6.5 plus User License (Unlimited)	N/A	\$24,999.00	1	\$24,999.00	\$0.00 /5yr	\$10,475.00	\$35,474.00
SCO Open Server Host System (5 User)	108679-001	\$490.00	5	\$2,450.00	\$0.00 /5yr	\$12,000.00	\$14,450.00
SCO OpenServer 1000 User Additional License	108688-001	\$7,047.00	5	\$35,235.00	\$0.00 /5yr	Inc Above	\$35,235.00
SCO Development System	108681-001	\$495.00	1	\$495.00	\$0.00 /5yr	Inc Above	\$495.00
Visigenic ODBC Library for SCO Unix	N/A	\$2,500.00	5	\$12,500.00	\$0.00 /5yr	Inc Above	\$12,500.00
CONFIGURATION TOTALS				\$384,399.00		\$153,109.00	\$537,508.00
Total 5 Year Cost:						\$537,508.00	
TPC-C Throughput:						3641.17	
\$\$\$/tpm-C:						\$147.62	
Note: The results of the benchmark and test methodology used to produce the results were audited by Lorna Livingtree of Performance Metrics, Inc.							