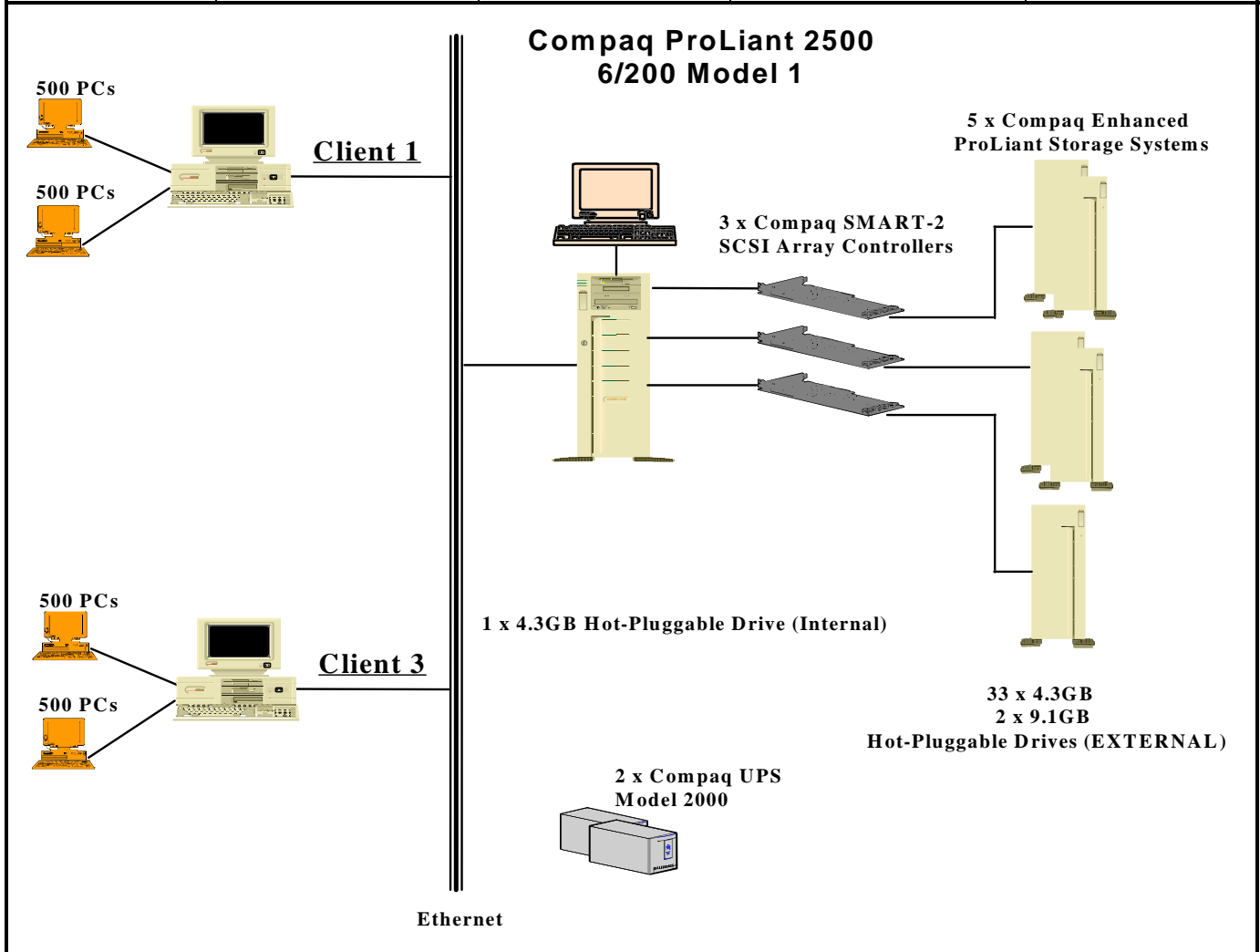


Compaq Computer Corporation		ProLiant 2500 6/200 (1 Proc) C/S with 2 DeskPro 4000		TPC-C Rev. 3.2	
				Report Date: Oct 18, 1996	
Total System Cost		TPC-C Throughput		Price/Performance	
\$192,737.00		2217.77 tpmC		\$86.90	
				Availability Date	
				November 1996	
Processors	Database Manager	Operating System	Other Software	Number of Users	
1 Pentium®Pro 200 MHz	Microsoft SQL Server 6.5	Microsoft Windows NT 4.0	Microsoft Internet Connector License, Microsoft Visual C++, Microsoft SQL Server Programmer's Toolkit	2000	



System Components	Server		Clients	
	Quantity	Description	Quantity	Description
Processor	1	200MHz Pentium®Pro 256K Level 2 Cache	2	200MHz Pentium®Pro 256K Level 2 Cache
Memory	1	512MB	2	128MB
Disk Controllers	3	SMART2/P Array Controller	2	Adaptec 2940 SCSI Controller
Disk Drives	2	9.1 GB SCSI-2 Drives	2	2.5GB SCSI-2 Drive
	34	4.3GB SCSI-2 Drives		
Total Storage		164.4GB		5.0GB
Tape Drives	1	4/16 TurboDAT		

Compaq Computer Corporation		Prodiant 2500 - 6/200 (1 Proc)			TPC-C REV 3.2		
Corporation		Client/Server			Report Date:	18-Oct-96	
Description	Part Number	Third Party	Unit Price	Qty	Extended Price	5 yr. Maint. Price	
Server Hardware		Brand Pricing					
Prodiant 2500 6/200 - Model 1	250960-001		6,710	1	6,710	3,355	
PentiumPro/200MHz Processor Board							
Netelligent 10/100 TX Ethernet Controller							
Integrated Fast-SCSI-2 Controller							
CD-ROM							
SmartStart							
Compaq System Configuration Utility							
256 MB DIMM Kit	271910-001		7,920	2	15,840	7,920	
SMART-2 SCSI Array Controller	142055-001		2,098	3	6,294	3,147	
Enhanced Prodiant Storage System	189600-001		1,205	5	6,025	3,013	
4.3 GB Pluggable SCSI-2 Drive	146742-006		1,351	34	45,934	22,967	
9.1 GB Pluggable SCSI-2 Drive	199882-001		2,090	2	4,180	2,090	
Compaq VGA Monochrome Monitor	194951-001		197	1	197	99	
Compaq Uninterruptible Power Supply M2000	142228-003		934	2	1,868	934	
4\16GB TurboDAT Drive	142181-001		1,084	1	1,084	542	
Subtotal					88,132	44,066	
Server Software							
Microsoft Windows NT Server v. 4.0		Microsoft	1	809	1	809	0*
Microsoft SQL Server 6.5 plus User License (w/ 5 cdt)		Microsoft	1	1,399	1	1,399	10,475
Microsoft Internet Connector License		Microsoft	1	2,999	1	2,999	0*
Subtotal					5,207	10,475	
Client Hardware							
Deskpro 4000 6/200, 32 MB, 2.5 GB HD, Ethernet	247570-002		3,542	2	7,084	3,542	
64-Megabyte Memory Kit (2x32MB, EDO SIMMs,	243014-002		616	4	2,464	1,232	
NetFlex 3 PCI Ethernet Controller	169810-001		168	4	672	336	
Compaq VGA Monochrome Monitor	194951-001		197	2	394	197	
Subtotal					10,614	5,307	
Client Software							
Microsoft Windows NT Server v. 4.0		Microsoft	1	809	2	1,618	0*
Microsoft SQL Server Programmer's Toolkit		Microsoft	1	499	1	499	0*
Microsoft Visual C++ v. 4.0		Microsoft	1	499	1	499	0*
Subtotal					2,616	0	
User Connectivity							
HTI Ultra Slimline HUB - 24 Port + 10% spares		HTI Ultra		280	94	26,320	5 yr warranty
Subtotal					26,320	0	
Total					\$132,889	\$59,848	
All pricing done by Clark Data Systems unless otherwise noted. * All Microsoft maint. is covered by the maint. cost for Microsoft SQL Server 1= Microsoft Note: The benchmark results and test methodology were audited by Lorna Livingtree and Richard Gmarc of Performance Metrics, Inc.					Five-Year Cost of Ownership: \$192,737 tpmC Rating: 2217.77 \$ /tpmC: \$86.90		

Numerical Quantities Summary

MQTH, Computed Maximum Qualified Throughput

2217.77 tpmC

% throughput difference, reported & reproducibility runs

.3%

Response Times (in seconds)	Average	90%	Maximum
New-Order	2.48	3.21	19.91
Payment	2.16	2.96	19.41
Order-Status	2.85	3.72	20.03
Delivery (interactive portion)	0.89	1.63	13.66
Delivery (deferred portion)	6.26	8.80	37.42
Stock-Level	6.04	7.63	24.60
Menu	0.18	0.14	13.37

Transaction Mix, in percent of total transaction

New-Order	44.46%
Payment	43.31%
Order-Status	4.11%
Delivery	4.12%
Stock-Level	4.01%

Emulation Delay (in seconds)	Resp.Time	Menu
New-Order	0.1	0.1
Payment	0.1	0.1
Order-Status	0.1	0.1
Delivery (interactive)	0.1	0.1
Stock-Level	0.1	0.1

Keying/Think Times (in seconds)	Min.	Average	Max.
New-Order	18.01/0.00	18.01/12.58	18.19/125.93
Payment	3.01/0.00	3.01/12.50	3.10/125.90
Order-Status	2.01/0.04	2.01/10.20	2.09/83.30
Delivery (interactive)	2.01/0.00	2.01/5.26	2.05/43.10
Stock-Level	2.01/0.00	2.01/5.26	2.09/43.90

Test Duration

Ramp-up time	72 minutes
Measurement interval	30 minutes
Transactions (all types) completed during measurement interval	207956
Ramp down time	10 minutes

Checkpointing

Number of checkpoints	1
Checkpoint interval	30 minutes