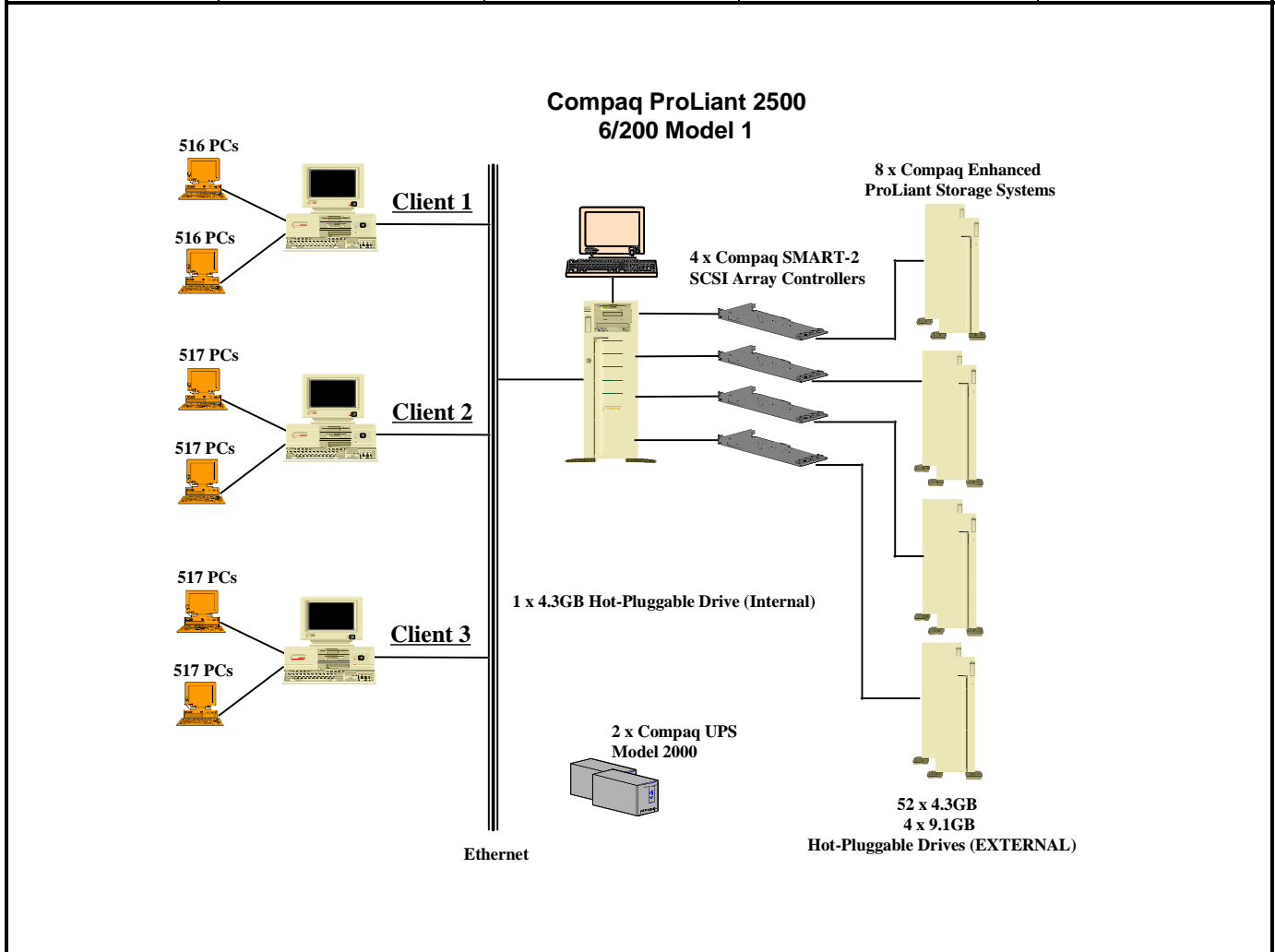


Compaq Computer Corporation		ProLiant 2500 6/200 (2 Proc) C/S with 3 DeskPro 4000		TPC-C Rev. 3.2 Report Date: Oct 18, 1996			
Total System Cost		TPC-C Throughput		Price/Performance		Availability Date	
<b>\$295,512.00</b>		<b>3594.47 tpmC</b>		<b>\$82.21</b>		<b>November 1996</b>	
Processors	Database Manager	Operating System	Other Software		Number of Users		
2 Pentium®Pro 200 MHz	Microsoft SQL Server 6.5	Microsoft Windows NT 4.0	Microsoft Internet Connector License, Microsoft Visual C++, Microsoft SQL Server Programmer's Toolkit		<b>3100</b>		



System Components	Server		Clients	
	Quantity	Description	Quantity	Description
Processor	2	200MHz Pentium®Pro 256K Level 2 Cache	3	200MHz Pentium®Pro 256K Level 2 Cache
Memory	1	1024MB	3	128MB
Disk Controllers	4	SMART2/P Array Controller	3	Adaptec 2940 SCSI Controller
Disk Drives	4	9.1 GB SCSI-2 Drives	3	2.5GB SCSI-2 Drive
	53	4.3GB SCSI-2 Drives		
Total Storage		264.3GB		7.5GB
Tape Drives	1	4/16 TurboDAT		

Compaq Computer Corporation		Proliant 2500 - 6/200 (2 Proc)		TPC-C REV 3.2			
		Client/Server		Report Date:	18-Oct-96		
Description	Part Number	Third Party	Unit Price	Qty	Extended Price	5 yr. Maint. Price	
<b>Server Hardware</b>		<b>Brand Pricing</b>					
Proliant 2500 6/200 - Model 1	250960-001		6,710	1	6,710	3,355	
PentiumPro/200MHz Processor Board							
Netelligent 10/100 TX Ethernet							
Integrated Fast-SCSI-2 Controller							
CD-ROM							
SmartStart							
Compaq System Configuration							
6/200 - 256K Processor Expansion Kit	264366-001		1,375	1	1,375	688	
256 MB DIMM Kit	271910-001		7,920	4	31,680	15,840	
SMART-2 SCSI Array Controller	142055-001		2,098	4	8,392	4,196	
Enhanced Proliant Storage System	189600-001		1,205	8	9,640	4,820	
4.3 GB Pluggable SCSI-2 Drive	146742-006		1,351	53	71,603	35,802	
9.1 GB Pluggable SCSI-2 Drive	199882-001		2,090	4	8,360	4,180	
Compaq VGA Monochrome	194951-001		197	1	197	99	
Compaq Uninterruptible Power Supply	142228-003		934	2	1,868	934	
4\16GB TurboDAT Drive	142181-001		1,084	1	1,084	542	
<b>Subtotal</b>					<b>140,909</b>	<b>70,455</b>	
<b>Server Software</b>							
Microsoft Windows NT Server v. 4.0		Microsoft 1	809	1	809	0*	
Microsoft SQL Server 6.5 plus User License (w/ 5 cal)		Microsoft 1	1,399	1	1,399	10,475	
Microsoft Internet Connector		Microsoft 1	2,999	1	2,999	0*	
<b>Subtotal</b>					<b>5,207</b>	<b>10,475</b>	
<b>Client Hardware</b>							
Deskpro 4000 6/200, 32 MB, 2.5 GB HD, Ethernet	147570-002		3,542	3	10,626	5,313	
64-Megabyte Memory Kit (2x32MB, EDO SIMMs, 60	143014-002		616	6	3,696	1,848	
NetFlex 3 PCI Ethernet Controller	169810-001		168	6	1,008	504	
Compaq VGA Monochrome	194951-001		197	3	591	296	
<b>Subtotal</b>					<b>15,921</b>	<b>7,961</b>	
<b>Client Software</b>							
Microsoft Windows NT Server v. 4.0		Microsoft 1	809	3	2,427	0*	
Microsoft SQL Server Programmer's Toolkit		Microsoft 1	499	1	499	0*	
Microsoft Visual C++ v. 4.0		Microsoft 1	499	1	499	0*	
<b>Subtotal</b>					<b>3,425</b>	<b>0</b>	
<b>User Connectivity</b>							
HTI Ultra Slimline HUB - 24 Port + 10% spares		HTI Ultra	280	147	41,160	5 yr warranty	
<b>Subtotal</b>					<b>41,160</b>	<b>0</b>	
<b>Total</b>					<b>\$206,622</b>	<b>\$88,890</b>	
All pricing done by Clark Data Systems unless otherwise noted *All Microsoft maint. is covered by the maint. cost for Microsoft SQL Server 1=Microsoft Note:The benchmark results and test methodology were audited by Lorna and Richard Gimarc of Performance Metrics,					Five-Year Cost of Ownership: \$295,512 tpmC Rating: 3594.47 \$ / tpmC: \$82.21		

## Numerical Quantities Summary

**MQTH, Computed Maximum Qualified Throughput**

**3594.47 tpmC**

% throughput difference, reported & reproducibility runs

1.4%

**Response Times (in seconds)**

	<b>Average</b>	<b>90%</b>	<b>Maximum</b>
New-Order	1.79	2.35	33.22
Payment	1.43	2.11	30.25
Order-Status	1.88	2.69	30.69
Delivery (interactive portion)	0.94	1.63	22.81
Delivery (deferred portion)	1.65	2.50	38.22
Stock-Level	4.18	5.63	38.22
Menu	0.23	0.15	22.25

**Transaction Mix, in percent of total transaction**

New-Order	44.56%
Payment	43.15%
Order-Status	4.02%
Delivery	4.14%
Stock-Level	4.13%

**Emulation Delay (in seconds)**

	<b>Resp.Time</b>	<b>Menu</b>
New-Order	0.1	0.1
Payment	0.1	0.1
Order-Status	0.1	0.1
Delivery (interactive)	0.1	0.1
Stock-Level	0.1	0.1

**Keying/Think Times (in seconds)**

	<b>Min.</b>	<b>Average</b>	<b>Max.</b>
New-Order	18.01/0.00	18.01/12.14	18.19/122.30
Payment	3.01/0.00	3.01/12.26	3.09/122.30
Order-Status	2.01/0.00	2.01/10.19	2.05/98.80
Delivery (interactive)	2.01/0.00	2.01/5.09	2.05/50.90
Stock-Level	2.01/0.00	2.01/5.23	2.09/50.90

**Test Duration**

Ramp-up time	89 minutes
Measurement interval	30 minutes
Transactions (all types) completed during measurement interval	336162
Ramp down time	10 minutes

**Checkpointing**

Number of checkpoints	1
Checkpoint interval	30 minutes