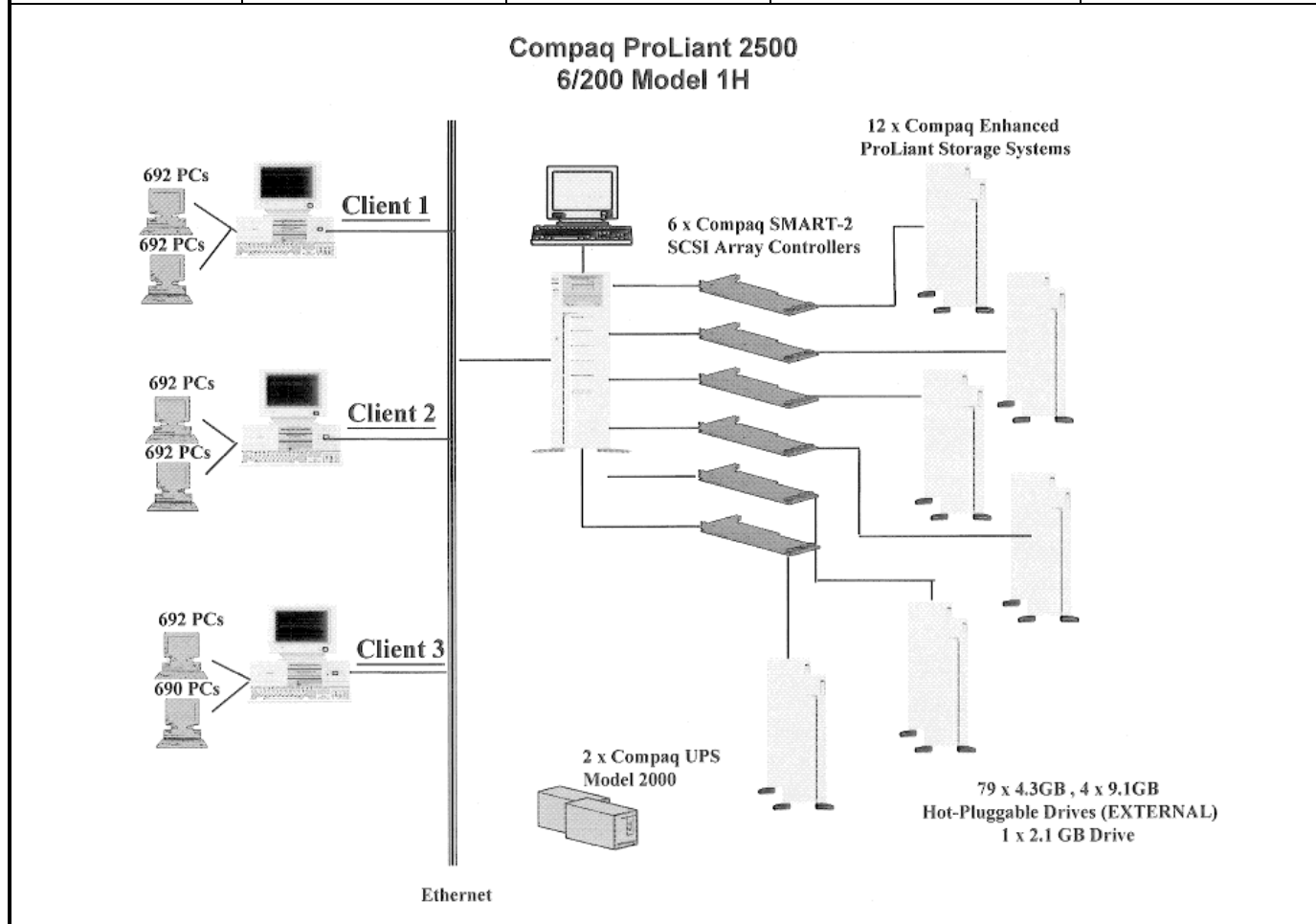


Compaq Computer Corporation		ProLiant 2500 6/200 (2 Proc) C/S with 3 ProLiant 800		TPC-C Rev. 3.3 Report Date: May 2, 1997					
Total System Cost		TPC-C Throughput		Price/Performance		Availability Date			
\$304,046		4864.97		\$62.49		05-May-1997			
Processors		Database Manager		Operating System		Other Software		Number of Users	
2 Pentium® Pro 200 MHz 512K Cache		Microsoft SQL Server 6.5.252 (SP3)		Microsoft Windows NT 4.0 (SP1)		Microsoft Internet Connector License, Microsoft Visual C++		4150	



System Components	Server		Clients	
	Quantity	Description	Quantity	Description
Processor	2	200MHz Pentium®Pro 512K Level 2 Cache	3	180MHz Pentium®Pro 256K Level 2 Cache
Memory	1	1024MB	3	96MB
Disk Controllers	6	SMART2/P Array Controller	3	Integrated SCSI Disk Controller
Disk Drives	79	4.3 GB SCSI-2 Drives	3	4.3 GB SCSI-2 Drive
	4	9.1 GB SCSI-2 Drives		
	1	2.1 GB SCSI-2 Drive		
Total Storage		378.2 GB		12.9 GB
Tape Drives	1	4/16 TurboDAT		

Compaq Computer Corporation	ProLiant 2500 - 6/200 Model 1H		TPC-C REV 3.3				
	Client/Server		Report Date:	2-May-97			
Description	Part Number	Third Party	Unit Price	Qty	Extended Price	5 yr. Maint. Price	
Server Hardware							
ProLiant 2500 6/200 - 512K Model 1H PentiumPro/200MHz 512K Processor Board Netelligent 10/100 TX Ethernet Controller Integrated Fast-SCSI-2 Controller CD-ROM SmartStart Compaq System Configuration Utility	307550-001	Brand Pricing	6,655	1	6,655	2,329	
ProLiant 2500 6/200-512K Option Kit	300906-001		2,905	1	2,905	1,017	
256 MB DIMM Kit	271910-001		5,238	4	20,952	7,333	
SMART-2/P SCSI Array Controller	194753-001		2,138	6	12,828	4,490	
Enhanced ProLiant Storage System	189600-001		863	12	10,356	3,625	
2.1 GB Pluggable SCSI-2 Drive	199876-001		744	1	744	260	
4.3 GB Pluggable SCSI-2 Drive	146742-006		1,227	79	96,933	33,927	
9.1 GB Pluggable SCSI-2 Drive	199882-001		2,127	4	8,508	2,978	
Compaq V50 Color Monitor	264150-001		373	1	373	131	
Compaq Uninterruptible Power Supply T2000	242688-005		903	2	1,806	632	
416GB TurboDAT Drive	142181-001		1,084	1	1,084	379	
Subtotal					163,144	57,100	
Server Software							
Microsoft Windows NT Server v. 4.0		Microsoft	1	809	1	809	0*
* All maint. is covered by the maint. Cost of Microsoft SQL Server							
Microsoft SQL Server 6.5 plus User License (w/ 5 cal)		Microsoft	1	1,399	1	1,399	10,475
Microsoft Internet Connector License		Microsoft	1	2,999	1	2,999	0*
Subtotal					5,207	10,475	
Client Hardware							
ProLiant 800 6/180 - Model 4300	273750-003		3,347	3	10,041	3,514	
64-MB Memory Kit (1x64-MB, 60 ns, ECC)	225483-001		625	6	3,750	1,313	
NetFlex 3 PCI Ethernet Controller	169810-001		162	6	972	340	
Compaq V50 Color Monitor	264150-001		373	3	1,119	392	
Subtotal					15,882	5,559	
Client Software							
Microsoft Windows NT Server v. 4.0		Microsoft	1	809	3	2,427	0*
Microsoft SQL Workstation		Microsoft	1	499	1	499	0*
Microsoft Visual C++ v. 4.0		Microsoft	1	499	1	499	0*
Subtotal					3,425	0	
User Connectivity							
NetLux 8-Port 100TX TrueFAST Ethernet Hub		NetLux	1	658	3	1,974	5 yr warranty
CentreCOM 24-Port Ethernet Hub	AT3024TR	CentreCO	M 1	215	192	41,280	5 yr warranty
Subtotal					43,254	0	
Total					\$230,912	\$73,134	
Prices used in TPC benchmarks reflect the actual prices a customer would pay for a one-time purchase of the stated components. Individually negotiated discounts are not permitted. Special prices based on assumptions about past or future purchases are not permitted. All discounts reflect standard pricing policies for the listed components. For complete details, see the pricing sections of the TPC benchmark pricing specifications. If you find that the stated prices are not available according to these terms, please inform the TPC at pricing@tpc.org. Thank you.					Five-Year Cost of Ownership: \$304,046		
					tpmC Rating: 4864.97		
					\$ / tpmC: \$62.49		
Note: The benchmark results and test methodology were audited by Lorna Livingtree of Performance Metrics, Inc.							

Numerical Quantities Summary

MQTH, Computed Maximum Qualified Throughput

4864.97 tpmC

% throughput difference, reported & reproducibility runs

0.01%

Response Times (in seconds)

	Average	90%	Maximum
New-Order	1.53	2.19	5.19
Payment	1.39	2.05	5.23
Order-Status	1.68	2.35	5.08
Delivery (interactive portion)	0.13	0.15	0.84
Delivery (deferred portion)	3.46	7.16	32.50
Stock-Level	3.51	4.62	7.77
Menu	0.13	0.15	3.14

Transaction Mix, in percent of total transaction

New-Order	43.19%
Payment	44.61%
Order-Status	4.06%
Delivery	4.09%
Stock-Level	4.05%

Emulation Delay (in seconds)

	Resp.Time	Menu
New-Order	0.1	0.1
Payment	0.1	0.1
Order-Status	0.1	0.1
Delivery (interactive)	0.1	0.1
Stock-Level	0.1	0.1

Keying/Think Times (in seconds)

	Min.	Average	Max.
New-Order	18.00/0.00	18.01/12.29	18.26/124.70
Payment	3.00/0.00	3.01/12.23	3.09/122.31
Order-Status	2.00/0.00	2.01/10.15	2.05/93.00
Delivery (interactive)	2.00/0.00	2.01/5.14	2.05/50.90
Stock-Level	2.00/0.00	2.01/5.21	2.05/45.50

Test Duration

Ramp-up time	15 minutes
Measurement interval	30 minutes
Transactions (all types) completed during measurement interval	650,507
Ramp down time	10 minutes

Checkpointing

Number of checkpoints	1
Checkpoint interval	30 minutes

