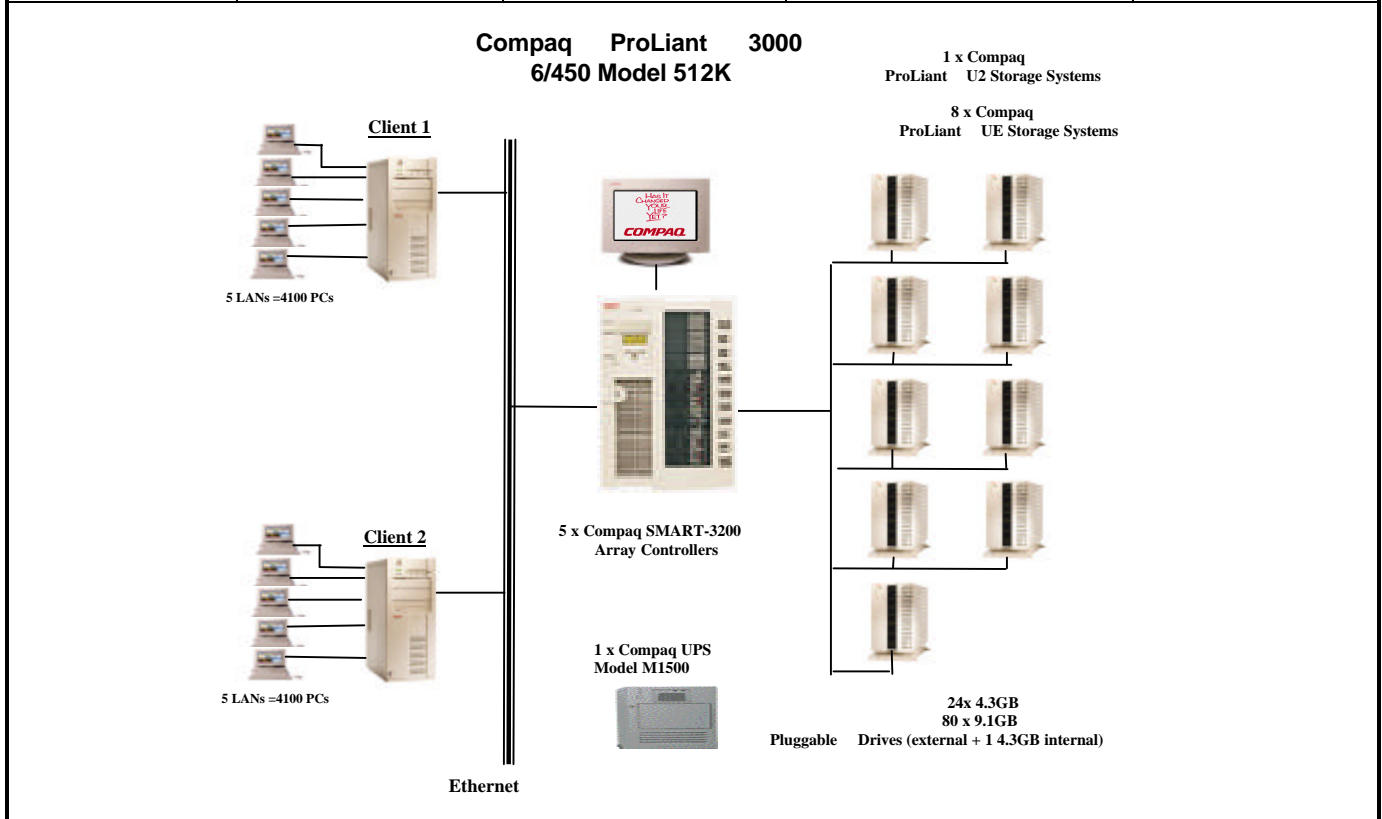


Compaq Computer Corporation		ProLiant 3000-6/450-512 C/S with 2 ProLiant 1600		TPC-C Rev. 3.4 Report Date: Nov 2,1998					
Total System Cost		TPC-C Throughput		Price/Performance		Availability Date			
\$267,824		10179.10		\$26.31		Dec 26, 1998			
Processors		Database		Operating System		Other Software		Number Users	
2 Pentium II 450 MHz		Microsoft SQL Server 7.0 Enterprise Edition		Windows NT 4.0 Enterprise Edition		NonStopTuxedo 1.3 Microsoft Visual C++ MKS Toolkit for NT		8200	



System Components	Server		Each Client	
	Quantity	Description	Quantity	Description
Processor	2	450MHz Pentium II w/ 512KB Cache	2	400MhzPentium II w/ 512K cache
Memory	6	512MB	1	396MB
Disk Controllers	5	SMART SCSI Array Controller 3200	1	Integrated Ultra SCSI Controller
Disk Drives	80	9.1GB SCSI Drive		
	25	4.3GB SCSI Drive		
Total Storage		790 GB		
Tape Drives	1	4/16 TurboDAT		

Compaq Computer Corporation		ProLiant 3000- 6/450			TPC-C REV 3.4		
Description		Part Number	Third Party Brand	Unit Price	Qty	Extended Price	5 yr. Maint. Price
Server Hardware							
ProLiant 3000-6/450-512, 128MB RAM Pentium II /450MHz - 512KB Cache 10/100 Ethernet Controller 2 x Integrated Fast-SCSI-2 Controller CD-ROM		179720-001	2	4,829	1	4,829	
ProLiant Warranty Upgrade		276535-000	2	1,150	1		1,150
Onsite 5x8 4hr Service Upgrade							7,401
ProLiant Pentium II 6/450-512K Processor		313618-B21	2	1,668	1	1,668	
512-MB DIMM Memory Module		313617-B21	2	4,025	6	24,150	
Compaq SMART Array Controller 3200		295643-B21	2	2,277	5	11,385	
ProLiant Storage System -UE		348710-002	2	1,954	8	15,631	
ProLiant Storage System -U2		304110-B22	2	1,909	1	1,909	
ProLiant Storage Warranty Upgrade		276537-001	2	430	9		3,870
4.3 GB Pluggable Fast-SCSI-2 - 10K Drive		146742-005	2	551	25	13,771	
9.1 GB Pluggable SCSI-3 Drive - 10K RPM 1		336357-B21	2	1,172	80	93,748	
Compaq VGA V55 - 15" Color Monitor		308006-001	2	246	1	246	
4/8GB DAT Drive		295353-B21	2	803	1	803	
Compaq Rack Mount UPS M1500		242704-001	2	1,058	1	1,058	
Subtotal						169,197	12,421
Server Software							
Microsoft SQL Server 7.0 Enterprise			Microsc	1	28,999	1	28,999
MKS Toolkit for NT				1	499	1	499
Microsoft Windows NT Enterprise v. 4.0			Microsc	1	3,999	1	3,999
Subtotal						33,497	10,475
Client Hardware							
ProLiant 1600 6/400 - 64MB, 100TX Nic, 4.3G		315570-001	2	2,961	2	5,923	
ProLiant Warranty Upgrade		276535-000	2	1,150	2		2,300
Onsite 5x8 4 Hr Response Maintenance			2				1,880
ProLiant 1600 6/400 Processor Option Kit		313612-B21	2	1,725	2	3,450	
64-Megabyte SD DIMM Kit		313614-B21	2	419	2	837	
128-Megabyte SD DIMM Kit		313615-B21	2	889	4	3,556	
Netelligent Dual Port 10/100 PCI NIC		242559-001	2	270	4	1,081	
Netelligent 10/100 UTP PCI NIC		169845-001	2	83	4	331	
Compaq VGA V55 - 15" Color Monitor		308006-001	2	246	2	492	
Subtotal						15,670	4,180
Client Software							
Microsoft Windows NT Server v. 4.0			Microsc	1	809	2	1,618
Microsoft Visual C++			Microsc	1	499	1	499
Compaq Non-Stop Tuxedo CS for NT - 1.3			2	1,950	2	3,900	320
Subtotal						6,017	320
User Connectivity							
Compaq 100Base-T Workgroup Hub - 4-P 8-port 10BaseT hub		348450-001	2	190	3	569	See Note 4
			2	30.10	1144	34,434	See Note 4
Subtotal						35,004	0
Large Purchase and Cash discount		10.25%	2			(\$18,958)	
Total						\$240,427	\$27,397
Prices used in TPC benchmarks reflect the actual prices a customer would pay for a one-time purchase of the stated components. Individually negotiated discounts are not permitted. Special prices based on assumptions about past or future purchases are not permitted. All discounts reflect standard pricing policies for the listed components. For complete details, see the pricing sections of the TPC benchmark pricing specifications. If you find that the stated prices are not available according to these terms, please inform the TPC at pricing@tpc.org. Thank you.					Five-Year Cost of Ownership: \$267,824		
					tpmC Rating: 10179.10		
					\$ / tpmC: \$26.31		
(Pricing: 1 = Microsoft 2 = AllStar) - Note 4 = 5 Year warranty with 10% Spares							
Note: The benchmark results and test methodology were audited by Lorna Livingtree of Performance Metrics, Inc.							

Numerical Quantities Summary

MQTH, Computed Maximum Qualified Throughput

10179.10 tpmC

% throughput difference, reported & reproducibility runs

0.89%

Response Times (in seconds)

	Average	90%	Maximum
New-Order	0.53	0.91	4.10
Payment	0.43	0.8	3.92
Order-Status	0.44	0.81	3.88
Delivery (interactive portion)	0.11	0.12	3.33
Delivery (deferred portion)	0.27	0.44	1.09
Stock-Level	1.93	2.47	4.46
Menu	0.13	0.12	4.08

Transaction Mix, in percent of total transaction

New-Order	44.79%
Payment	43.01%
Order-Status	4.05%
Delivery	4.04%
Stock-Level	4.10%

Emulation Delay (in seconds)

	Resp.Time	Menu
New-Order	N/A	N/A
Payment	N/A	N/A
Order-Status	N/A	N/A
Delivery (interactive)	N/A	N/A
Stock-Level	N/A	N/A

Keying/Think Times (in seconds)

	Min.	Average	Max.
New-Order	18.00/0.00	18.02/12.22	18.21/123.22
Payment	3.00/0.00	3.01/12.18	3.12/122.99
Order-Status	2.00/0.00	2.01/10.12	2.08/101.89
Delivery (interactive)	2.0/0.00	2.01/5.14	2.05/50.90
Stock-Level	2.00/0.00	2.01/5.14	2.08/50.90

Test Duration

Ramp-up time	30 minutes
Measurement interval	30 minutes
Transactions (all types) completed during measurement interval	674827
Ramp down time	8 minutes

Checkpointing

Number of checkpoints	1
Checkpoint interval	30 minutes