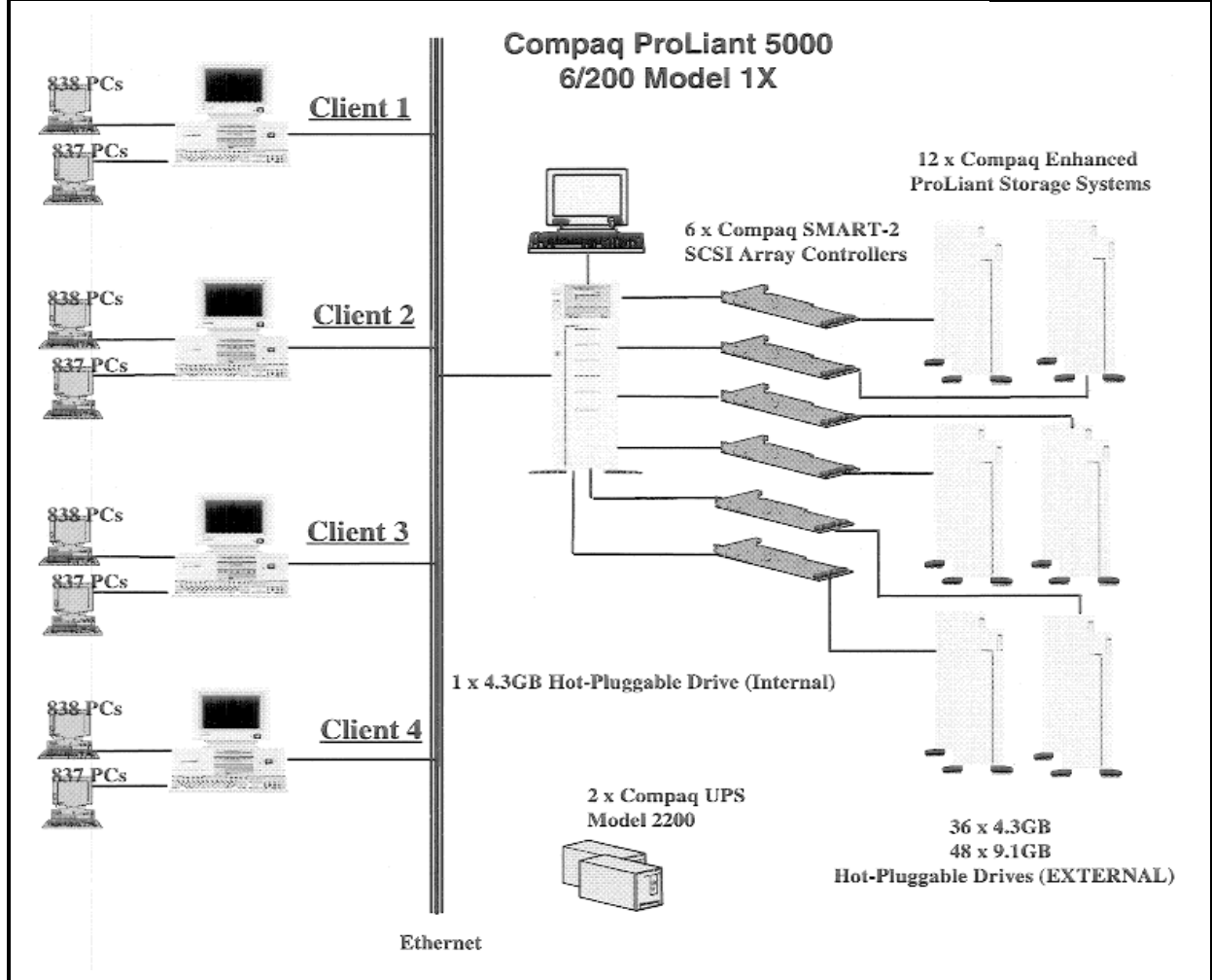


Compaq Computer Corporation		ProLiant 5000 6/200 Model 1X C/S with 4 ProLiant 800		TPC-C Rev. 3.2 Report Date: April 2, 1997	
Total System Cost		TPC-C Throughput		Price/Performance	
<b>\$465,382</b>		<b>8070.00 tpmC</b>		<b>\$57.66</b>	
Processors		Database Manager		Operating System	
4 Pentium® Pro 200 MHz		Microsoft SQL Server 6.5.247 (SP3)		Microsoft Windows NT 4.0 (SP2)	
				Other Software	
				Microsoft Internet Connector License, Microsoft Visual C++, Microsoft SQL Workstation	
				Number of Users	
				<b>6,700</b>	



System Components	Server		Clients	
	Quantity	Description	Quantity	Description
Processor	4	200MHz Pentium® Pro 512K Level 2 Cache	4	200MHz Pentium® Pro 256K Level 2 Cache
Memory	1	2048MB	4	128MB
Disk Controllers	6	SMART2/P Array Controller	4	Integrated SCSI-2
Disk Drives	47 38	9.1 GB SCSI-2 Drives 4.3GB SCSI-2 Drives	4	4.3GB SCSI-2 Drive
Total Storage		559.67GB		14.64GB
Tape Drives	1	4/16 TurboDAT		

Compaq Computer Corporation		Proliant 5000 - 6/200 (512k) Model 1X			TPC-C REV 3.2		
Client/Server		Report Date:		31-Mar-97			
Description	Part Number	Third Party	Unit Price	Qty	Extended Price	5 yr. Maint. Price	
<b>Server Hardware</b>							
<b>Brand Pricing</b>							
Proliant 5000 6/200 512K Cache - Model 1 x PentiumPro/200MHz Processor Board Netelligent 10/100 TX Ethernet Controller Integrated Fast-SCSI-2 Controller CD-ROM SmartStart Compaq System Configuration Utility	221000-001		13,230	1	13,230	4,631	
6/200 - 512K Processor Expansion Kit	219443-001		2,846	3	8,538	2,988	
1 GB DIMM Kit	241774-B21		26,460	2	52,920	18,522	
SMART-2/P SCSI Array Controller	142055-001		2,132	6	12,792	6,294	
Enhanced Proliant Storage System	189600-001		912	12	10,944	3,830	
4.3 GB Pluggable SCSI-2 Drive	146742-006		1,228	38	46,664	16,333	
9.1 GB Pluggable SCSI-2 Drive	199882-001		2,199	47	103,353	36,174	
Compaq V50 Monitor	264150-001		383	1	383	134	
Compaq Uninterruptible Power Supply M: 4\ 16GB TurboDAT Drive	142228-003 142181-001		1,486 1,095	2 1	2,972 1,095	1,040 383	
<b>Subtotal</b>					<b>252,891</b>	<b>90,329</b>	
<b>Server Software</b>							
Microsoft SQL Server 6.5 plus User License (w/ 5 cal)		Microso 1	1,399	1	1,399	10,475	
* All Microsoft maint. is covered by the maint. cost of Microsoft SQL Server.							
Microsoft Windows NT Server v. 4.0		Microso 1	809	1	809	0*	
Microsoft Internet Connector License		Microso 1	2,999	1	2,999	0*	
<b>Subtotal</b>					<b>5,207</b>	<b>10,475</b>	
<b>Client Hardware</b>							
Proliant 800 6/200 - Model 4300	273720-003		4,103	4	16,412	5,744	
64-Megabyte EDO DIMM	225483-001		637	6	3,822	1,338	
NetFlex 3 PCI Ethernet Controller	169810-001		168	8	1,344	470	
Compaq V50 Monitor	264150-001		383	4	1,532	536	
<b>Subtotal</b>					<b>23,110</b>	<b>8,089</b>	
<b>Client Software</b>							
Microsoft Windows NT Server v. 4.0		Microso 1	809	4	3,236	0*	
Microsoft SQL Workstation		Microso 1	499	1	499	0*	
Microsoft Visual C++ v. 4.0		Microso 1	499	1	499	0*	
<b>Subtotal</b>					<b>4,234</b>	<b>0</b>	
<b>User Connectivity</b>							
NetLux 8-Port 100TX TrueFAST Ethernet Hub		NETLUX 1	685	3	2,055	5 yr warranty	
Allied Telesyn 24-port hub		Allied 1	224	308	68,992	5 yr warranty	
<b>Subtotal</b>					<b>71,047</b>	<b>0</b>	
<b>Total</b>					<b>\$356,489</b>	<b>\$108,893</b>	
Prices used in TPC benchmarks reflect the actual prices a customer would pay for a one-time purchase of the stated components. Individually negotiated discounts are not permitted. Special prices based on assumptions about past or future purchases are not permitted. All discounts reflect standard pricing policies for the listed components. For complete details, see the pricing sections of the TPC benchmark pricing specifications. If you find that the stated prices are not available according to these terms, please inform the TPC at pricing@tpc.org. Thank you.				<b>Five-Year Cost of Ownership: \$465,382</b>			
				<b>tpmC Rating: 8070.00</b>			
				<b>\$ / tpmC: \$57.66</b>			
Note: The benchmark results and test methodology were audited by Lorna Livingtree of Performance Metrics, Inc.							

## Numerical Quantities Summary

**MQTH, Computed Maximum Qualified Throughput**

**8070.00 tpmC**

% throughput difference, reported & reproducibility runs

0.0007%

**Response Times (in seconds)**

	<b>Average</b>	<b>90%</b>	<b>Maximum</b>
New-Order	0.85	1.27	4.99
Payment	0.69	1.09	3.51
Order-Status	1.00	1.50	5.25
Delivery (interactive portion)	0.13	0.16	3.07
Delivery (deferred portion)	1.01	1.40	9.77
Stock-Level	3.23	4.75	9.02
Menu	0.13	0.16	3.08

**Transaction Mix, in percent of total transaction**

New-Order	44.65%
Payment	43.14%
Order-Status	4.06%
Delivery	4.08%
Stock-Level	4.07%

**Emulation Delay (in seconds)**

	<b>Resp.Time</b>	<b>Menu</b>
New-Order	0.1	0.1
Payment	0.1	0.1
Order-Status	0.1	0.1
Delivery (interactive)	0.1	0.1
Stock-Level	0.1	0.1

**Keying/Think Times (in seconds)**

	<b>Min.</b>	<b>Average</b>	<b>Max.</b>
New-Order	18.01/0.06	18.00/12.30	18.26/123.50
Payment	3.01/0.07	3.00/12.35	3.23/123.50
Order-Status	2.01/0.10	2.01/10.33	2.09/94.10
Delivery (interactive)	2.01/0.10	2.01/5.16	2.08/51.40
Stock-Level	2.01/0.09	2.01/5.13	2.23/49.30

**Test Duration**

Ramp-up time	69 minutes
Measurement interval	30 minutes
Transactions (all types) completed during measurement interval	1,098,433
Ramp down time	10 minutes

**Checkpointing**

Number of checkpoints	1
Checkpoint interval	30 minutes