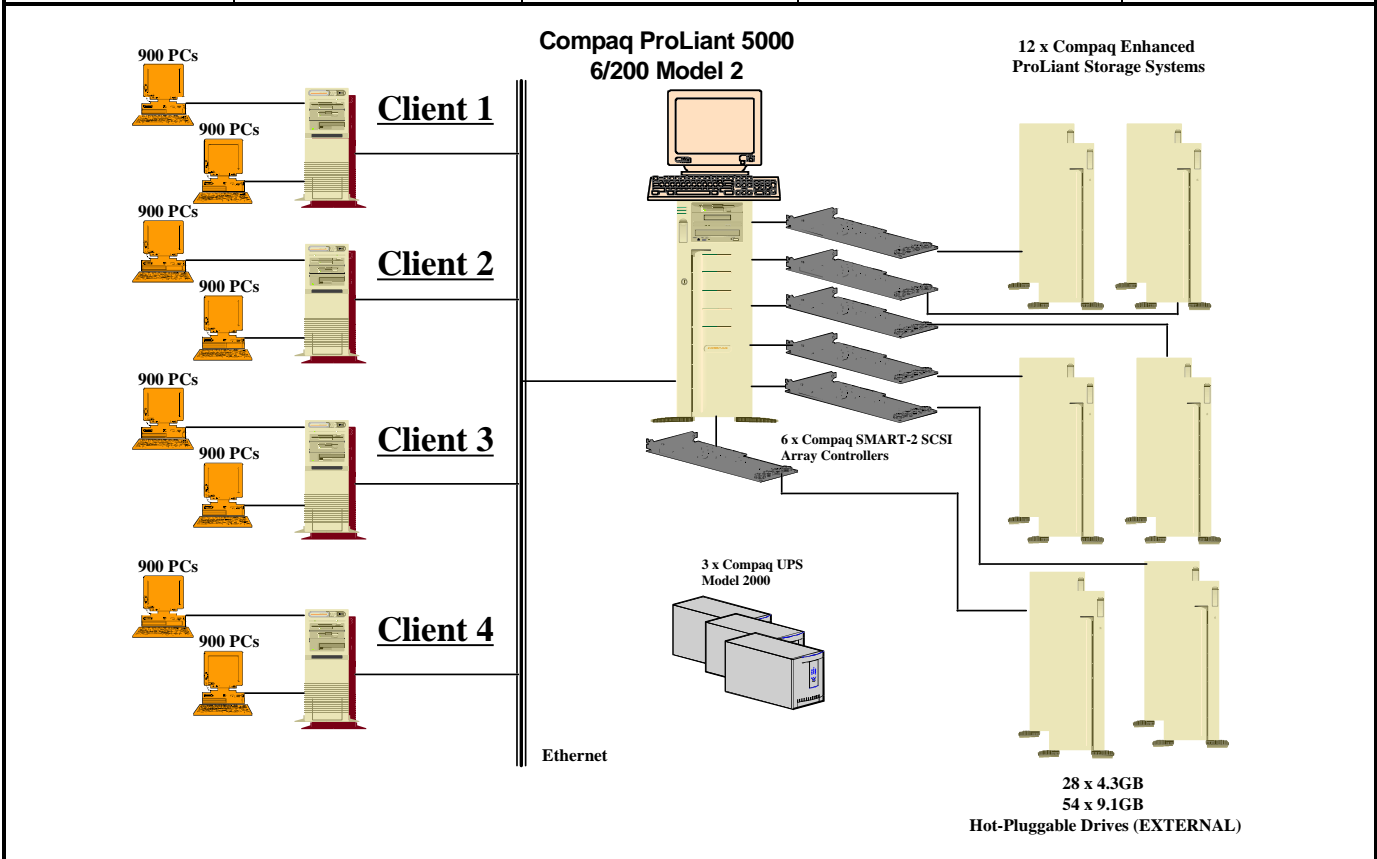


Compaq Computer Corporation	ProLiant 5000 6/200 Model 2	TPC-C Rev. 3.2
	C/S with 4 ProLiant 6/200	Report Date: Oct 15, 1996

Total System Cost	TPC-C Throughput	Price/Performance	Availability Date
\$792,738.00	8,311.43 tpmC	\$95.37	HW-December 1996 SW-March 1997

Processors	Database Manager	Operating System	Other Software	Number of Users
4 PentiumPro® 200MHz	Sybase SQL Server 11.0.3	SCO UnixWare 2.1.1	Tuxedo 4.2.2v2 Sybase Open Client/C	7,200



System Components	Server		Clients	
	Quantity	Description	Quantity	Description
Processor	4	200MHz PentiumPro® 512K Level 2 Cache	4	200MHz PentiumPro®
Memory	1	4096MB	4	384MB
Disk Controllers	6	SMART2/P Array Controller	4	SMART-2 SCSI Controller
Disk Drives	54	9.1GB SCSI-2 Drives	4	2.1GB SCSI-2 Drive
	28	4.3GB SCSI-2 Drives		
Total Storage		611.8GB		8.4GB
Tape Drives	1	4/16 TurboDAT		

Compaq Computer Corporation		Proliant 5000 - 6/200 (512k) Model 2			TPC-C REV 3.2		
Client/Server		Report Date:		15-Oct-96			
Description	Part Number	Third Party	Unit Price	Qty	Extended Price	5 yr. Maint. Price	
Server Hardware		Brand Pricing					
Proliant 5000 6/200 512K Cache - Model 2 2 x PentiumPro/200MHz Processor Board Netelligent 10/100 TX Ethernet Controller Integrated Fast-SCSI-2 Controller CD-ROM SmartStart Compaq System Configuration Utility	221000-002		18,700	1	18,700	7,480	
6/200 - 512K Processor Expansion Kit	219443-001		3,255	2	6,510	2,604	
1 GB DIMM Kit	241774-B21		30,450	4	121,800	48,720	
SMART-2 SCSI Array Controller	142055-001		2,098	6	12,588	5,035	
Enhanced Proliant Storage System	189600-001		1,205	12	14,460	5,784	
4.3 GB Pluggable SCSI-2 Drive	146742-006		1,351	28	37,828	15,131	
9.1 GB Pluggable SCSI-2 Drive	199882-001		2,090	54	112,860	45,144	
Compaq VGA Monochrome Monitor	194951-001		197	1	197	79	
Compaq Uninterruptible Power Supply M2000	142228-003		934	3	2,802	1,121	
4\16GB TurboDAT Drive	142181-001		1,084	1	1,084	434	
Subtotal					328,829	131,532	
Server Software							
SCO UnixWare 2.1 Application Server	185911-001		933	1	933	12,000	
SCO UnixWare 2.1 1- Processor Upgrade	185911-007		717	2	1,434	Included Above	
SCO UnixWare 100 user license upgrade	185911-004		1,726	2	3,451	Included Above	
Sybase System XI.		Sybase	34,995	1	34,995	27,996	
Subtotal					40,813	39,996	
Client Hardware							
Proliant 6/200 - Model 1	250960-001		7,179	4	28,716	11,486	
6/200 - 256K Processor Expansion Kit	264366-001		1,375	4	5,500	2,200	
256 MB DIMM Kit	271910-001		8,591	4	34,364	13,746	
128 MB DIMM Kit	271909-001		3,708	4	14,832	5,933	
2.1-GB Pluggable Fast-Wide SCSI-2 Drive	146742-007		923	4	3,692	1,477	
NetFlex 3 PCI Ethernet Controller	169810-001		168	8	1,344	538	
Compaq VGA Monochrome Monitor	194951-001		197	4	788	315	
Subtotal					89,236	35,694	
Client Software							
SCO UnixWare 2.1 Application Server	185911-001		933	4	3,732	Included Above	
SCO UnixWare unlimited user license upgrade	185911-006		7,486	4	29,942	Included Above	
SCO UnixWare 2.1 Development System			228	1	228	Included Above	
Tuxedo 4.2.2		BEA	1,200	4	4,800	3,600	
Subtotal					38,702	3,600	
User Connectivity							
NETLUX 24 Port Ethernet hub + 10% spares		NETLUX	251	336	84,336	5 yr warranty	
NETLUX 8-port TrueFAST Ethernet Hub			595	1	595	5 yr warranty	
Subtotal					84,336	0	
Total					\$581,916	\$210,822	
Note: The benchmark results and test methodology were audited by Richard Gimarc of Performance Metrics, Inc.				Five-Year Cost of Ownership: \$792,738 tpmC Rating: 8311.43 \$ / tpmC: \$95.37			