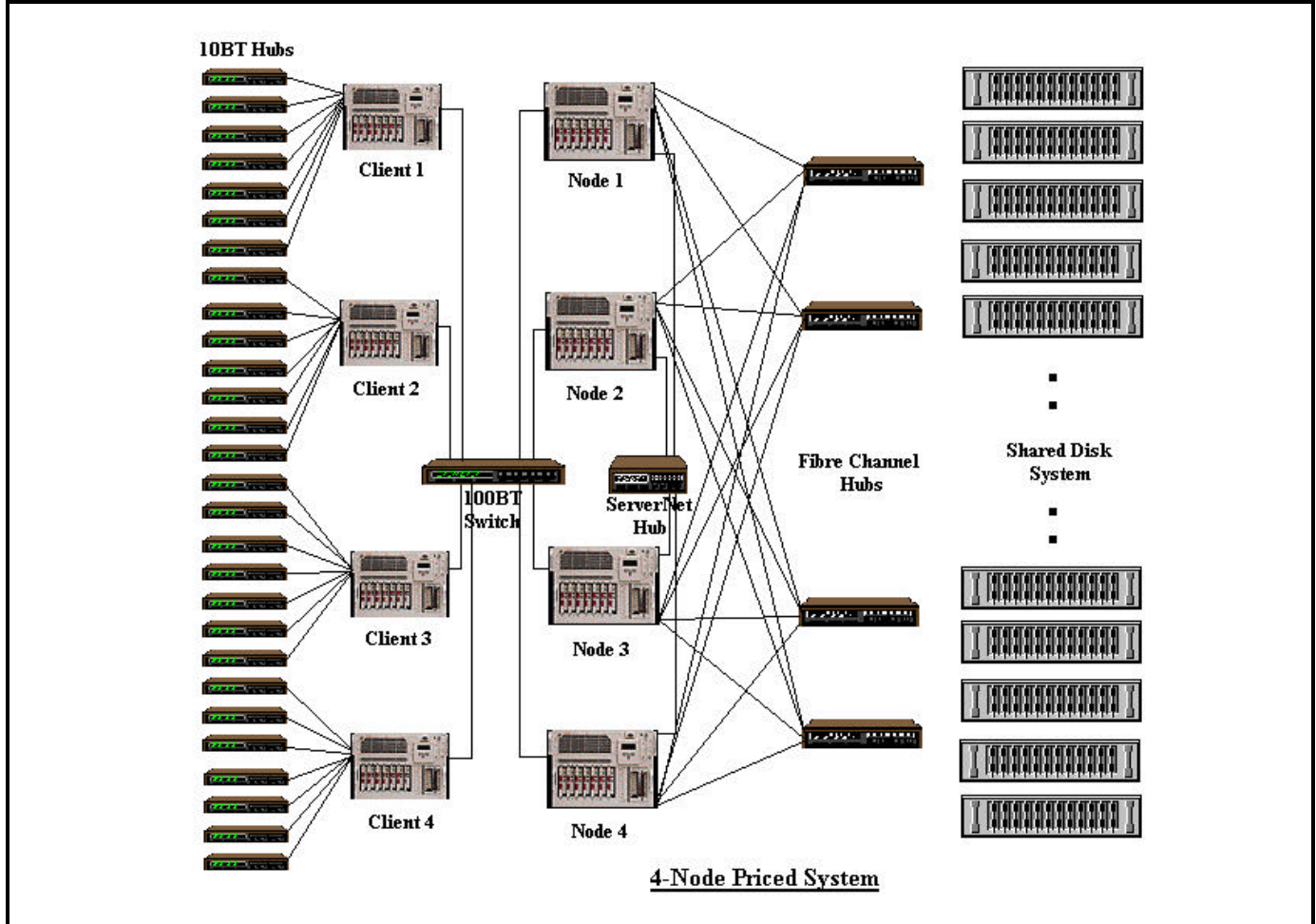


Compaq Computer Corporation	ProLiant 6500-PDC/O1000	TPC-C Rev. 3.4
	C/S with 4 ProLiant 1850R	Report Date: Dec 22, 1998

Total System Cost	TPC-C Throughput	Price Performance	Availability Date
\$1,692,980	33935.90 tpmC	\$49.88	December 22, 1998

Processors	Database Manager	Operating System	Other Software	Number of Users
16 Pentium Xeon® 400MHz	ORACLE8 Parallel Server v8.05	Windows NT Enterprise v4.0	MKS Toolkit for Windows NT, Compaq (Digital) DB Web Connector v1.1	28000



System Components	Server		Clients	
	Quantity	Description	Quantity	Description
Processor	16	Pentium Xeon/400MHz 1024K Cache	8	2 Pentium II 6/400
Memory	4	3.25 GB	4	512 MB
Disk Controllers	4	Fibre Channel Host Adapter	4	Integrated Fast-SCSI-2 Controller
Disk Drives	32	Fibre Channel Enclosure & Array Controller	4	4.3GB Drive
	384	9.1GB SCSI Drive		
	4	4.3 GB SCSI Drive		
Total Storage		3494 GB		
Tape Drives	1	4/8 GB DAT drive		

Compaq Computer Corporation		ProLiant 6500-PDC/O 1000		TPC-C REV 3.4			
Description		Part Number	Third Party	Unit Price	Qty	Extended Price	5 yr. Maint. Price
Server Hardware							
Brand Pricing							
Pro Liant 6500-6/400-1024, 256MB RAM Pentium Xeon /400MHz - 1024KB Cache 10/100 Ethernet Controller 2 x Integrated Fast-SC SI-2 Controller CD-ROM	179610-001		2	20,700	4	82,800	
Pro Liant Warranty Upgrade	276535-000		2	1,150	4		4,600
Onsite 5x8 4hr Service Upgrade							55,580
512-MB DIMM Memory Module	313617-B21		2	3,910	24	93,840	
Fibre Channel Host Adapter Kit	223180-B21		2	1,840	16	29,440	
Fibre Channel Enclosure & Array Controller	223100-001		2	6,935	32	221,904	
Fibre Channel Storage Hub 12	295573-001		2	6,094	4	24,375	
Pro Liant Storage Warranty Upgrade	276537-001		2	430	32		13,760
4.3 GB Pluggable Fast-SC SI-2 -	146742-005		2	574	4	2,295	
9.1 GB Pluggable SC SI-3 Drive - 10K RPM	1336357-B21		2	1,162	384	446,016	
Compaq ServerNet PCI Adapter	N3106		2	943	4	3,772	
Compaq ServerNet Switch - 6 Port	Nxxxxx		2	3,174	1	3,174	
Compaq VGA V55 - 15" Color Monitor	308006-001		2	246	4	984	
Compaq Rackmount UPS M1500	242704-001		2	1,058	2	2,116	
4/8GB DAT Drive	295353-B21		2	803	1	803	
Compaq Rack 42u	165664-001		2	1,725	4	6,900	
Subtotal						918,420	73,940
Server Software							
Oracle OPS v 8.05		Oracle	1	299,000	1	299,000	299,000
MKS Toolkit for NT		MKS	2	499	4	1,996	5 Yr WTY
Microsoft Windows NT Enterprise v. 4.0		Microsoft	2	3,999	4	15,996	Incl Above
Subtotal						316,992	299,000
Client Hardware							
Pro Liant 1850R 6/400 - 64MB B,100TX Nic, 4.3333100-001			2	3,191	4	12,765	
Pro Liant Warranty Upgrade	276535-000		2	1,150	4		4,600
Onsite 5x8 4 Hr Response Maintenance			2				4,478
Pro Liant 1600 6/400 Processor Option Kit	313612-B21		2	1,725	4	6,900	
64-Megabyte SD DIMM Kit	313614-B21		2	419	4	1,674	
128-Megabyte SD DIMM Kit	313615-B21		2	889	12	10,667	
Netelligent Dual Port 10/100 PCI NIC	242559-001		2	270	16	4,324	
Compaq VGA V55 - 15" Color Monitor	308006-001		2	246	4	984	
Subtotal						37,315	9,078
Client Software							
Microsoft Windows NT Server v. 4.0		Microsoft	2	809	4	3,236	Incl. Above
Microsoft Visual C++		Microsoft	2	499	1	499	Incl. Above
Compaq (Digital) DBWeb Connector v1.1			2	1,900	4	7,600	640
Subtotal						11,335	640
User Connectivity							
Compaq SW3322 24 Port Switch	355300-B21		2	2,484	3	7,452	See Note 4
8-port 10BaseT Hub		Generic	2	30.10	3881	116,818	See Note 4
Subtotal						124,270	0
Large Purchase and Cash discount	10.25%		2				
Total						\$1,310,323	\$382,657
Prices used in TPC benchmarks reflect the actual prices a customer would pay for a one-time purchase of the stated components. Individually negotiated discounts are not permitted. Special prices based on assumptions about past or future purchases are not permitted. All discounts reflect standard pricing policies for the listed components. For complete details, see the pricing sections of the TPC benchmark pricing specifications. If you find that the stated prices are not available according to these terms, please inform the TPC at pricing@tpc.org. Thank you.						Five-Year Cost of Ownership: \$1,692,980	
						tpmC Rating: 33935.90	
						\$ / tpmC: \$49.88	
(Pricing: 1 = Oracle 2 = AllStar) - Note 4 = 5 Year warranty with 10% Spares							
Note: The benchmark results and test methodology were audited by Lorna Livingtree of Performance Metrics, Inc.							

Numerical Quantities Summary

MQTH, Computed Maximum Qualified Throughput

33935.90 tpmC

% throughput difference, reported & reproducibility runs

0.42%

Response Times (in seconds)

	Average	90%	Maximum
New-Order	0.82	1.76	84.40
Payment	0.87	1.80	83.62
Order-Status	0.76	1.70	7.02
Delivery (interactive portion)	0.36	0.70	2.71
Delivery (deferred portion)	0.75	1.42	8.92
Stock-Level	1.36	2.47	9.03
Menu	0.30	0.71	2.81

Transaction Mix, in percent of total transaction

New-Order	44.982%
Payment	43.002%
Status	4.005%
Delivery	4.006%
Stock-Level	4.005%

Emulation Delay (in seconds)

	Resp.Ti me	Menu
New-Order	0.10	0.10
Payment	0.10	0.10
Order-Status	0.10	0.10
Delivery (interactive)	0.10	0.10
Stock-Level	0.10	0.10

Keying/Think Times (in seconds)

	Min.	Average	Max.
New-Order	18.000/0.000	18.002/12.30 2	18.086/122.976
Payment	3.000/0.000	3.004/12.007	3.065/119.897
Order-Status	2.000/0.000	2.002/10.010	2.086/99.600
Delivery (interactive)	2.000/0.000	2.002/5.002	2.083/48.371
Stock-Level	2.000/0.000	2.002/5.002	2.084/49.712

Test Duration

Ramp-up time	22 minutes
Measurement interval	30 minutes
Transactions (all types) completed during measurement interval	2,263,306
Ramp down time	46 minutes

Checkpointing

Number of checkpoints	1
Checkpoint interval	30 minutes