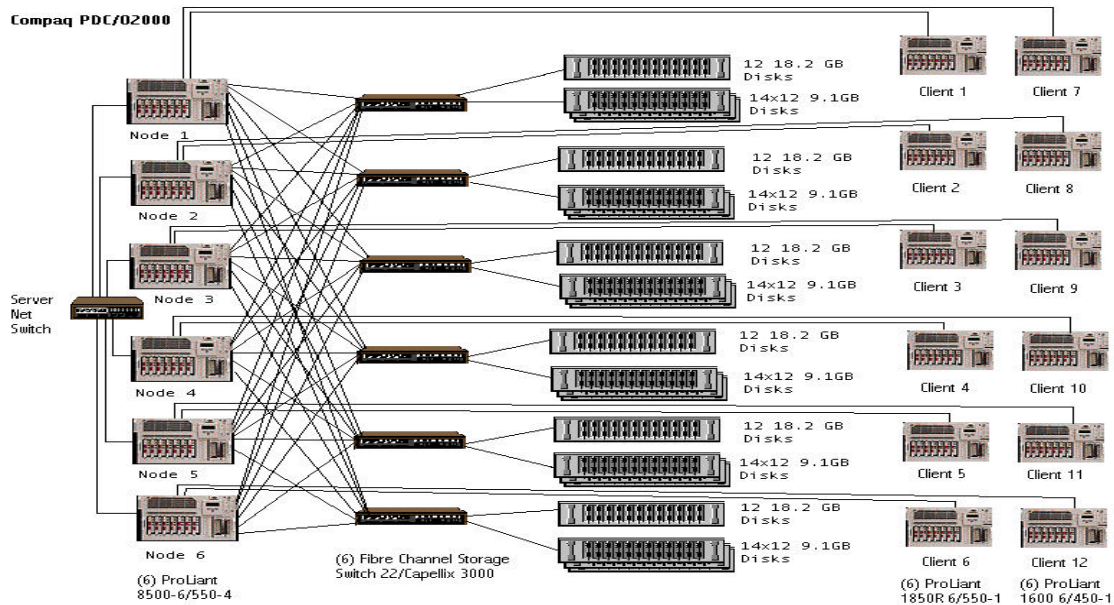


Compaq Computer Corporation		Compaq PDC/O2000 Client/Server		TPC-C Rev. 3.5	
				Report Date: Dec 22, 1999	
Total System Cost		TPC-C Throughput		Price Performance	
<b>\$3,886,116</b>		<b>99274.90 tpmC</b>		<b>\$39.14</b>	
Availability Date		Processors		Database Manager	
<b>March 31, 2000*</b>		48 Pentium Xeon® 550MHz		Oracle8i Enterprise Edition v8.1.6.0	
Operating System		Other Software		Number of Users	
Windows NT Enterprise v4.0		MKS Toolkit for Windows NT, Compaq DB Web Connector v1.1		<b>85680</b>	



System Components	Server		Clients	
	Quantity	Description	Quantity	Description
Processor	48	Pentium Xeon/550MHz 2048K Cache	12	Pentium III 6/550
Memory	6	4 GB	12	Pentium II 6/450
Disk Controllers	6	64bit/66MHz Fibre Channel Host Adapter		
	30	RA4000 Host Adapter Kits		
	90	RA4000 Kits		
	6	Fibre Channel Storage Switch 22/Capellix 3000		
Disk Drives	1014	9.1 GB SCSI Drive	12	9.1 GB SCSI Drive
	72	18.2 GB SCSI Drive		
Total Storage		9786.04 GB		
Tape Drives	1	4/8 GB DAT Drive		

\* Hardware available now.

Compaq Computer Corporation		Compaq PDC/O2000		TPC-C Rev. 3.5		
		Client/Server		Report Date:		22-Dec-99
Description	Part Number	Third Party	Unif Price	Qty	Extended Price	5 yr. Maint. Price
<b>Server Hardware</b>						
<b>Brand Pricing</b>						
ProLiant 8500-6/550-4	323300-001	1	49,280	6	295,680	
4-Pentium Xeon /550MHz - 2MB Cache 10/100 NIC, 2x SCSI, CD ROM						
ProLiant Xeon 550 - 2MB Processor Kit	146170-B21	1	6,048	24	145,152	
512MB SD RAM Memory Kit (2 x 256MB)	238807-B21	1	1,652	48	79,296	
64bit/66MHz Fiber Channel Host Adapter	120186-B21	1	1,562	6	9,374	
RA4000 Host Adapter Kit/PCI	223180-B21	1	1,562	30	46,872	
RA4000 (Rack) Kit	223100-001	1	6,754	90	607,824	
Fibre Channel Storage Switch 22/Capellix 3000	0000000-01	Gadzoos	19,080	6	114,480	
9.1 GB Pluggable SCSI-3 Drive - 10K RPM	328939-B22	1	604	1014	612,132	
18 GB Pluggable SCSI-3 Drive - 10K RPM	128418-B22	1	1,152	72	82,979	
Compaq ServerNet PCI Adapter	309833-B21	1	981	6	5,887	
Compaq ServerNet Switch - 6 Port	327337-001	1	3,351	1	3,351	
Compaq V500 Color Monitor	325900-001	1	203	6	1,216	
Compaq UPS Model T2400h-NA	242688-007	1	936	10	9,363	
4/8GB DAT Drive	295353-B21	1	703	1	703	
Compaq Rack Model 7142 (42u)	165753-001	1	1,680	11	18,480	
ProLiant Enterprise Server - Parts Exchange - 1 Year	FM-HEPRT-12	1	597	12		7,164
ProLiant Storage System - Parts Exchange - 1 Year	FM-STPRT-12	1	255	180		45,900
Onsite 5x8 4 Hr Service Upgrade to Compaq Standard offering		Allstar				203,279
<b>Subtotal</b>					<b>2,032,789</b>	<b>256,343</b>
<b>Server Software</b>						
Oracle OPS v 8.1.6		Oracle	2	665,942	1	665,942
MKS Toolkit for NT		MKS	1	499	1	499
Microsoft Windows NT Enterprise v. 4.0		Microsoft	1	3,999	6	23,994
<b>Subtotal</b>					<b>690,435</b>	<b>665,942</b>
<b>Client Hardware</b>						
ProLiant 1850R 6/550-1 - 128MB,100TX Nic	123740-001	1	4,032	6	24,192	
ProLiant 1600 6/450-1 - 64MB,100TX Nic	313650-001	1	1,960	6	11,760	
Pentium III 550MHz 512KB Processor Option Kit	124779-B21	1	1,007	8	8,055	
Pentium II 450 MHz 512KB Processor Option Kit	313618-B21	1	671	4	2,684	
128-Megabyte SD DIMM Kit	313615-B21	1	409	42	17,170	
Compaq V500 Color Monitor	325900-001	1	203	12	2,433	
NC3122 PCI Dual 10/100 Controller	317450-B21	1	235	36	8,460	
9.1 GB Pluggable SCSI-3 Drive - 10K RPM	328939-B22	1	604	12	7,248	
ProLiant Workgroup Server - Parts Exchange - 1 Year	FM-LOPRT-12	1	259	12		3,108
Onsite 5x8 4 Hr Service Upgrade to Compaq Standard offering		Allstar				8,200
<b>Subtotal</b>					<b>82,001</b>	<b>11,308</b>
<b>Client Software</b>						
Microsoft Windows NT Server v. 4.0		Microsoft	1	809	12	9,708
Microsoft Visual C++		Microsoft	1	499	1	499
Compaq ACMSxp DBWeb Connector v1.1			1	1,900	12	22,800
<b>Subtotal</b>					<b>33,007</b>	<b>1,920</b>
<b>User Connectivity</b>						
SW3322 24 Port Dual Speed Switch	355300-B21	1	1,679	8	13,431	See Note 1
8-port 10BaseT hub		Generic	1	29.00	11920	345,680
<b>Subtotal</b>					<b>359,111</b>	<b>0</b>
Large Purchase and Cash discount	9.0%	1			(\$222,651)	(\$24,089)
<b>Total</b>					<b>\$2,974,692</b>	<b>\$911,424</b>
Prices used in TPC benchmarks reflect the actual prices a customer would pay for a one-time purchase of the stated components. Individually negotiated discounts are not permitted. Special prices based on assumptions about past or future purchases are not permitted. All discounts reflect standard pricing policies for the listed components. For complete details, see the pricing sections of the TPC benchmark pricing specifications. If you find that the stated prices are not available according to these terms, please inform the TPC at pricing@tpc.org. Thank you.				<b>Five-Year Cost of Ownership: \$3,886,116</b>		
				<b>tpmC Rating: 99,274.90</b>		
				<b>\$ / tpmC: \$39.14</b>		
Pricing: 1=Allstar Systems 2=Oracle 3=Gadzoos						
Note 1 = 5 Year warranty with 10% Spares - Note 2 =						
Note: The benchmark results and test methodology were audited by Lorna Livingtree of Performance Metrics, Inc.						

## Numerical Quantities Summary

### MQTH, Computed Maximum Qualified Throughput

**99274.900 tpmC**

% throughput difference, reported & reproducibility runs

0.12%

### Response Times (in seconds)

**Average**

**90%**

**Maximum**

New-Order	1.083	2.579	132.445
Payment	1.054	2.400	125.003
Order-Status	0.987	2.416	16.095
Delivery (interactive portion)	0.384	0.482	20.300
Delivery (deferred portion)	1.708	4.485	39.798
Stock-Level	2.285	3.870	19.715
Menu	0.305	0.424	8.429

### Transaction Mix, in percent of total transaction

New-Order	44.978%
Payment	43.007%
Order-Status	4.004%
Delivery	4.007%
Stock-Level	4.004%

### Emulation Delay (in seconds)

**Resp.Time**

**Menu**

New-Order	0.10	0.10
Payment	0.10	0.10
Order-Status	0.10	0.10
Delivery (interactive)	0.10	0.10
Stock-Level	0.10	0.10

### Keying/Think Times (in seconds)

**Min.**

**Average**

**Max.**

New-Order	18.000/0.000	18.001/14.003	18.044/139.950
Payment	3.000/0.000	3.001/12.003	3.044/119.920
Order-Status	2.000/0.000	2.001/10.008	2.034/99.979
Delivery (interactive)	2.000/0.000	2.001/5.003	2.039/49.900
Stock-Level	2.000/0.000	2.001/5.007	2.039/49.737

### Test Duration

Ramp-up time	31 minutes 45 sec
Measurement interval	30 minutes
Transactions (all types) completed during measurement interval	6621508
Ramp down time	16 minutes 45 sec

### Checkpointing

Number of checkpoints	1
Checkpoint interval	30 minutes