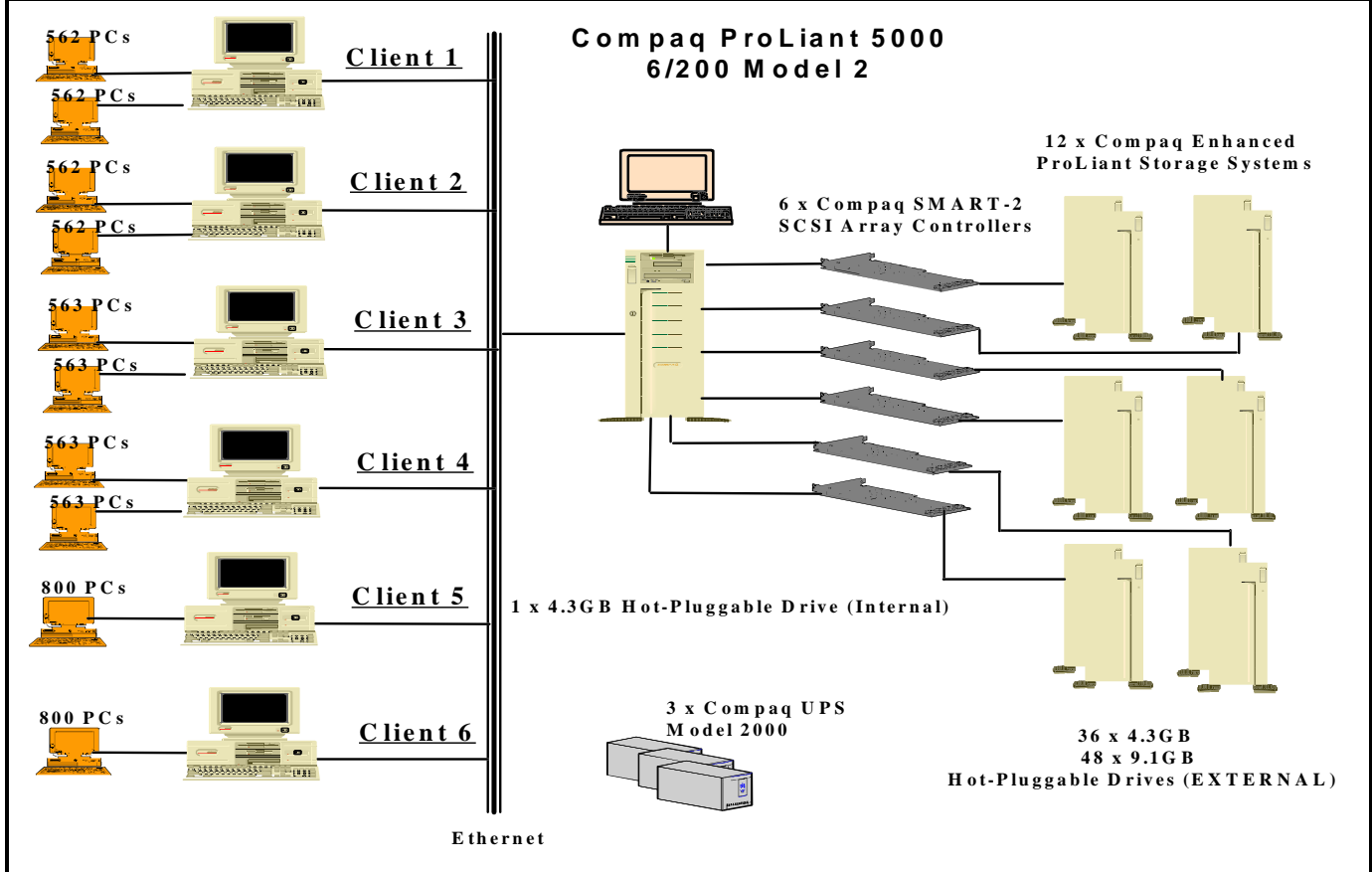


Compaq Computer Corporation	ProLiant 5000 6/200 Model 2 C/S with 4 DeskPro 4000 and 2 Prosignia 300	TPC-C Rev. 3.2
		Report Date: Oct 1, 1996

Total System Cost	TPC-C Throughput	Price/Performance	Availability Date
\$601,827.00	6,671.67 tpmC	\$90.20	December 1996

Processors	Database Manager	Operating System	Other Software	Number of Users
4 Pentium® Pro 200 MHz	Microsoft SQL Server 6.5	Microsoft Windows NT 4.0	Microsoft Internet Connector License, Microsoft Visual C++, Microsoft SQL Server Programmer's Toolkit	6,100



System Components	Server		Clients	
	Quantity	Description	Quantity	Description
Processor	4	200MHz Pentium® Pro 512K Level 2 Cache	4	200MHz Pentium® Pro 256K Level 2 Cache
Memory	1	2048MB	2	150MHz Pentium®
			4	128MB
Disk Controllers	6	SMART2/P Array Controller	2	144MB
			4	Adaptec 2940 SCSI Controller
Disk Drives	48	9.1 GB SCSI-2 Drives	4	2.5GB SCSI-2 Drive
	37	4.3GB SCSI-2 Drives	2	1.05GB SCSI-2 Drive
Total Storage		595.9GB		14.25GB
Tape Drives	1	4/16 TurboDAT		

Compaq Computer Corporation		Compaq Proliant 5000 - 6/200 Model 2			TPC-C REV 3.2		
Client/Server		Report Date: 1-Oct-1996					
Description	Part Number	Third Party	Unit Price	Qty	Extended Price	5 yr. Maint. Price	
Server Hardware							
		Brand	Pricing				
Proliant 5000 6/200 - Model 2	221000-002		18,700	1	18,700	9,350	
2 x PentiumPro/200MHz Processor Board							
Netelligent 10/100 TX Ethernet Controller							
Integrated Fast-SCSI-2 Controller							
CD-ROM							
SmartStart							
Compaq System Configuration Utility							
6/200 - 512K Processor Expansion Kit	219443-001		3,255	2	6,510	3,255	
512 MB DIMM Kit	219285-001		23,642	4	94,568	47,284	
SMART-2 SCSI Array Controller	142055-001		2,098	6	12,588	6,294	
Enhanced Proliant Storage System	189600-001		1,205	12	14,460	7,230	
4.3 GB Pluggable SCSI-2 Drive	146742-006		1,351	37	49,987	24,994	
9.1 GB Pluggable SCSI-2 Drive	199882-001		2,090	48	100,320	50,160	
Compaq VGA Monochrome Monitor	194951-001		197	1	197	99	
Compaq Uninterruptible Power Supply M2000	142228-003		934	3	2,802	1,401	
4\16GB TurboDAT Drive	142181-001		1,084	1	1,084	542	
Subtotal					301,216	150,609	
Server Software							
Microsoft Windows NT Server v. 4.0		Microsoft	1	809	1	809	0*
Microsoft SQL Server 6.5 plus User License (w/ 5 cal)		Microsoft	1	1,399	1	1,399	10,475
Microsoft Internet Connector License		Microsoft	1	2,999	1	2,999	0*
Subtotal					5,207	10,475	
Client Hardware							
Deskpro 4000 6/200, 32 MB, 2.5 GB HD, Ethernet NIC	247570-002		3,542	4	14,168	7,084	
Prosignia 300 Model 5/150, Model 1, 16 MB	262300-001		2,417	2	4,834	2,417	
1 GB Fast SCSI Disk Drive	142018-001		349	2	698	349	
64MB EDO Memory Expansion Kit (2x32) (60ns)	243014-002		616	6	3,696	1,848	
64MB Memory Expansion Kit (2x32) (70ns)	148191-001		1,407	4	5,628	2,814	
NetFlex 3 PCI Ethernet Controller	169810-001		168	10	1,680	840	
Compaq VGA Monochrome Monitor	194951-001		197	6	1,182	591	
Subtotal					31,886	15,943	
Client Software							
Microsoft Windows NT Server v. 4.0		Microsoft	1	809	6	4,854	0*
Microsoft SQL Server Programmer's Toolkit		Microsoft	1	499	1	499	0*
Microsoft Visual C++ v. 4.0		Microsoft	1	499	1	499	0*
Subtotal					5,852	0	
User Connectivity							
HTI Ultra Slimline HUB - 24 Port + 10% spares		HTI Ultra	1	280	288	80,640	5 yr warranty
Subtotal					80,640	0	
Total					\$424,801	\$177,027	
* All Microsoft maint. is covered by the maint. cost for Microsoft SQL Server							
1= Microsoft							
Note: The benchmark results and test methodology were audited by Lorna Livingtree and Richard Gmarc of Performance Metrics, Inc.							
					Five-Year Cost of Ownership: \$601,828		
					tpmC Rating: 6671.67		
					\$ / tpmC: \$90.20		

Numerical Quantities Summary

MQTH, Computed Maximum Qualified Throughput

6,750.53 tpmC

% throughput difference, reported & reproducibility runs

0.01%

Response Times (in seconds)

Average

90%

Maximum

New-Order	3.36	3.36	57.43
Payment	2.75	3.13	59.41
Order-Status	3.30	3.98	57.69
Delivery (interactive portion)	0.95	1.64	50.68
Delivery (deferred portion)	7.05	9.73	66.31
Stock-Level	5.51	6.80	59.88
Menu	0.37	0.17	51.42

Transaction Mix, in percent of total transaction

New-Order	44.66%
Payment	43.04%
Order-Status	4.09%
Delivery	4.08%
Stock-Level	4.12%

Emulation Delay (in seconds)

Resp.Time

Menu

New-Order	0.1	0.1
Payment	0.1	0.1
Order-Status	0.1	0.1
Delivery (interactive)	0.1	0.1
Stock-Level	0.1	0.1

Keying/Think Times (in seconds)

Min.

Average

Max.

New-Order	18.01/0.00	18.01/12.03	18.25/121.49
Payment	3.01/0.00	3.01/12.13	3.18/121.11
Order-Status	2.01/0.00	2.01/10.05	2.10/101.58
Delivery (interactive)	2.01/0.00	2.01/5.04	2.08/50.40
Stock-Level	2.01/0.00	2.01/5.12	2.07/49.40

Test Duration

Ramp-up time	56 minutes
Measurement interval	30 minutes
Transactions (all types) completed during measurement interval	2,179,977
Ramp down time	10 minutes

Checkpointing

Number of checkpoints	1
Checkpoint interval	30 minutes

