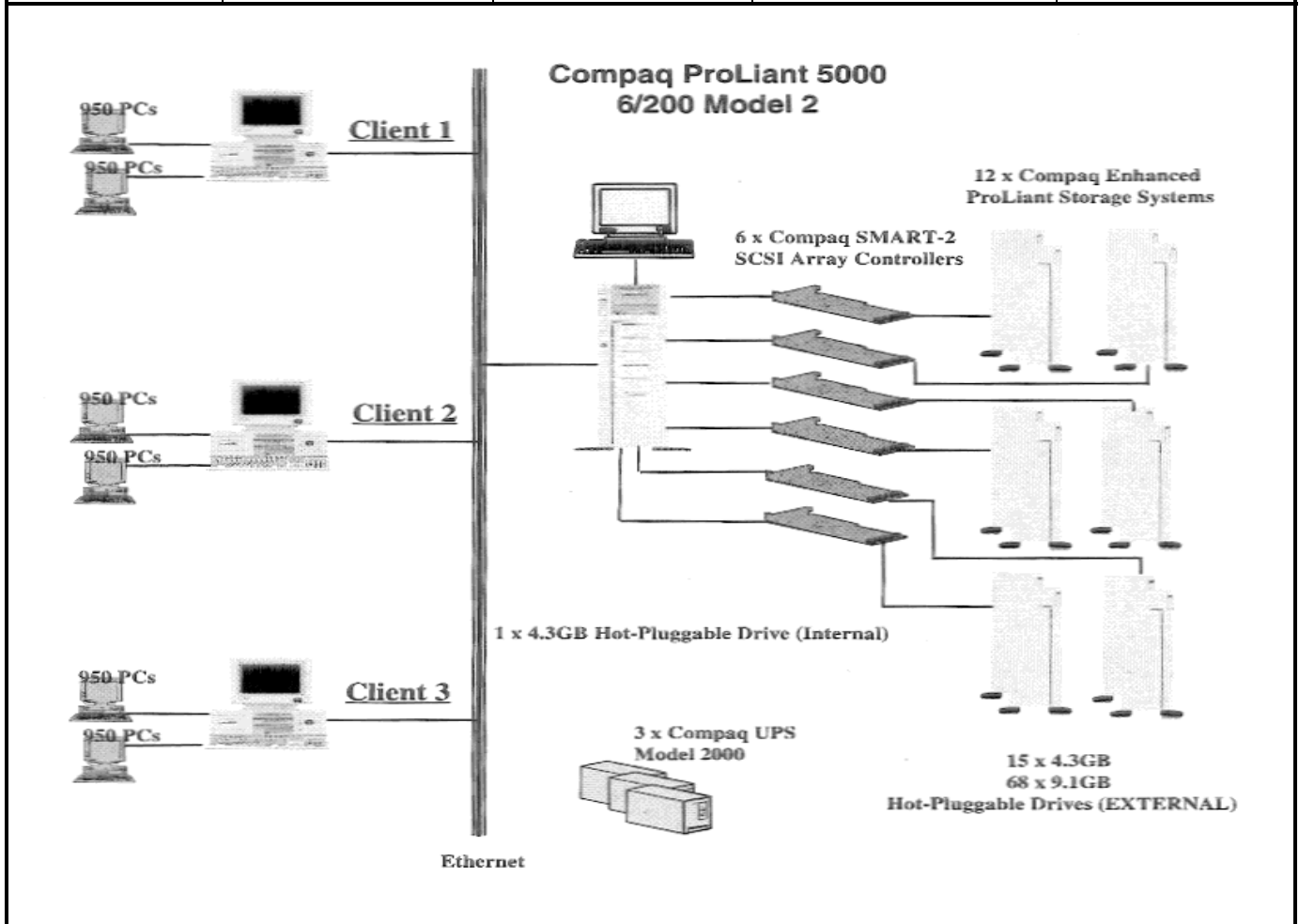


Compaq Computer Corporation	ProLiant 5000 6/200 Model 2	TPC-C Rev. 3.2
	C/S with 3 ProLiant 1500	Report Date: Dec 20, 1996

Total System Cost	TPC-C Throughput	Price Performance	Availability Date
\$606,539.00	6393.20 tpmC	\$108.61	June 30, 1997

Processors	Database Manager	Operating System	Other Software	Number of Users
4 Pentium®Pro 200 MHz	ORACLE7 7.3.3	Windows NT 4.0	Tuxedo 4.2.2v2	5700



System Components	Server		Clients	
	Quantity	Description	Quantity	Description
Processor	4	200MHz Pentium®Pro 512K Level 2 Cache	3	2 Pentium®Pro 200
Memory	1	2048MB	3	416 MB
Disk Controllers	6	SMART-2 SCSI Array Controller	3	Integrated Fast-SCSI-2 Controller
Disk Drives	68	9.1GB SCSI-2 Drive	3	2100MB SCSI-2 Drive
	15	4.3 GB SCSI-2 Drive		
Total Storage		296.7 GB		
Tape Drives	1	4/16 TurboDAT		

Compaq Computer Corporation		ProLiant 5000 - 6/200 (512k) Model 2 Client/Server			TPC-C REV 3.2		
					Report Date:	20-Dec-96	
Description	Part Number	Third Party Brand	Unit Price	Qty	Extended Price	5 yr. Maint. Price	
Server Hardware							
ProLiant 5000 6/200 512K Cache - Model 221000-002							
2 x PentiumPro/200MHz Processor Board							
Netelligent 10/100 TX Ethernet Controller							
Integrated Fast-SCSI-2 Controller							
CD-ROM							
SmartStart							
Compaq System Configuration Utility							
6/200 - 512K Processor Expansion Kit	219443-001		3,282	2	6,564	2,626	
1 GB DIMM Kit	241774-B21		30,450	2	60,900	24,360	
SMART-2/P SCSI Array Controller	194753-001		2,132	6	12,792	5,117	
Enhanced ProLiant Storage System	189600-001		1,205	12	14,460	5,784	
4.3 GB Pluggable SCSI-2 Drive	146742-006		1,351	29	39,179	15,672	
9.1 GB Pluggable SCSI-2 Drive	199882-001		2,484	57	141,588	56,635	
V50 Color Monitor	264150-001		383	1	383	153	
Compaq Uninterruptible Power Supply M2	142228-003		934	3	2,802	1,121	
4\16GB TurboDAT Drive	142181-001		1,095	1	1,095	438	
Subtotal					298,463	119,385	
Server Software							
Microsoft Windows NT 4.0		Microsc	809	1	809	10,475	
Oracle 7.3.3 Workgroup Server RDBMS for NT		Oracle	26,862	1	26,862	26,862	
MKS Toolkit for Windows NT		MKS	349	1	349	0*	
Subtotal					28,020	37,337	
Client Hardware							
ProLiant 1500 Model 2100 - 133 219700-003							
Netelligent 10/100 TX Ethernet Controller							
2.1 GB SCSI-2 Drive							
6/200 - 200MHZ PentiumPro Upgrade	228443-001		3,424	3	10,272	4,109	
6/200 256K Processor Option Kit	228411-011		918	3	2,754	1,102	
128 MB DIMM Kit	271909-001		3,464	9	31,176	12,470	
SMART-2/P SCSI Array Controller	194753-001		2,132	1	2,132	5,117	
NetFlex 3 PCI Ethernet Controller	169810-001		170	6	1,020	408	
V50 Color Monitor	264150-001		383	3	1,149	460	
Subtotal					68,363	31,609	
Client Software							
SCO UnixWare 2.1 Application Server	185911-001		933	3	2,799	12,000	
SCO Software Development Kit	185911-010		228	1	228	inc above	
SCO UnixWare unlimited user licence	185911-006		7,486	3	22,458	inc above	
Tuxedo 4.2.2		BEA	1,200	3	3,600	2,700	
Subtotal					29,085	14,700	
User Connectivity							
NetFlux 8-Port 100TX TrueFAST Ethernet Hub		NETLUX	595	2	1,190	5 yr warranty	
NetFlux 24-Port 10Base-T Ethernet Hub		NETLUX	251	264	66,264	5 yr warranty	
Subtotal					67,454	0	
Total					\$491,385	\$203,032	
<p>Prices used in TPC benchmarks reflect the actual prices a customer would pay for a one-time purchase of the stated components. Individually negotiated discounts are not permitted. Special prices based on assumptions about past or future purchases are not permitted. All discounts reflect standard pricing policies for the listed components. For complete details, see the pricing sections of the TPC benchmark pricing specifications. If you find that the stated prices are not available according to these terms, please inform the TPC at pricing@tpc.org. Thank you.</p> <p>Note: The benchmark results and test methodology were audited by Lorna Livingtree of Performance Metrics, Inc.</p>					<p>5-Year Cost of Ownership: \$694,417</p> <p>tpmC Rating: 6393.20</p> <p>\$ / tpmC: \$108.61</p>		

Numerical Quantities Summary

MQTH, Computed Maximum Qualified Throughput

6393.20 tpmC

% throughput difference, reported & reproducibility runs

0.34%

Response Times (in seconds)

Average

90%

Maximum

New-Order	1.56	3.77	28.03
Payment	0.79	1.79	4.71
Order-Status	0.24	0.42	1.59
Delivery (interactive portion)	0.00	0.01	0.13
Delivery (deferred portion)	1.17	2.27	29.69
Stock-Level	3.96	8.95	32.01
Menu	0.00	0.01	2.00

Transaction Mix, in percent of total transaction

New-Order	44.52%
Payment	43.18%
Order-Status	4.11%
Delivery	4.10%
Stock-Level	4.09%

Emulation Delay (in seconds)

Resp.Time

Menu

New-Order	N/A	N/A
Payment	N/A	N/A
Order-Status	N/A	N/A
Delivery (interactive)	N/A	N/A
Stock-Level	N/A	N/A

Keying/Think Times (in seconds)

Min.

Average

Max.

New-Order	18.01/0.00	18.01/13.74	18.43/137.91
Payment	3.01/0.00	3.01/13.74	4.71/138.38
Order-Status	2.01/0.00	2.01/11.57	2.09/114.90
Delivery (interactive)	2.01/0.00	2.01/5.75	2.32/57.40
Stock-Level	2.01/0.00	2.01/5.88	2.17/57.40

Test Duration

Ramp-up time	25 minutes
Measurement interval	30 minutes
Transactions (all types) completed during measurement interval	423,113
Ramp down time	44 minutes

Checkpointing

Number of checkpoints	1
Checkpoint interval	30 minutes