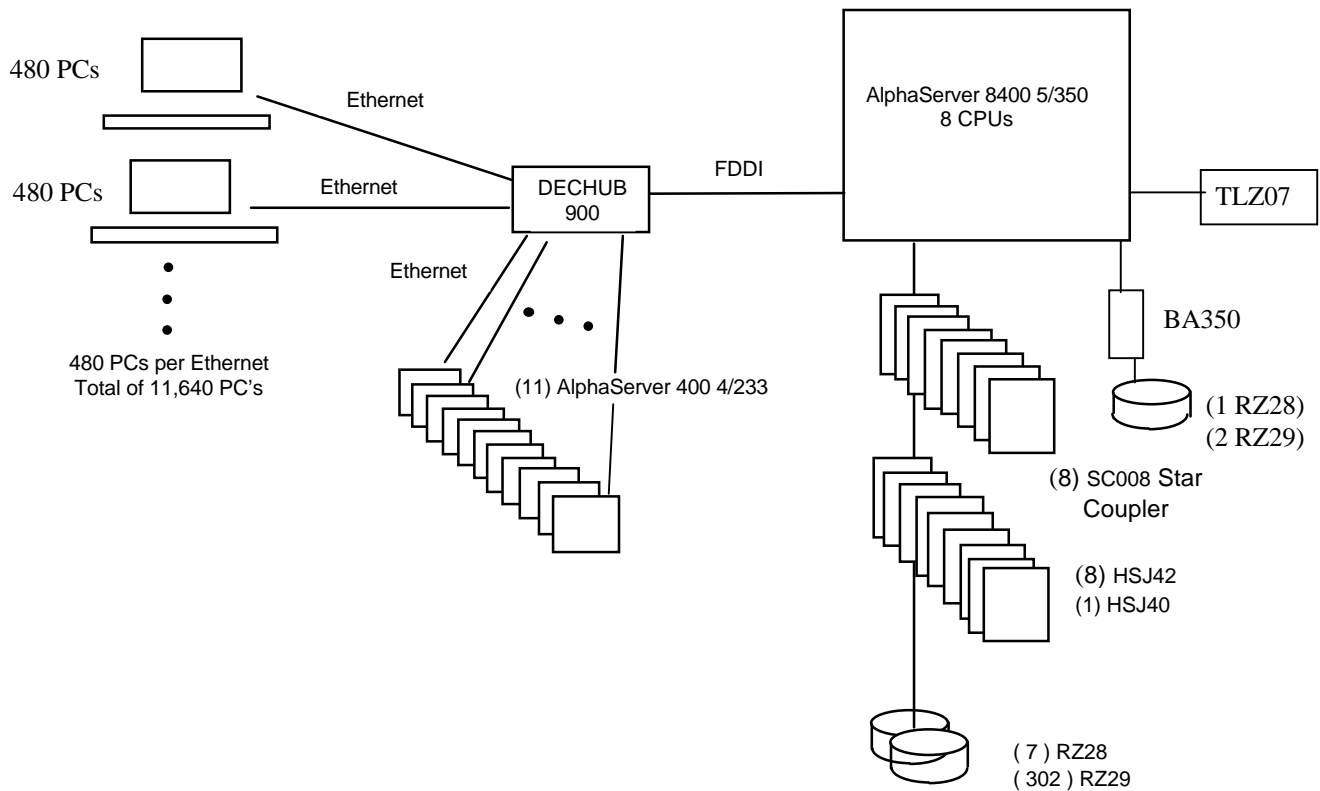


Digital Equipment Corporation and Oracle Corporation	Digital AlphaServer 8400 5/350 8 CPUs C/S and 11 AlphaServer 400 4/233 Front-End Systems		TPC-C Rev 3.0	
			Report Date: 8 May 1996	
Total System Cost	TPC-C Throughput	Price/Performance		Availability Date
\$3,828,838	14,227.25 tpmC	\$269/tpmC		DEC 1996
Processors	Database Manager	Operating System	Other Software	Number of Users
8 350 MHz DECchip 21164	Oracle Rdb7 V7.0	OpenVMS V7.1	DEC ACMS V4.0 ORACLE CDD V5.3	11,640



System Components	Server		Client (each of 11)	
	Qty	Type	Qty	Type
Database Nodes	1	AlphaServer 8400 5/350	1	AlphaServer 400 4/233
Processors	8	350 MHz DECchip 21164	1	233 MHz DECchip 21064A
Cache Memory		4 MB		512 KB
Memory (MB)	4	2 GB		192 MB
Disk Controllers	8	CIXCD	1	1.1 GB Disk
Disks	8	2.1 GB Disks		
	304	4.3 GB Disks		
Total Disk Storage		1,324 GB		

**Digital AlphaServer 8400 5/350
8 CPUs C/S with 11 AlphaServer
400 4/233 Front-End Systems**

Description	Part Number	Third Party	Unit Price	Qty	Extended Price	5 yr. Maint. Price
Server Hardware						
Digital AlphaServer 8400 in-cabinet, OpenVMS	DY-291DF-AA	BSCG	328,600	1	328,600	
YR1-5, 5x9/4HR, 8400	FM-4Z4HR-60	BSCG	38,692	1		38,692
YR1-5, 5x9/4HR, 8400 Upgrade	FM-8UGHR-60	BSCG	14,728	1		14,728
5YR, OpenVMS s/w, 8400 Dual Processor	FM-84DVM-60	BSCG	19,887	1		19,887
Additional Dual-CPU	754P1-AX	BSCG	57,600	3	172,800	
2GB AlphaServer 8xxx Memory	M57CC-FA	BSCG	153,072	3	459,216	
48 Volt Power Regulator Option	H7263-AA	BSCG	6,510	2	13,020	
TL I/O Port Mod	E2054-AA	BSCG	8,064	1	8,064	
Integrated TL I/O Port Mod (Credit	E2052-AA	BSCG	(\$5,904)	1	(\$5,904)	
Internal XMI Plug in Unit	DWLMA-AA	BSCG	11,950	2	23,900	
PCI PIU for 8400 System Cab (Credit)	DWLPA-AA	BSCG	(\$6,480)	1	(\$6,480)	
XMI to SCSI Adapter	KZMSA-AB	BSCG	4,363	2	8,726	
SCSI-2 *A* Cable	BN21H-02	BSCG	65	1	65	
SCSI CAB KIT	CK-KZMSA-LA	BSCG	291	2	582	
XMI to CI Adapter (2080-ya)	CIXCD-AC	BSCG	12,566	8	100,528	
Star Coupler, 8 Node with Cab	SC008-AC	BSCG	8,170	8	65,360	
(XMI to FDDI) Sas Adapter	DEMFA-AA	BSCG	13,970	1	13,970	
DEChub 900 Multiswitch, US/JA	DMHUB-AA	BSCG	3,067	1	3,067	
DEChub 900 Power Supply	H87894-MA	BSCG	761	3	2,283	
6-port Conc with mod PMDs	DEF6M-MA	BSCG	5,074	1	5,074	
DECSwitch 900EF	DEFBA-MA	BSCG	5,996	6	35,976	
CI-BUS Cable 10 Meters	BNCIA-10	BSCG	532	25	13,300	
2-HSJ40 32-MB RD Cache, Raid 0	HSJ42-AD	BSCG	40,340	8	322,720	
HSJ40 w/32MB RD Cache, Raid 0	HSJ40-AF	BSCG	24,819	1	24,819	
HSJ40 w/write back cache	HSJ40-YC	BSCG	3,685	1	3,685	
15 KVA 3 Phase Exide UPS Unit	4N-AEAAAN-BA	BSCG	15,477	1	15,477	
CAB w/Fan Tray/7200 RPM Device	SW800-FB	BSCG	5,475	3	16,425	
Stor Shlf/Metric w/ps SCSI	BA350-JA	BSCG	1,230	55	67,650	
RZ28 2.1 GB SCSI Disk	RZ28M-VA**	BSCG	1,030	9	9,270	
RZ29B 4.3 GB SCSI Disk	RZ29B-VA**	BSCG	1,625	335	544,375	
8 GB DAT w/Snap-in SW Carrier	TLZ07-VA	BSCG	1,482	1	1,482	
VT510, White, Norht, American	VT510-AA	BSCG	320	1	320	
U/S/UK 108 Keyboard	LK411-AA	BSCG	54	1	54	
Subtotal					2,248,424	73,307
Client Hardware						
AlphaServer 400 4/233 OpenVMS	PB51C-BA	BSCG	4,172	11	45,892	
5YR 5x9/4HR, Asvr 400	FM-CH4HR-60	BSCG	2,217	11		24,387
5YR, OpenVMS s/w, AS400	FM-MKVMS-60	BSCG	3,933	11		43,263
64-MB Simm Memory (2x32MB)	MSP01-AD	BSCG	2,876	33	94,908	
SNG DR RZ26N-E ISE Fct Emb	PBXRZ-EB	BSCG	572	11	6,292	
PCI, 32 Bit, B.M., PC NIC	DE435-AA	BSCG	140	11	1,540	
14" APM Color Mon, 28mm MPR2	FR-PCXCV-GE	BSCG	315	11	3,465	
PS/2 North American Keyboard	LK471-AA	BSCG	54	11	594	
Multia Multi-Client Desktop Sys	VX47A-F3	BSCG	0	1	0	
Subtotal					152,691	67,650
Server Software						
Oracle Rdb7 RDBMS		Oracle	396,960	1	396,960	317,568
Subtotal					396,960	317,568
Client Software						
OpenVMS Alpha Unl License	QL-MT2AE-AA	BSCG	9,539	11	104,929	
OpenVMS Media and Doc on CD-ROM	QA-MT1AP-H8	BSCG	8	1	8	
ACMS RT V/V TRAD LICENSE	QL-2Q1AE-AA	BSCG	6,546	10	65,460	80,270
ACMS DV V/V LICENSE	QL-2P2AE-AA	BSCG	9,189	1	9,189	8,027
ACMS DV MEDIA AND DOCUMENTATION	QA-079AA-HM	BSCG	888	1	888	
Oracle CDD/Repository		Oracle	2,100	1	2,100	1,680
Oracle Programmer/2000 for Rdb7		Oracle	697	1	697	1,050
Subtotal					183,271	91,027
Warranty						
Extended Warranty 2-5Yrs	FM-WRNTY-60	BSCG		1		132,401
Subtotal					0	132,401
User Connectivity						
HTU, Ultra Slimline 24 Port Hub	DEH1487 **	D.C. Wrhse	310	534	165,540	
Subtotal					165,540	0
Total					\$3,146,885	\$681,953

Notes: **10% or minimum of 2 spares are added in place of on site service. These products have 5 yr return to Digital Warranty
1=Bay State Comp. Group, 2=Data Comm Warehouse
Audited by Information Paradigm

Five-Year Cost of Ownership: \$3,828,838
tpmC Rating: 14227.25
\$/ tpmC: 269.12