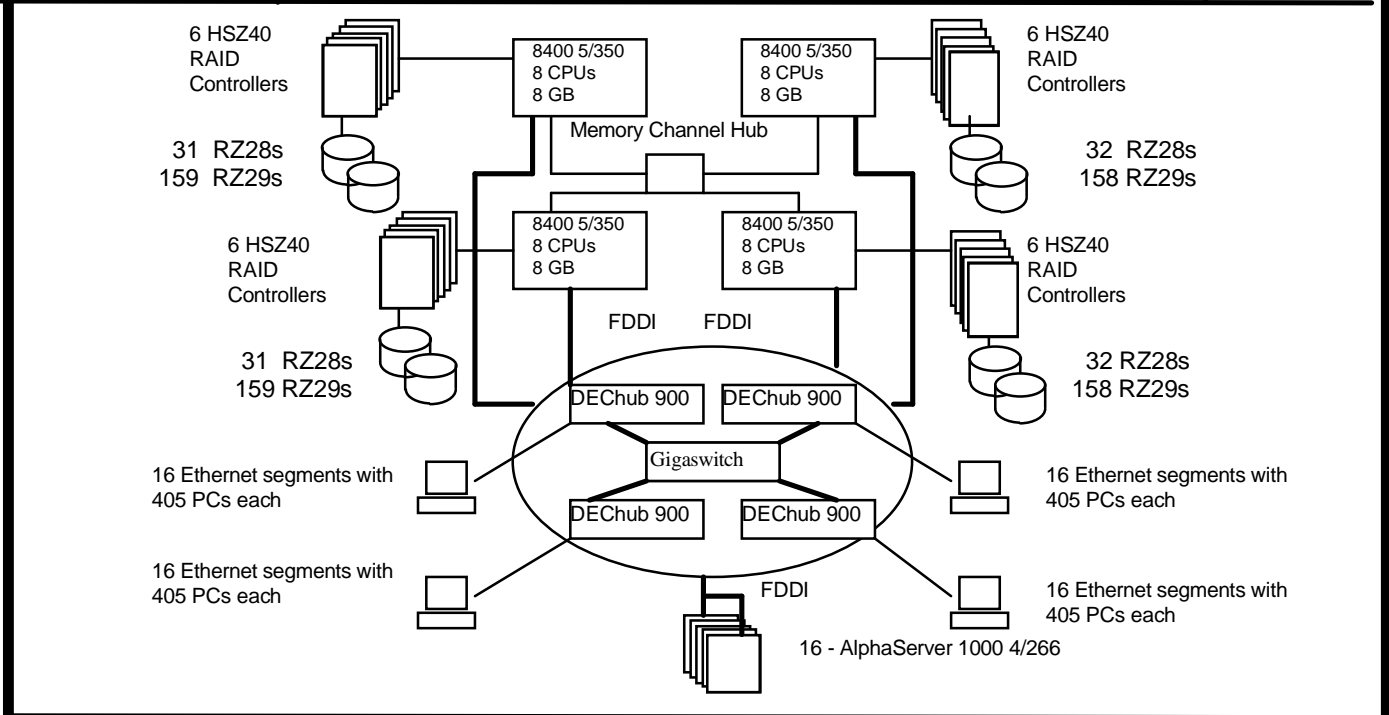


Digital Equipment Corporation and Oracle Corporation	Digital AlphaServer 8400 5/350 32 CPUs 4-Node Cluster and 16 AlphaServer 1000 4/266 Front-End Systems	TPC-C Rev 3.0
		Report Date: 12 April 1996

Total System Cost	TPC-C Throughput	Price/Performance	Availability Date
\$9,258,854.67	30,390 tpmC	\$305/tpmC	August 1996

Processors	Database Manager	Operating System	Other Software	Number of Users
32 350 MHz DECchip 21164	Oracle7 v7.3	Digital UNIX V4.0A	ITI TUXEDO System/T v4.2	25,920



System Components	Server		Client (each of 16)	
	Qty	Type	Qty	Type
Database Nodes	4	AlphaServer 8400 5/350	1	AlphaServer 1000 4/266
Processors	32	350 Mhz DECchip 21164	1	266 Mhz DECchip 21064A
Total Memory	32	GB	512	MB
Disk Controllers	24	HSZ40 Raid Controllers	1	PCI
Disks	126	2.1 GB RZ28 Disks	1	2.1 GB Disk
	634	4.3 GB RZ29 Disks		
Total Disk Storage		2990.8 GB		
Terminals	25,920	Multiia Multi-Client PC		

Digital Equipment Corporation and Oracle Corporation

Digital AlphaServer 8400 5/350
32CPUs 4-Node Cluster with
16 AlphaServer 1000 4/266
Front-End Systems

TPC-C Rev 3.0

Report Date: 12 Apr 1996

	Part Num.	Unit Price	Qty	Dist. Disc.	Ext. Price	Service Level	Maint # Yr	5 Yrs Service	5 Year Cost
SERVER HARDWARE:									
Digital AlphaServer 8400 in-cabinet	DA-291DF-AA	323476	4	0	\$1,293,904.0	BSC	0 0	INC	1293904
YR2-5 5x9/4HR, 8400	FM-4Z4HR-60	38990	4	0	155,960.00	BSC	0 5	INC	155960
5YR, Digital UNIX s/w, 8400 Dual Proce	FM-84DOS-60	21960	4	0	\$87,840.00	BSC	0 5	INC	87840
Additional Dual-CPU	754P2-AX	56800	12	0	\$681,600.00	BSC	0 5	INC	681600
2GB AlphaServer 8xxx Memory	MS7CC-FA	150946	12	0	\$1,811,352.0	BSC	0 5	INC	1811352
48Volt Power Regulator Option	H7263-AA	479	4	0	\$1,916.00	BSC	0 5	INC	1916
TURBO-LASER I/O PORT MOD	E2052-AA	5822	4	0	\$23,288.00	BSC	0 5	INC	23288
Credit for Integrated TL I/O port MOD	E2054-AA	-7952	4	0	(\$31,808.00)	BSC	0 5	INC	-31808
DEChub 900 MultiSwitch, US/JA	DMHUB-AA	3067.5	4	0	\$12,270.0	BSC	0 5	INC	12270
DECswitch 900EF MP Reader	DEFBA-DA	7330	4	0	\$29,320.00	BSC	0 5	INC	29320
14-Port UTP Concentrator	DEFHU-MU	4716	4	0	\$18,864.00	BSC	0 5	INC	18864
Gigaswitch 4 port SAS,MMF,FDDI LIC.	DEFGL-BB	14040	3	0	\$42,120.00	BSC	0 5	INC	42120
8GB DAT W/Snap-in SW Carrier	TLZ07-VA	1536	4	0	\$6,144.00	BSC	0 5	INC	6144
DEChub 900 Pwr Supply	H7894-MA	761	4	0	\$3,044.00	BSC	0 5	INC	3044
Hub Watch U/A Trad Lic	QL-0MMA9-AA	1794.96	1	0	\$1,794.96	BSC	0 5	INC	1794.96
Storage Plug-in Unit	BA655-AB	1575	8	0	\$12,600.00	BSC	0 5	INC	12600
PCI PIU for 8400 System Cab	DWLPAA-AA	6390	4	0	\$25,560.00	BSC	0 5	INC	25560
RZ28 2.1 GB SCSI Disk **	RZ28MVA	1011.75	139	0	\$140,633.25	WWS*	0 5	INC	140633.25
RZ29 4.3 GB SCSI Disk **	RZ29B-VA	1627.26	698	0	\$1,135,827.48	WWS*	0 5	INC	1135827.48
SCSI Signal Conv-Slab (Adapt Diff SCSI)	DWZZA-VA	375	4	0	\$1,500.00	BSC	0 5	INC	1500
PCI Host Bus Adapter (FWD)	KZPSA-BB	746	28	0	\$20,888.00	BSC	0 5	INC	20888
PCI to FDDI Adptr SAS, MMF, SC	DEFPA-UA	525	4	0	\$2,100.00	BSC	0 5	INC	2100
SW SCSI Array Cntrl 42 Device	HSZ40-BA	6064	24	0	\$145,536.00	BSC	0 5	INC	145536
OCB SCSI Cab for 24 Shif 208V	SW800-AA	4698	8	0	\$37,584.00	BSC	0 5	INC	37584
Storage Shif/Metric W/PS SCSI	BA350-JA	1200	144	0	\$172,800.0	BSC	0 5	INC	172800
SWXXX Cntrl Shelf W/Pwr	BA350-MB	1296	24	0	\$31,104.0	BSC	0 5	INC	31104
1.0 M Cable, SCSI-2 "A"	BN21H-01	59	80	0	\$4,720.00	BSC	0 5	INC	4720
2.0 M Cable, SCSI-2 "A"	BN21H-02	63	65	0	\$4,095.00	BSC	0 5	INC	4095
5 M Cable, SCSI-3 "P" 1S/1R	BN21K-05	83	24	0	\$1,992.00	BSC	0 5	INC	1992
VT510, WHITE, NORTH, AMER	VT510-AA	340	4	0	\$1,360.00	BSC	0 5	INC	1360
US/UK 108 KEYBOARD	LK411-AA	53	4	0	\$212.00	BSC	0 5	INC	212
PCI to Memory Channel	CCMAA-AA	2126	4	0	\$8,504.00	BSC	0 5	INC	8504
MC HUB w/4 Line Cards	CCMHA-AA	4966	1	0	\$4,966.00	BSC	0 5	INC	4966
MC Cable	BC12N-10	177	4	0	\$708.00	BSC	0 5	INC	708
Gigaswitch Chassis	DEFGA-CA	2250	1	0	\$2,250.00	BSC	0 5	INC	2250
Power Supply	DEFGA-AA	2250	2	0	\$4,500.00	BSC	0 5	INC	4500
Line Card	DEFGL-AA	11625	2	0	\$23,250.00	BSC	0 5	INC	23250
Doc Kit	QB-0JGAA-SA	90	1	0	\$90.00	BSC	0 5	INC	90
4 Port GigaSW, SAS, SCP	DEFGA-DA	20625	1	0	\$20,625.0	BSC	0 5	INC	20625
Digital UNIX Alpha Base CD-ROM	QA-MT4AA-H8	235	1	0	\$235.00	BSC	0 5	INC	235
Gigaswitch SCP Module	DEFGP-AA	10800	1	0	\$10,800.0	BSC	0 5	INC	10800
CLIENT HARDWARE:									
AlphaServer 1000 4/266 Digital UNIX S	PB72C-FA	6800	16	0	\$108,800.0	BSC	0 5	INC	108800
5YR 5x9/4HR, Asnr 1000	FM-MK4HR-60	2715	16	0	\$43,440.00	BSC	0 5	INC	43440
5YR Digital UNIX s/w, AS1000	FM-84OSF-60	4637	16	0	\$74,192.00	BSC	0 5	INC	74192
Dataram Memory 128 mb mem 64/2880	DRD 70/28	1940	64	0	\$124,160.00	BSC	0 5	INC	124600
RZ28 2.1 G SCSI Disk	RZ28MVA	1038	16	0	\$16,608.00	BSC	0 5	INC	16608
PCI, 32 Bit, B.M., PC NIC	DE435-AA	137	32	0	\$4,384	BSC	0 5	INC	4384
PCI to FDDI Adptr SAS, TP-PMD	DEFPA-UA	520	16	0	\$8,320.00	BSC	5	INC	8320
14" APM CLR MON, 28mm MPR2	FR-PCXCV-GE	375	16	0	\$6,000.00	BSC	0 5	INC	6000
PS/2 North American KB	LK471-AA	55	16	0	\$880.00	BSC	0 5	INC	880
Digital UNIX unlimited user license	QL-MT7AE-AA	3993	16	0	\$63,888.0	BSC	0 5	INC	63888
Digital UNIX Media and Doc CD	QA-MT4AA-H8	235	1	0	\$235.00	BSC	5	INC	235
Multia Multi-Client Desktop System	VX47A-F3	0	25920		\$0.00	WWS	5	INC	
DIGITAL TOTAL					\$6,402,955.69				\$6402955.69

Notes: Audited by Information Paradigm.

Digital Equipment Corporation and Oracle Corporation

Digital AlphaServer 8400 5/350 32CPUs 4-Node Cluster with 16 AlphaServer 1000 4/266 Front-End Systems

TPC-C Rev 3.0

Report Date: 12 Apr 1996

	Part Num:	Unit Price	Qty	Dist. Disc	Ext. Price	Service Level	Maint # Y	5 Yrs Service	5 Year Cost
Allied Tel 24 Port HU	DEH1487 (Data C.W.)	310	1188		368,280		0	INC	368280
SOFTWARE									
BEA Tuxedo R4.2.2	BEA TP Mo	7500	16		\$120,000	BEA	18000	5	90000
BEA TP Mon Doc	BEA TP Mo	0	1		0	BEA			
Oracle7 RDBMS & SQL *Net SW	Oracle	974656.77	1		974,656.77	WWS	155945	5	779725
Oracle7, 64 Bit Option	Oracle	290687.11			290,687.11	WWS	46510	5	232550
CONFIGURATION TOTAL:									
		2000615.4			8,156,579.57			1102275	9,258,854.67
								tpmC=	30390.65
** 10% or minimum of 2 spares are added in place of on site service. These products have 5 years return to Vendor Warranty.								\$/tpmC=	\$304.66

Notes: Audited by Information Paradigm.