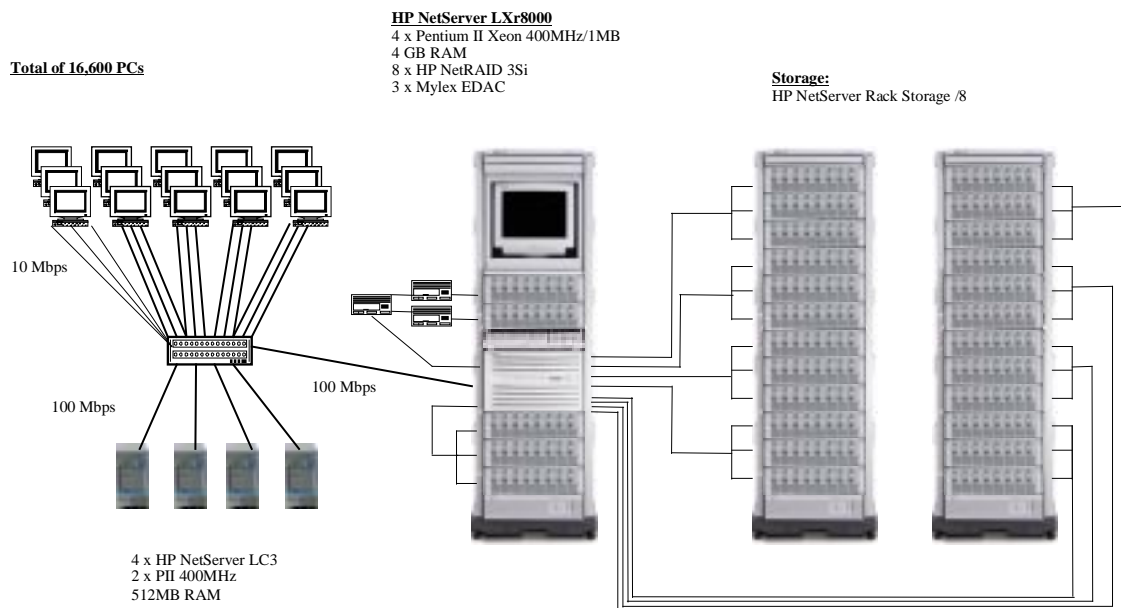
	<h1>HP NetServer LXr 8000</h1> <h2>Client/Server</h2>			TPC-C Revision 3.4
	Total System Cost \$617,579	TPC Throughput 20223.76 tpmC	Price/Performance \$30.54 per tpmC	Report Date November 9, 1998
Processors 4 Intel Pentium II Xeon 400MHz 1 Mbyte L2	Database Manager Microsoft SQLServer 7.0	Operating System Microsoft NT 4.0 Enterprise Edition	Other Software Microsoft Visual C++ TUXEDO Transaction Monitor	Number of Users 16600



System Components	Server		Each Client	
	Qty	Type	Qty	Type
Processors	4	400MHz Intel Pentium II Xeon	2	400MHz Pentium II
Cache Memory	each	1 Mbyte L2 cache	each	512kbyte L2 Cache
Memory	4	Gbyte	512	Mbyte
Disk Controllers	8	HP NetRAID 3si, 3 Mylex DACSxi	1	HP SCSI-2 Controller
Disk Drives	136	HP Hot-swap 9Gbyte 10krpm SCSI	1	4 Gbyte disk
	72	HP Hot-swap 4Gbyte 10krpm SCSI		
	1	HP Hot-swap 9Gbyte Ultra2 10krpm SCSI		
Total Storage	1.47	TB		
Tape Drives	1	HP Surestore DAT24i		
Terminals	1	Console Terminal	1	Console Terminal



HP NetServer LXr 8000

TPC-C Rev 3.4

Report Date: November 9, 1998

Description	Part Number	Brand	Price Key	Unit Price	Qty	Extended Price	Maint. Price
HP NetServer LXr 8000	D6022A	HP	1,2	12970	1	12970	3592
Pentium II Xeon 400MHz 1MB Cache	D6119A	HP	1,2	3965	3	11895	
1Gbyte DIMM kit	D6114A	HP	1,2	4245	4	16980	
Rkmt HP Ultra VGA 1280 17" Display	D2818A	HP	1,2	213	1	213	168
HP NetServer mini-DIN keyboard and mouse	D4950B/C3751B	HP	1	84	1	84	
HP 9.1 GB 10K HotSwap Wide Ultra2 SCSI Disk	D6107A	HP	1,2	1115	1	1115	384
HP NetServer 10/100TX PCI LAN Adapter	D5013A	HP	1	82	1	82	
HP Keyboard Rack Mount Kit	E7713A	HP	1	125	1	125	
2.0 Meter Rack w/side panels,rear door+fan+pdu	J1487B/E4471A/E7	HP	1	1455	3	4365	
HP Power Distribution Unit 120-240V	E5929A	HP	1	237	5	1185	
HP 19" Plain Shelf, for racks	E3666A	HP	1	61	1	61	
APC Smart UPS 3000NS 208V 3000VA	588293	APC	1,6	1728	3	5184	1170
HP SureStore DAT24i Internal Tape Drive	C1555C	HP	1	985	1	985	
Server Hardware Subtotal						55244	5314
HP NetServer Rack Storage/8	D4902A	HP	1,2	2080	29	60320	4176
HP 4.2GB, 10krpm Hot-swap disk module	D4903A	HP	1,2	657	80	52560	13440
HP 9GB, 10krpm Hot-swap disk module	D6019A	HP	1,2	1115	150	167250	43200
HP NetRAID-3si Disk Array Controller	D5955A	HP	1,2	2075	8	16600	
Mylex DACSXI EDAC 5 chnl 32MB	Z75091	Mylex	1,4	3569	5	17845	995
HP SCSI Cable 2.5m UDHTS 68/HDTS 68	D3637C	HP	1	82	18	1476	
HP SCSI Cable 2.5m HDTS68/HDTS68	D3636C	HP	1	82	13	1066	
HP SCSI Cable 0.9m	C2911A	HP	1	122	4	488	
HP Storage System/6	D3604B	HP	1,2	997	2	1994	3118
Storage Subtotal						319599	64929
Microsoft SQL Server 7.0		MS	3	28999	1	28999	10475
Microsoft Windows NT Server 4.0 Enterprise Edition	Z75092	MS	1	3330	1	3330	
MKS Toolkit	323795	MKS	1	262	1	262	
Server Software Subtotal						32591	10475
HP Netserver LC 3	D6126T	HP	1,2	2703	4	10812	7500
LC 3 Pentium II 400-Mhz	D6092A	HP	1	1138	4	4552	
128MB DIMMs for LC 3	D6098A	HP	1	672	16	10752	
HP NetServer 10/100TX PCI LAN Adapter	D5013A	HP	1	82	4	328	
HP Ultra VGA 1280 17" Display	D2818A	HP	1,2	213	4	852	672
Client Hardware Subtotal						27296	8172
Microsoft Windows NT Server 4.0	Z75093	MS	1	568	4	2272	
Microsoft Visual C++	716856	MS	1	449	1	449	
Tuxedo Run Time		BEA	5	3000	4	12000	9000
Client Software Subtotal						14721	9000
HP Procurve Switch 2400M	J4122A	HP	1,2	1189	2	2378	1680
LANTech 8-port 10baseT hub (8+1 ports)		Lantech	1	28.95	2286	66180	
Connectivity Subtotal						68558	1680
Total						\$518,009	\$99,570

Notes: Price key: 1=Software House, 2=Maint. Price from HP Corporate Price List, 3=Microsoft, 4=Mylex, 5=BEA, 6 = APC Audited by Tom Sawyer Performance Metrics, Inc.

5-yr Cost of Ownership: \$617,579
tpmC: 20223.76
\$/tpmC: 30.54

Prices used in TPC benchmarks reflect actual prices a customer would pay for a one-time purchase of the stated components. Individually negotiated discounts are not permitted. Special prices based on assumptions about past or future purchases are not permitted. All discounts reflect standard pricing policies for the listed components. For complete details, see the pricing sections of the TPC benchmark specifications. If you find that the stated prices are not available according to these terms, please inform the TPC at pricing@tpc.org. Thank you.

Numerical Quantities Summary for HP NetServer LXr 8000

MQTH, Computed Maximum Qualified Throughput **20223.76 tpmC**

Response Times (in seconds)

	90th %-ile	Maximum	Average
New-Order	1.01s	5.41s	0.64s
Payment	0.85s	4.20s	0.50s
Order-Status	0.88s	5.53s	0.54s
Delivery (interactive portion)	0.59s	2.40s	0.30s
Delivery (deferred portion)	0.85s	2.14s	0.58s
Stock-Level	3.98s	8.17s	3.09s
Menu	0.60s	2.63s	0.28s

Response time delay added for emulated components 0.1 seconds

Transaction Mix, in percent of total transactions

New-Order	44.85%
Payment	43.01%
Order-Status	4.05%
Delivery	4.05%
Stock-Level	4.04%

Keying/Think Times

	Keying Time			Think Time		
	Min	Avg	Max	Min	Avg	Max
New-Order	18.02s	18.03s	18.16s	0.01s	12.14s	180.36s
Payment	3.01s	3.02s	3.15s	0.01s	12.19s	163.04s
Order-Status	2.01s	2.02s	2.15s	0.01s	10.22s	112.14s
Delivery (interactive)	2.01s	2.02s	2.16s	0.01s	5.21s	69.88s
Stock-Level	2.01s	2.02s	2.15s	0.01s	5.15s	56.9s

Test Duration

Ramp up time	40.7 minutes
Measurement interval	29 minutes
Transactions during measurement interval	1307529
Ramp down time	60.3 minutes

Checkpointing

Number of checkpoints in measurement interval	1
Checkpoint Interval	29 minutes

Reproducibility Run

Throughput	20209.28 tpmC
Relative to MQTH	-0.07%