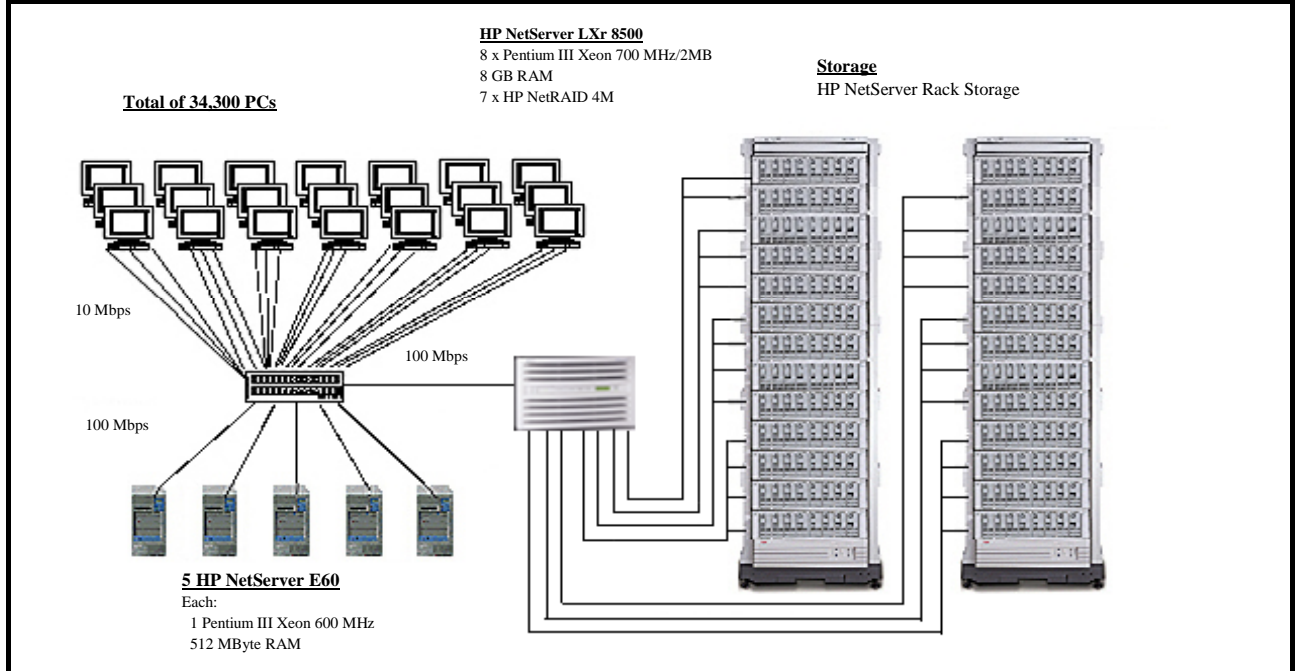




HP NetServer LXr 8500 Client/Server

TPC-C Revision
3.5

Total System Cost	TPC Throughput	Price/Performance	Report Date	Availability Date
\$556,409	43046.55 tpmC	\$12.76 per tpmC	January 10, 2001	March 1, 2001
Processors	Database Manager	Operating System	Other Software	Number of Users
8 Intel Pentium III Xeon 700MHz 2 Mbyte L2	Microsoft SQLServer 2000 Enterprise Edition	Microsoft Windows 2000 Advanced Server	Microsoft Visual C++ Microsoft COM+ Transaction Monitor	34300



System Components	Server		Each Client	
	Qty	Type	Qty	Type
Processors	8	700MHz Intel Pentium III Xeon	1	600MHz Pentium III
Cache Memory	each	2 Mbyte L2 cache		512kbyte L2 Cache
Memory	16	512 Mbyte		512 Mbyte
Disk Controllers	7	HP NetRAID 4M	1	HP SCSI-2 Controller
Disk Drives	240 52 1	HP Hot-swap 9GB SCSI (8.47GB) HP Hot-swap 18GB SCSI (16.9GB) HP 9GB SCSI (8.46GB, boot drive)	1	9 Gbyte disk
Total Storage		2920.06 Gbyte		8.46 Gbyte
Tape Drives	1	HP Surestore DAT24i		
Terminals	1	Console Terminal	1	Console Terminal

e	HP NetServer LXr 8500 8P/700-2MB/8GB		TPC-C Rev 3.5				
			Report Date:	10-Jan-01			
Description	Part Number	Brand	Price Key	Unit Price	Qty	Extended Price	Maint. Price
HP NetServer LXr 8500 Intel Pentium III Xeon 700MHz	P1765AV	HP	1	16,800	1	16,800	
Intel Pentium III Xeon 700MHz 2Mbyte L2	P1763AV	HP	1	4,740	7	33,180	
512MB Dimm for LXr 8500 (to 8GB)	D7138AV	HP	1	1,560	16	24,960	
HP NetRAID4M RAID controller w/64MB cache	D9161A	HP	1	1,960	7	13,720	
HP 9GB, 10krpm Hot-swap disk module	P1168A	HP	1	405	1	405	
HP NetServer 10/100TX PCI LAN Adapter	D5013A	HP	1	82	1	82	
HP 15" VGA Monitor	D2828A	HP	1	185	1	185	
HP NetServer mini-DIN keyboard and mouse	D4950B/C375	HP	1	79	1	79	
HP Rack System/E41 (41 Units usable space)	J1500A	HP	1	1590	2	3,180	
HP Power Distribution Unit 120-240V	E5929A	HP	1	234	4	936	
HP SureStore DAT24i Internal Tape Drive	C1555D	HP	1	790	1	790	
APC Smart-UPS 3000 + Spares	588293	APC	1	1725	3	5,175	
Server Hardware Subtotal						99,492	0
HP NetServer Rack Storage/12	D5989B	HP	1	1890	25	47,250	
HP 9GB, 10krpm Hot-swap disk module	P1168A	HP	1	405	240	97,200	
HP 18GB, 10krpm Hot-swap disk module	P1166A	HP	1	590	52	30,680	
HP SCSI Cable 2.5m UDHTS 68/HDTS 68	D6020A	HP	1	97	25	2,425	
Storage Subtotal						177,555	0
Microsoft Windows 2000 Advanced Server, 25 Licences		MS	1	2399	1	2,399	
Microsoft SQL Server 2000 Enterprise Edition per processor license unlimited users (open program level C)	810-00846	MS	1	14749	8	117,992	10,475
Server Software Subtotal						120,391	10,475
HP Netserver E60 Pentium III 600MHz	D9128A	HP	1	1270	5	6,350	
128MB DRAMs for E60	D7156A	HP	1	205	20	4,100	
HP NetServer 10/100TX PCI LAN Adapter	D5013A	HP	1	82	5	410	
HP 15" VGA Display	D2828A	HP	1	185	5	925	
Client Hardware Subtotal						11,785	0
Microsoft Windows 2000 Server	C11-0016	MS	1	790	5	3,950	
Microsoft Visual C++ Professional 6.0 (\$549)	716856	MS	1	449	1	449	
Client Software Subtotal						4,399	0
HP Procurve Switch 2424M, Lifetime Warranty + 10% spares	J4093A	HP	1	979	8	7,832	
ArkPC 17-port 10baseT hub (16+1 ports) 5 Yr Warranty + 10% spares	CT1017D1			31	2376	73,656	
Connectivity Subtotal						81,488	0
HP Full System Support: 5 Yrs, on-site, 4 Hr response, 5x8 (Mon-Fri) includes clients & mass storage	----		2				\$43,900
Total						\$495,110	\$54,375
Notes: Price key: 1 = Software House, 2 = HP Corporate Price list						5-yr Cost of Ownership: \$549,485	
3 = Microsoft						tpmC: 43,046.55	
						\$/tpmC: \$12.76	
Prices used in TPC benchmarks reflect actual prices a customer would pay for a one-time purchase of the stated components. Individually negotiated discounts are not permitted. Special prices based on assumptions about past or future purchases are not permitted. All discounts reflect standard pricing policies for the listed components. For complete details, see the pricing sections of the TPC benchmark specifications. If you find that the stated prices are not available according to these terms, please inform the TPC at pricing@tpc.org. Thank you.							

Numerical Quantities Summary for HP NetServer LXR 8500DC

MQTH, Computed Maximum Qualified Throughput **43046.55 tpmC**

Response Times (in seconds)

	90th %-ile	Maximum	Average
New-Order	0.47s	5.41s	0.32s
Payment	0.37s	5.28s	0.22s
Order-Status	0.39s	5.29s	0.25s
Delivery (interactive portion)	0.13s	0.62s	0.11s
Delivery (deferred portion)	0.61s	2.63s	0.38s
Stock-Level	1.91s	5.10s	1.01s
Menu	0.13s	0.76s	0.11s

Response time delay added for emulated components 0.1 seconds

Transaction Mix, in percent of total transactions

New-Order	44.82%
Payment	43.10%
Delivery	4.06%
Stock-Level	4.01%
Order-Status	4.01%

Keying/Think Times

	Keying Time			Think Time		
	Min	Avg	Max	Min	Avg	Max
New-Order	18s	18.01s	18.03s	0s	12.05s	120.5s
Payment	3s	3.01s	3.03s	0s	12.03s	120.5s
Order-Status	2s	2.01s	2.03s	0s	10.01s	100.6s
Delivery (interactive)	2s	2.01s	2.03s	0s	5.05s	50.4s
Stock-Level	2s	2.01s	2.03s	0s	5.06s	50.4s

Test Duration

Ramp up time	20 minutes
Measurement interval	20 minutes
Transactions during measurement interval	1998965
Ramp down time	47 minutes

Checkpointing

Number of checkpoints in measurement interval	1
Checkpoint Interval	20 minutes

Reproducibility Run

Throughput	42913.95 tpmC
Relative to MQTH	-0.31%