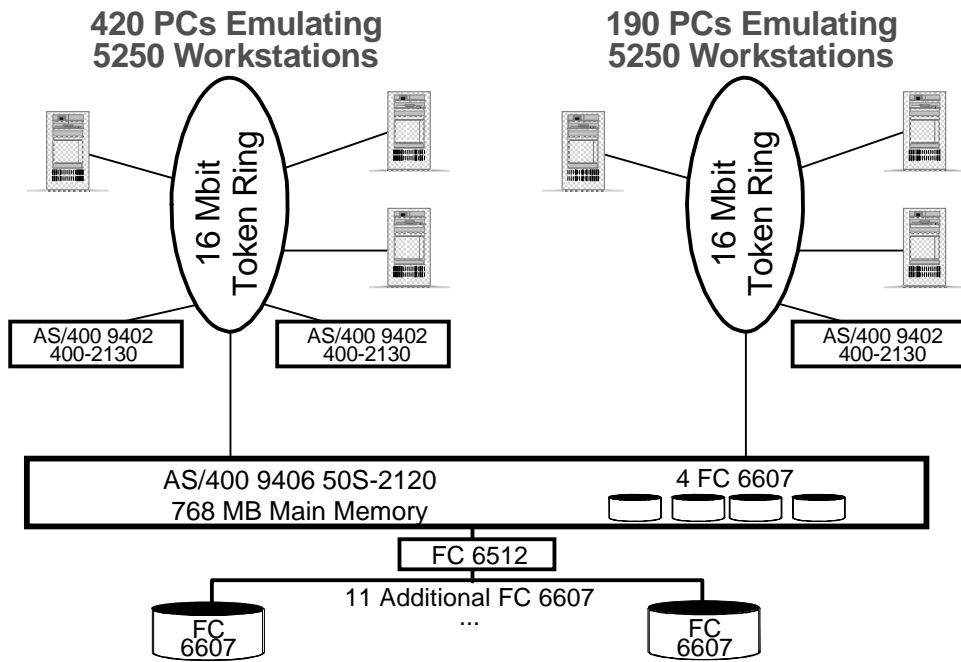


IBM	Application System/400 9406 Model 50S With FC 2120 C/S	TPC-C Rev. 3.0
		Report Date: April 16, 1996

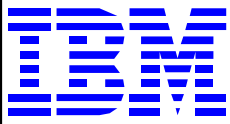
Total System Cost	TPC-C Local Throughput	Price/Performance	Availability Date
\$223,721	707.90	\$317	February 16, 1996

Processors	Data Base Manager	Operating System	Other Software	Number of Users
1 AS/400 9406 50S-2120 3 AS/400 9402 400-2130	DB2/400 Integrated Relational Data Base Version 3 Release 6 Modification 0	OS/400 Version 3 Release 6 Modification 0	SAA AD/Cycle COBOL/400 Version 3 Release 6 Modification 0	610

Priced System Configuration



System Components:	Qty:	Description:
Server:	1	
Processors	1	Application System/400 9406 50S-2120
Memory		768 MB Main Memory
Disk Controllers	1	6512 DASD IOP
	1	Integrated Multifunction IOP
Disk Drives	9	4194 MB DASD
	8	3670 MB DASD
Total Storage		67,106 MB
Tape Drive	1	6380 Cartridge Tape Drive
Clients: (Each)	3	
Processor	1	Application System/400 9402 400-2130
Memory		96 MB Main Memory
Disk Controller	1	Integrated Multifunction IOP
Disk	1	1967 MB
Tape Drive	1	6380 Cartridge Tape Drive



*Application System/400
9406 Model 50S
With FC 2120*

TPC-C Rev 3.0

Report Date: December 8, 1995

AS/400 9406-50S Configuration

Item Description	Feature Number	Unit Price	Qty	Extended Price	Extended Maintenance	Total 5-Year Cost
Server Hardware:						
AS/400 9406 50S-2120	9406	\$26,000	1	\$26,000	\$11,040	\$37,040
64 MB Base Main Memory	Bundled		1			
Token-Ring Adapter	Bundled		1			
Battery Backup	Bundled		1			
Twinax Workstation Controller	Bundled		1			
Optional 4,190 MB Base DASD	7607	\$1,650	1	\$1,650		\$1,650
128 MB Additional Main Memory	3154	\$10,880	2	\$21,760		\$21,760
256 MB Upgrade Main Memory	8255	\$19,040	2	\$38,080		\$38,080
16 disk unit storage expansion	5051	\$5,000	1	\$5,000	\$10,560	\$15,560
RAID DASD controller	6512	\$12,900	1	\$12,900		\$12,900
2.5 GB 1/4 inch tape drive	6380	\$1,500	1	\$1,500		\$1,500
Token Ring Adapter	2619	\$2,500	1	\$2,500		\$2,500
4,190 MB DASD	6607	\$4,250	16	\$68,000		\$68,000

Server Subtotal				\$177,390	\$21,600	\$198,990
------------------------	--	--	--	-----------	----------	-----------

Client Hardware:						
AS/400 9402 400-2030		\$,9000	1	\$9,000	\$4,080	\$13,080
2 GB Disk Drive	Bundled		1			
32 MB Base Main Memory	Bundled		1			
Twinax Workstation Controller	Bundled		1			
364 MB Memory Expansion	3110	\$5,440	1	\$5,440		\$5,440
2.5 GB 1/4 inch cartridge tape	6380	\$1,500	1	\$1,500		\$1,500
Token Ring Adapter	2619	\$2,500	1	\$2,500		\$2,500
Expansion Gate	7108	\$250	1	\$250		\$250
Single Client Subtotal				\$18,690	\$4,080	\$22,770
Number of Clients			3			

Client Subtotal				\$56,070	\$12,240	\$68,310
------------------------	--	--	--	----------	----------	----------

Hardware Subtotal				\$233,460	\$33,840	\$267,300
--------------------------	--	--	--	-----------	----------	-----------

Server Software:						
IBM Operation System/400	Server					
Version 3.6.0 DSLO	5716-SS1	\$2,040	1	\$2,040		\$2,040
Client Software:						
OS/400 V3	Client					
OS/400 V3 DSLO	4716-SS1	\$2,000	1	\$2,000	\$170	\$2,170
ILE COBOL	5716-SS1	\$1,952	2	\$3,904		\$3,904
Appl Dev Toolkit	5738-CB1	\$995	1	\$995		\$995
DB2 QRY Mgr Dev Kit	5716-PW1	\$995	1	\$995		\$995
	5716-ST1	\$800	1	\$800		\$800

Software Subtotal:				\$10,734	\$170	\$10,904
---------------------------	--	--	--	----------	-------	----------

5-Yr System Subtotal:						\$278,204
------------------------------	--	--	--	--	--	-----------

Market Adjustments	% Allowance	Volume	
Revenue Allowance	18%	\$244,194	(\$43,955)
Midrange System Option	17%	\$33,840	(\$5,753)
Extended Maintenance Option	17%	\$28,087	(\$4,775)

5-Year System Total						\$223,721
tpmC						707.90
\$/tpmC						\$317