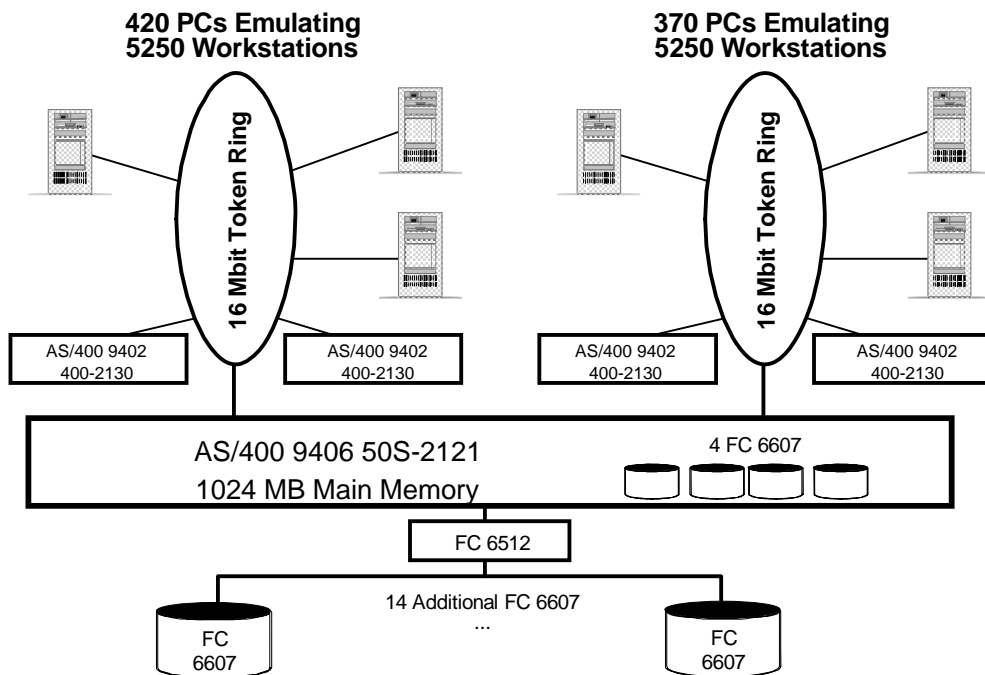


IBM	Application System/400 9406 Model 50S With FC 2121 C/S	TPC-C Rev. 3.0
		Report Date: April 16, 1996

Total System Cost	TPC-C Local Throughput	Price/Performance	Availability Date
\$292,978	914.04	\$321	February 16, 1996

Processors	Data Base Manager	Operating System	Other Software	Number of Users
1-AS/400 9406 50S-2121 4-AS/400 9402 400-2130	DB2/400 Integrated Relational Data Base Version 3 Release 6 Modification 0	OS/400 Version 3 Release 6 Modification 0	SAA AD/Cycle COBOL/400 Version 3 Release 6 Modification 0	790

Priced System Configuration



System Components:	Qty:	Description:
Server:	1	
Processors	1	Application System/400 9406 50S-2121
Memory		1024 MB Main Memory
Disk Controllers	1	6512 DASD IOP
	1	Integrated Multifunction IOP
Disk Drives	12	4194 MB DASD
	8	3670 MB DASD
Total Storage		79,688 MB
Tape Drive	1	6380 Cartridge Tape Drive
Clients: (Each)	4	
Processor	1	Application System/400 9402 400-2130
Memory		128 MB Main Memory
Disk Controller	1	Integrated Multifunction IOP
Disk	1	1967 MB
Tape Drive	1	6380 Cartridge Tape Drive

*Application System/400
9406 Model 50S
With FC 2121*

TPC-C Rev 3.0

Report Date: November 20, 1995

AS/400 9406-50S Configuration

Item Description	Feature Number	Unit Price	Qty	Extended Price	Extended Maintenance	Total 5-Year Cost
Server Hardware:						
AS/400 9406 50S-2121	9406	\$26,000	1	\$26,000	\$11,040	\$37,040
Feature code 2121		\$15,000	1	\$15,000		\$15,000
64 MB Base Main Memory	Bundled		1			
Token-Ring Adapter	Bundled		1			
Battery Backup	Bundled		1			
Twinax Workstation Controller	Bundled		1			
Optional 4,190 MB Base DASD	7607	\$1,650	1	\$1,650		\$1,650
256 MB Additional Main Memory	3155	\$21,760	2	\$43,520		\$43,520
256 MB Upgrade Main Memory	8255	\$19,040	2	\$38,080		\$38,080
16 disk unit storage expansion	5051	\$5,000	1	\$5,000	\$10,560	\$15,560
RAID DASD controller	6512	\$12,900	1	\$12,900		\$12,900
2.5 GB 1/4 inch tape drive	6380	\$1,500	1	\$1,500		\$1,500
Token Ring Adapter	2619	\$2,500	1	\$2,500		\$2,500
4,190 MB DASD	6607	\$4,250	19	\$80,750		\$80,750

Server Subtotal \$226,900 \$21,600 \$248,500

Client Hardware:						
AS/400 9402 400-2130		\$9,000	1	\$9,000	\$4,080	\$13,080
2 GB Disk Drive	Bundled		1			
32 MB Base Main Memory	Bundled		1			
Twinax Workstation Controller	Bundled		1			
32 MB Main Memory Expansion	3182	\$2,720	1	\$2,720		\$2,720
64 MB Memory Expansion	3110	\$5,440	1	\$5,440		\$5,440
2.5 GB 1/4 inch cartridge tape	6380	\$1,500	1	\$1,500		\$1,500
Token Ring Adapter	2619	\$2,500	1	\$2,500		\$2,500
Expansion Gate	7108	\$250	1	\$250		\$250
Single Client Subtotal				\$21,410	\$4,080	\$25,490
Number of Clients			4	\$85,640	\$16,320	\$101,960

Client Subtotal \$85,640 \$16,320 \$101,960

Hardware Subtotal \$312,540 \$37,920 \$350,460

Server Software:						
IBM Operation System/400	Server					
Version 3.6.0 DSLO	5716-SS1	\$2,040	1	\$2,040		\$2,040

Client Software:						
OS/400 V3	Client					
OS/400 V3 DSLO	4716-SS!	\$2,000	1	\$2,000	\$170	\$2,170
ILE COBOL	5716-SS!	\$1,952	3	\$5,856		\$5,856
Appl Dev Toolkit	5738-CB1	\$995	1	\$995		\$995
DB2 QRY Mgr Dev Kit	5716-PW1	\$995	1	\$995		\$995
	5716-ST1	\$800	1	\$800		\$800

Software Subtotal: \$12,686 \$170 \$12,856

5-Yr System Subtotal: \$363,316

Market Adjustments:	%Allowance	Volume	
Revenue Allowance	18%	\$325,226	(\$58,541)
Midrange System Option	17%	\$37,920	(\$6,446)
Extended Maintenance Option	17%	\$31,474	(\$5,351)

5-Year System Total
tpmC
\$/tpmC

\$292.978
914.04
\$321