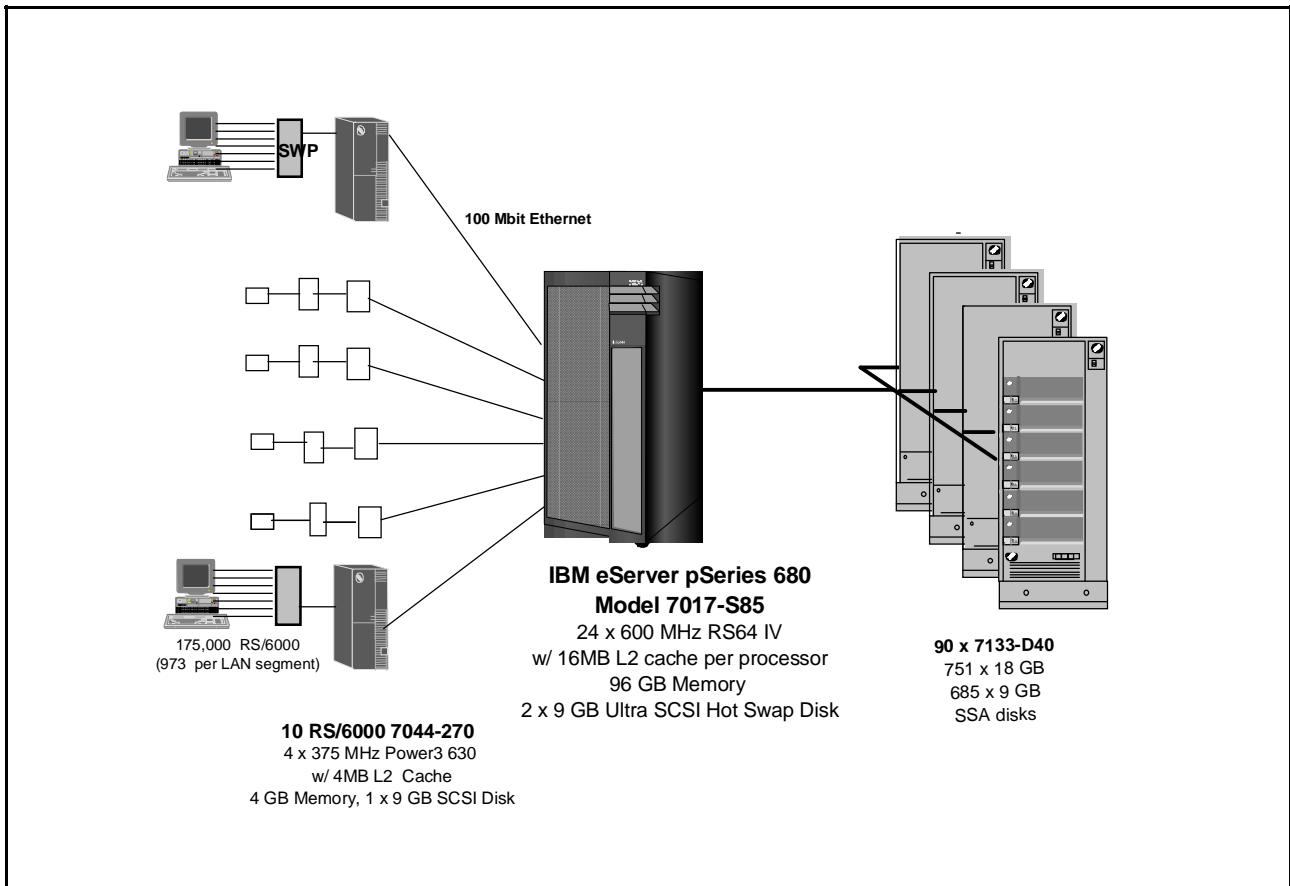
	IBM eServer pSeries 680 Model 7017-S85		TPC-C Rev. 3.5	
ORACLE			Report Date October 13, 2000	
Total System Cost	TPC-C Throughput	Price/Performance	Availability Date	
\$9,560,594	220,807.27 tpmC	\$43.30/tpmC	April 13, 2001	
Processors	Database Manager	Operating System	Other Software	No. Users
24 x IBM RS64-IV	Oracle8i™ Enterprise Edition(64-bit) Release 3 (8.1.7) for AIX - Based System	AIX 4.3.3 +APAR IY13076	Websphere Application Server Enterprise Edition Version 3.0	175,000



System Components	Clients		Server	
	Quantity	Description	Quantity	Description
Processor	10	4 x 375 MHz Power3 w/ 4MB L2 cache each	1	24 x 600 MHz IBM RS64 IV w/ 16 MB L2 cache each
Memory		4 GB		96 GB
Disk Controllers	1	SCSI-2 (Integrated)	1	SCSI-2 (Integrated)
Disk Drives	1	9 GB SCSI each client	19	SSA Adapters
			751	18 GB SSA disk
			2	9 GB SCSI Disk
Total Storage		8.4 GB each client		18,451.40 GB
Terminals	10	System Console	1	System Console
Term. Connect	24,156	8-Port Ethernet Hubs + 10% spares		



IBM eServer pSeries 680

TPC-C Rev. 3.5

ORACLE

Model 7017-S85

Report Date:

October 16, 2000

Description	Part No.	Source	Unit Price	Qty	Ext Price	Maint Price
Server Hardware						
IBM eServer pSeries 680	7017-S85	1	8,660	1	8,660	45,168
16bit PCI SCSI cables	2447	1	75	1	75	0
32x CD-ROM drive	2624	1	375	1	375	0
9.1 GB 1" Ultra SCSI Hot Swap	2913	1	1,260	2	2,520	0
Async/Terminal Cable	2934	1	45	1	45	0
8-port Async Adapter, EIA-232/422	2943	1	1,395	1	1,395	0
10/100 Mbs Ethernet PCI Adapter	2968	1	275	14	3,850	0
Remote I/O Cable (3142, 3143) set	3142	1	4,170	1	4,170	0
16384 MB (4x4096) R1 Memory	4194	1	147,456	2	294,912	0
32768 MB (4x8192) R1 Memory	4195	1	294,912	2	589,824	0
6way 600Mhz RS64 IV Proc, 16MB L2	5320	1	310,000	1	310,000	111,552
6way 600Mhz RS64 IV Proc, 16MB L2	5321	1	420,000	3	1,260,000	334,656
I/O Power Cable set (6006,7,8)	6000	1	685	1	685	0
1000 Watt AC Power Supply	6193	1	765	1	765	0
Power Regulators (6194, 6195)	6194	1	2,505	1	2,505	0
Ultra SCSI PCI-Bus Adapter	6206	1	395	2	790	0
Advanced Serial RAID Adapter	6230	1	3,000	19	57,000	0
32 MB Fast-Write Cache Option	6235	1	575	3	1,725	0
SCSI I/O Drawer, 10 EIA	6320	1	23,766	4	95,064	0
Primary I/O Drawer Group	6321	1	600	1	600	0
Secondary I/O Drawer Group	6323	1	734	3	2,202	0
Support Processor Group	6326	1	2,700	1	2,700	0
Remote I/O Hub, Dual Loop	6503	1	8,000	1	8,000	0
SCSI 16-pack Hot Swap Back Plane	6547	1	600	1	600	0
I/O Rack (6098, 6107)	7036	1	3,550	2	7,100	3,072
Prestige 6000VA, 208-240V UPS	9910-EP8	1	5,904	1	5,904	0
Prestige EXT UPS, Rack Mount	9910-U33	1	3,822	2	7,644	0
System Rack Model S00 (6098, 6107)	7014-T00	1	3,550	10	35,500	15,360
Additional Power Distribution Unit	6171	1	1,000	20	20,000	0
SSA Disk Subsystem, Black Cover	7133-D40	1	13,000	90	1,170,000	794,880
50/60 Hz AC, 300 VDC Power Supply	8022	1	2,000	90	180,000	0
18 GB Disk Drive Modules	8518	1	4,500	751	3,379,500	0
9 GB Disk Drive Modules	8509	1	2,760	685	1,890,600	0
SSA Cables	8802	1	125	90	11,250	0
			Subtotal		9,355,960	1,304,688
Server Software						
AIX 4.3.S for S85 (Media only)	5765-C34	1	50	1	50	40,920
IBM C for AIX V4.4	5765-C64	1	799	1	799	30,480
OracleSi (TM) Enterprise Edition (64-bit) Release 3 (8.17) for AIX		2	907,200	1	907,200	1,425,600
			Subtotal		908,049	1,497,000
Client Hardware						
RS/6000 Model 44P-270 w/ CD-ROM	7044-270	1	5,137	10	51,370	33,600
Async Terminal/Printer Cable	2934	1	45	10	450	0
10/100 Mbps Ethernet Adapter, PCI	2968	1	275	40	11,000	0
9.1 GB SCSI Hard Disk	3029	1	1,260	10	12,600	0
Serial Port Converter Cable	3925	1	25	10	250	0
Memory Expansion Feature	4098	1	1,038	10	10,380	0
512MB SDRAM DIMM Memory	4120	1	3,584	80	286,720	0
2-way 375 MHz Power3, 4MB L2	4362	1	13,000	20	260,000	67,200
IBM ASCII Terminal, Keyboard, Cable	3153-BG3	1	577	11	6,347	6,688
			Subtotal		639,117	107,488
Client Software						
AIX 4. Unlimited Users (Media only)	5765-C34	1	50	10	500	16,600
IBM Websphere Application Server	41L3462	1	21,000	10	210,000	19,341
			Subtotal		210,500	35,941
User Connectivity						
8port Ethernet Switch + 2 Spare	ES-3108P	3	79	40	3,160	12,480
Ethernet Hub (8port) + 10% Spares	CT1008D/P	4	18.00	24,156	434,808	0
			Subtotal		437,968	12,480
			Discounts		(4,592,892)	(355,705)
			Total		6,958,702	2,601,892
Notes:						
Pricing Sources:			Five-Year Cost of Ownership:		9,560,594	
1= IBM, 2= Oracle, 3= PC Connection, 4= NetCruiser Technologies, Inc					tpmC 220,807.27	
Audited by: Brad Askins, Info Sizing					\$/tpmC 43.30	

Prices used in TPC benchmarks reflect the actual prices a customer would pay for a one-time purchase of the stated components. Individually negotiated discounts are not permitted. Special prices based on assumptions about past or future purchases are not permitted. All discounts reflect standard pricing policies for the listed components. For complete details, see the pricing sections of the TPC benchmark specifications. If you find that the stated prices are not available according to these terms, please inform the TPC at pricing@tpc.org. Thank you

Numerical Quantities Summary for the IBM eServer pSeries 680

MQTH, computed Maximum Qualified Throughput: 220,807.27 tpmC

Repeatability Run: 220,406.30 tpmC 0.18% difference

<u>Response Times (in seconds)</u>	<u>90th %</u>	<u>Average</u>	<u>Maximum</u>
New Order	0.78	0.37	11.90
Payment	0.73	0.33	12.67
Order-Status	0.76	0.35	10.81
Delivery (interactive)	0.19	0.11	1.87
Delivery (deferred)	0.27	0.15	2.63
Stock-Level	1.14	0.70	10.93
Menu	0.00	0.00	2.54

Transaction Mix, in percent of total transactions

	<u>Percent</u>
New Order	44.91%
Payment	43.02%
Order-Status	4.01%
Delivery	4.01%
Stock-Level	4.02%

Keying/Think Times (in seconds)

	<u>Min.</u>	<u>Average</u>	<u>Max.</u>
New Order	18.00/0.01	18.01/12.02	18.13/120.21
Payment	3.00/0.01	3.01/12.02	3.13/120.21
Order-Status	2.00/0.01	2.01/10.01	2.12/100.11
Delivery	2.00/0.01	2.01/5.02	2.11/50.21
Stock-Level	2.00/0.01	2.01/5.02	2.12/50.20

Test Duration

Ramp-up Time	37 min 40 sec
Measurement interval	30 minutes
Transactions during measurement interval (all types)	14,747,794
Ramp-down time	10 minutes

Checkpointing

Number of checkpoints	1
Checkpoint interval	29 min 54 sec