



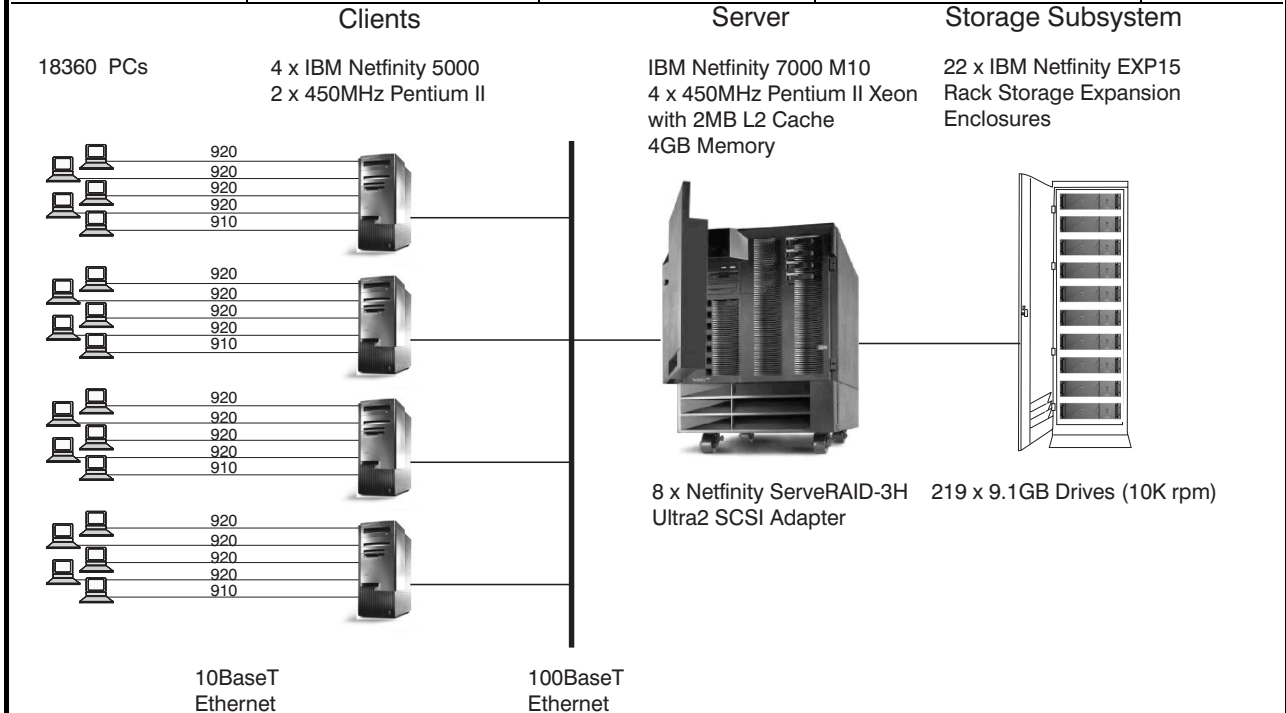
# IBM Netfinity 7000 M10 C/S

TPC-C Rev 3.4

Report Date: 29 Jan. 1999

Total System Cost	TPC-C Throughput	Price/Performance	Availability Date
<b>\$577,117</b>	<b>22,459.80 tpmC</b>	<b>\$25.70/tpmC</b>	<b>Jan. 19, 1999</b>

Processors	Database Manager	Operating System	Other Software	Number of Users
<b>4 Pentium® II Xeon 450MHz 2MB L2 Cache</b>	<b>Microsoft® SQL Server 7.0 Enterprise Edition</b>	<b>Microsoft Windows® NT 4.0 Enterprise Edition</b>	<b>TXSeries V4.2 for Windows NT Server</b>	<b>18,360</b>



System Component	Qty	Server	Qty	Each of Four Clients
Processors	4	450MHz Pentium II Xeon	2	450MHz Pentium II
Cache		2MB L2 Cache		512KB L2 Cache
Memory	1	4096MB	1	384MB
Disk Controllers	8	ServeRAID-3H Ultra2	1	Wide Ultra SCSI Onboard
Disk Drives	219	9.1GB (10000 rpm)	1	4.51GB Hard Disk
Total Storage		1992.9GB		
Tape Drive	1	10/20GB SCSI Tape Drive		
Terminals	1	14-inch Display	1	14-inch Display
User Connectivity	1	NETLUX 8-Port 100Mbps Hub	2528	COMPEX 8-Port 10Mbps Ethernet Hub

IBM Corporation		Netfinity 7000 M10 C/S		TPC-C Revision 3.4			
				Report Date: 29 Jan. 1999			
Description	Order Number	Third-Party Brand	Pricing	Unit Price	Qty	Ext. Price	5-Yr. Maint.*
<b>Server Hardware</b>							
IBM Netfinity 7000 M10 / 450MHz Pentium II Xeon with 2MB L2 Cache*	86805RU		1	\$15,639	1	\$15,639	\$6,415
450MHz / 2MB L2 Cache Processor Upgrade	10L5897		1	7,164	3	21,492	0
Memory Card	01K8004		1	517	1	517	0
Netfinity 512MB Memory Expansion Kit	01K8045		1	2,710	8	21,680	0
Netfinity ServeRAID-3H Ultra2 SCSI Adapter	01K7207		1	1,742	8	13,936	0
32MB Battery Backup Cache	28L1003		1	298	1	298	0
Netfinity 4.2M Ultra2 SCSI Cable	03K9311		1	104	22	2,288	0
IBM Third SCSI Internal Channel Cable	76H5400		1	29	7	203	0
Ethernet 100/10 PCI Adapter	08L2565		1	76	1	76	0
IBM G42 14" (13.2" Viewable) Color Monitor*	654000N		1	208	1	208	215
10/20GB NS Internal SCSI Tape Drive	01K1319		1	629	1	629	0
Netfinity Rack*	9306900		1	1,675	2	3,350	0
Side Panel Kit	94G6669		1	200	1	200	0
<b>Server Storage</b>							
Netfinity EXP15 Rack Storage (incl. 10% Spares)	35202RU		1	2,579	25	64,475	0
APC Smart-UPS 1400RMB	94G6674		1	1,140	1	1,140	0
Netfinity EXP10 9.1GB 10K Wide Ultra SCSI Drive (incl. 10% Spares)	01K8499		1	970	241	233,770	0
						<b>Subtotal</b>	<b>\$379,901 \$6,630</b>
<b>Server Software</b>							
Microsoft SQL Server 7.0, Enterprise Edition, unlimited user license		Microsoft	3	28,999	1	\$28,999	\$0
Microsoft Windows NT Server 4.0, Enterprise Edition, including 25 CALs		Microsoft	3	3,999	1	3,999	0
Five-Year Maintenance for Software		Microsoft	3	10,475	1		10,475
						<b>Subtotal</b>	<b>\$32,998 \$10,475</b>
<b>Client Hardware</b>							
IBM Netfinity 5000 / 450MHz Pentium II*	865931Y		1	2,612	4	\$10,448	10,140
450MHz Upgrade with Pentium II	10L5900		1	1,248	4	4,992	0
4.51GB Wide Ultra SCSI Drive	01K8009		1	625	4	2,500	0
128MB DIMMs	01K7262		1	437	12	5,244	0
Ethernet 100/10 PCI Adapter	08L2565		1	76	4	304	0
Adaptec Quartet 4-Port Ethernet PCI Adapter**	ANA-6944ATX		1	456	4	1,824	0
IBM G42 14" (13.2" Viewable) Color Monitor*	654000N		1	208	4	832	860
						<b>Subtotal</b>	<b>\$26,144 \$11,000</b>
<b>Client Software</b>							
Microsoft Windows NT Server 4.0, incl. 5 CALs		Microsoft	3	809	4	3,236	0
Microsoft Visual C++ Professional 5.0		Microsoft	3	499	1	499	0
TXSeries V4.2 for Windows NT Server		IBM	2	2,877	4	11,508	5,872
TXSeries Registered User		IBM	2	72	1	72	36
						<b>Subtotal</b>	<b>\$15,315 \$5,908</b>
<b>User Connectivity</b>							
COMPEX MicroHub/8-Port 10Mbps Hub***	DEH2924	COMPEX	4	34.85	2,528	88,101	0
NETLUX 8-Port 100Mbps Hub***	NX-H8TX	NETLUX	5	215	3	645	0
						<b>Subtotal</b>	<b>\$88,746 \$0</b>
						<b>Total</b>	<b>\$543,104 \$34,013</b>
Notes: * The standard 3-year warranty and the extended warranty on IBM hardware is for 7x24, on-site same day coverage. ** Five-year warranty. *** 10% or minimum 2 spares are added in place of on-site service (products have a 5-year return-to-vendor-warranty) Pricing: 1 - CDW Computer Centers, Inc.; 2 - IBM; 3 - Microsoft Corp.; 4 - DataComm Warehouse; 5 - NetLUX				<b>Five-Year Cost of Ownership:</b>		<b>\$577,117</b>	
<b>Audited by Francois Raab of Information Paradigm, Inc.</b>				<b>tpmC Rating:</b>		<b>22,459.80</b>	
				<b>\$/ tpmC:</b>		<b>25.70</b>	
Prices used in TPC benchmarks reflect the actual prices a customer would pay for a one-time purchase of the stated components. Individually negotiated discounts are not permitted. Special prices based on assumptions about past or future purchases are not permitted. All discounts reflect standard pricing policies for the listed components. For complete details, see the pricing sections of the TPC benchmark specification. If you find that stated prices are not available according to these terms, please inform the TPC at pricing@tpc.org. Thank you.							