

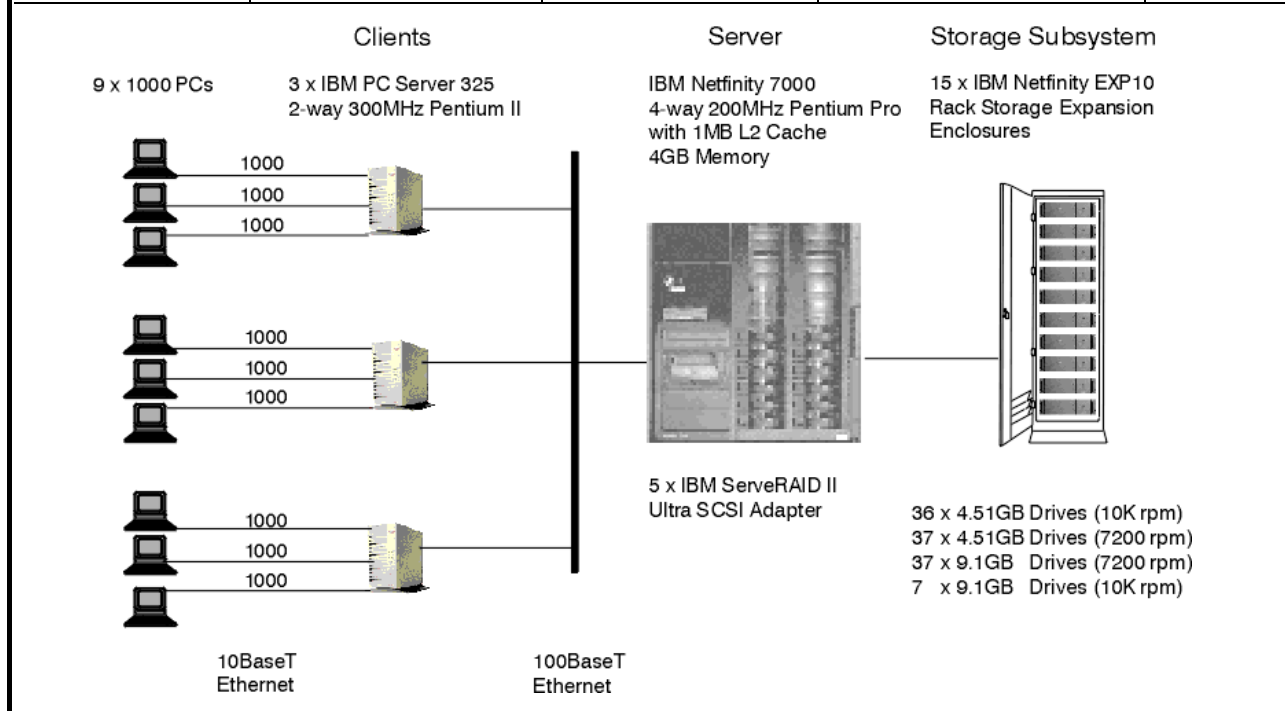


IBM® Netfinity™ 7000 C/S

TPC-C Rev 3.3

Report Date: 8 April 1998

Total System Cost		TPC-C Throughput	Price/Performance	Availability Date
\$425,795		11,078.00 tpmC	\$38.44/tpmC	April 30, 1998
Processors	Database Manager	Operating System	Other Software	Number of Users
4 Pentium® Pro 200MHz 1MB L2 Cache	Microsoft® SQL Server 6.5 Enterprise Edition	Microsoft Windows® NT 4.0 Enterprise Edition	TUXEDO® 6.3 CFS	9,000



System Component	Qty	Server	Qty	Each of Three Clients
Processors	4	200MHz Pentium Pro	2	300MHz Pentium II
Cache		1MB L2 Cache		512KB L2 Cache
Memory	1	4096MB	1	384MB
Disk Controllers	5	IBM ServeRAID II Ultra	1	Wide Ultra SCSI Onboard
Disk Drives	36	4.51GB (10000rpm)	1	4.51GB Hard Disk
	37	4.51GB (7200rpm)		
	37	9.1GB (7200rpm)		
	7	9.1GB (10000rpm)		
Total Storage		729.63GB		
Tape Drive	1	20/40GB SCSI Tape Drive		
Terminals	1	14-inch Display	1	14-inch Display
User Connectivity	1	NETLUX 8-Port 100Mbps Hub	1239	COMPEX 8-Port 10Mbps Ethernet Hub

IBM Corporation		IBM Netfinity 7000 C/S		TPC-C Revision 3.3			
				Report Date: 8 April 1998			
Description	Order Number	Third-Party Brand	Pricing	Unit Price	Qty	Ext. Price	5-Yr. Maint.*
Server Hardware							
IBM Netfinity 7000 / 1MB L2 200MHz Pentium Pro	8651-RH0		1	\$13,358	1	\$13,358	\$5,985
PC Server SMP 200MHz / 1MB Processor Upgrade	94G7147		1	4,842	3	14,526	0
Netfinity 1024MB Memory Expansion Kit	94G7386		1	9,852	4	39,408	0
IBM ServeRAID II Ultra SCSI Adapter	76H3584		1	1,784	5	8,920	0
IBM 3M External .8mm SCSI Cable	01K8027		1	45	15	675	0
IBM Third SCSI Internal Channel Cable	76H5400		1	26	5	130	0
IBM EtherJet 100/10 PCI Adapter	86H2432		1	78	1	78	0
IBM G42 14" (13.2" Viewable) Color Monitor	654000N		1	208	1	208	408
20/40GB SCSI Tape Drive	76H0485		1	3,157	1	3,157	0
Netfinity Rack	9306900		1	1,695	2	3,390	0
Side Panel Kit	94G6669		1	196	2	392	0
Server Storage							
IBM Netfinity EXP10 Rack Storage Exp. Enclosure	35201RU		1	2,698	15	40,470	27,000
APC Smart-UPS 1400RMB	94G6674		1	1,120	1	1,120	0
Netfinity EXP10 4.51GB Wide Ultra SCSI Drive	01K7956		1	736	37	27,232	0
Netfinity EXP10 4.51GB 10K Wide Ultra SCSI Drive	01K7960		1	1,052	36	37,872	0
Netfinity EXP10 9.1GB Wide Ultra SCSI Drive	01K7959		1	1,262	37	46,694	0
Netfinity EXP10 9.1GB 10K Wide Ultra SCSI Drive	01K7968		1	1,683	7	11,781	0
Subtotal						249,411	\$33,393
Server Software							
Microsoft SQL Server Enterprise Edition 6.5, unlimited user license		Microsoft	2	28,999	1	\$28,999	\$10,475
Microsoft Windows NT Server Enterprise Edition 4.0, including 25 CALs		Microsoft	2	3,999	1	3,999	0
Subtotal						\$32,998	\$10,475
Client Hardware							
IBM PC Server 325 / 300MHz Pentium II	8639-1RY		1	3,263	3	9,789	9,450
IBM Netfinity 300MHz Upgrade with Pentium II	10L5886		1	1,079	3	3,237	0
IBM Ultrastar 2XP 4.51GB Wide Ultra SCSI Drive	76H2687		1	631	3	1,893	0
128MB DIMMs	94G6475		1	1,188	6	7,128	0
64MB DIMMs	94G6474		1	377	3	1,131	0
IBM EtherJet 100/10 PCI Adapter	86H2432		1	78	9	702	0
IBM G42 14" (13.2" Viewable) Color Monitor	654000N		1	208	3	624	1,224
Subtotal						\$24,504	\$10,674
Client Software							
Microsoft Windows NT Server 4.0, incl. 5 CALs		Microsoft	2	809	3	2,427	0
Microsoft SQL Workstation, incl. programmer's toolkit		Microsoft	2	499	1	499	0
Microsoft Visual C++ 32-bit edition (subscription)		Microsoft	2	499	1	499	0
TUXEDO 6.3 Core Functionality Services for NT		BEA	3	3,000	3	9,000	6,750
Subtotal						\$12,425	\$6,750
User Connectivity							
COMPEX MicroHub/8-Port 10Mbps Hub**	DEH2924	COMPEX	4	35.85	1,239	44,418	0
NetLUX 8-Port 100Mbps Hub**	NX-H8TX	NETLUX	5	249	3	747	0
Subtotal						\$45,165	\$0
Total						\$364,503	\$61,292
Notes: * The standard 3-year warranty and the extended warranty on all IBM hardware is for 7x24, on-site same day coverage. **10% or minimum 2 spares are added in place of on-site service (products have a 5-year return-to-vendor-warranty) Pricing: 1 - Merisel; 2 - Microsoft Corp.; 3 - BEA Systems; 4 - DataComm Warehouse; 5 - NETLUX				Five-Year Cost of Ownership:		\$425,795	
				tpmC Rating:		11,078	
				\$/ tpmC:		38.44	
Audited by Francois Raab of Information Paradigm.							
Prices used in TPC benchmarks reflect the actual prices a customer would pay for a one-time purchase of the stated components. Individually negotiated discounts are not permitted. Special prices based on assumptions about past or future purchases are not permitted. All discounts reflect standard pricing policies for the listed components. For complete details, see the pricing sections of the TPC benchmark specification. If you find that stated prices are not available according to these terms, please inform the TPC at pricing@tpc.org. Thank you.							