

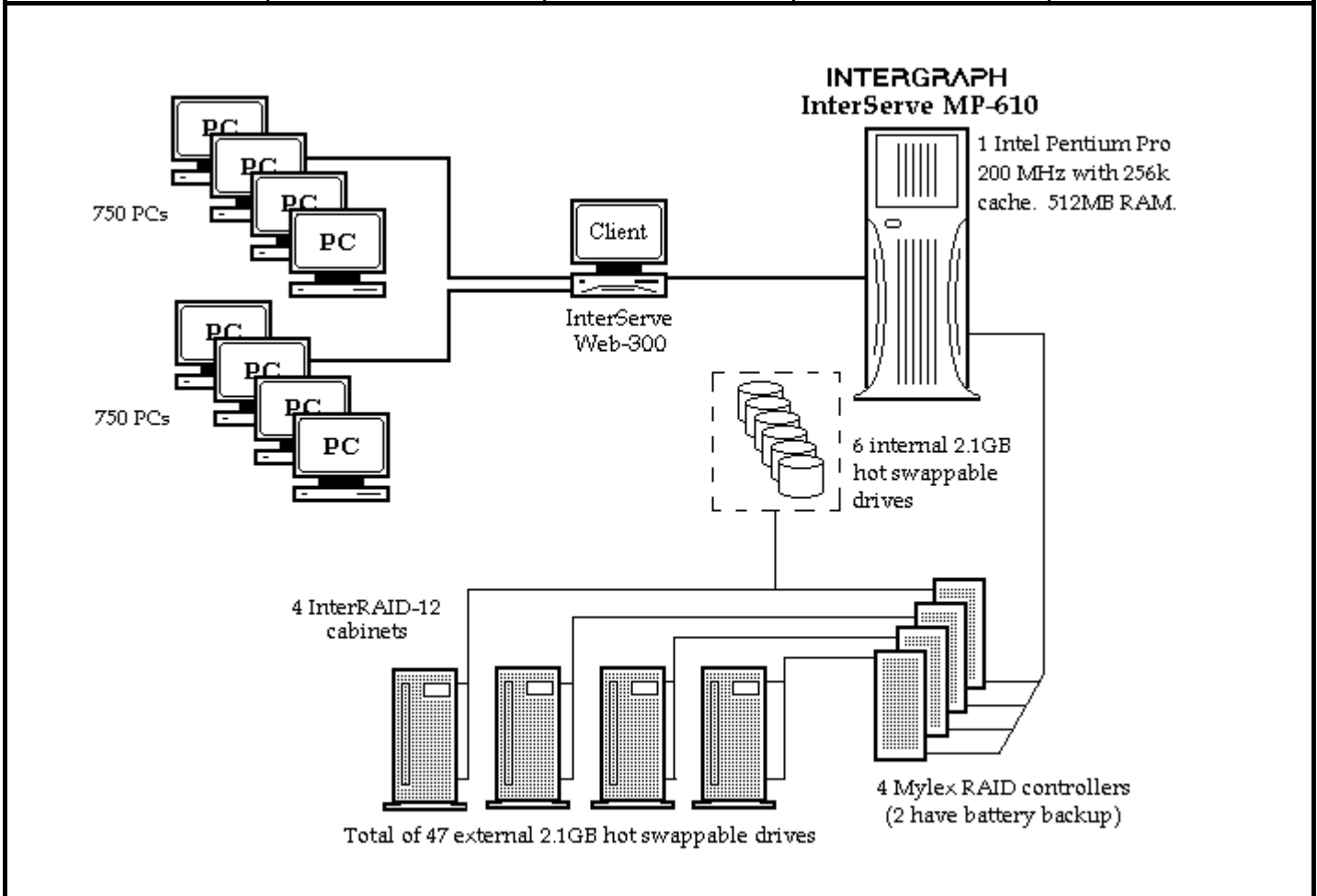


**InterServe MP-610 Server and  
InterServe Web-300**

**TPC-C Rev 3.2**

**Report Date: 4 Sept 1996**

<b>Total System Cost</b>	<b>TPC-C Throughput</b>	<b>Price /Performance</b>	<b>Availability Date</b>
<b>\$171,496</b>	<b>1675.53 tpmC</b>	<b>\$102.35</b>	<b>Sept. 1996</b>
<b>Processor</b>	<b>Database Manager</b>	<b>Operating System</b>	<b>Other Software</b>
<b>1 Pentium Pro 200 MHz</b>	<b>Microsoft SQL Server 6.5</b>	<b>Microsoft Windows NTS 4.0</b>	<b>Microsoft Internet Information Server</b>
			<b>Number of Users</b>
			<b>1500</b>



System Components	Server		Client	
	Qty	Type	Qty	Type
Processor	1	200 MHz Intel Pentium Pro 256k Cache	1	200 MHz Intel Pentium Pro
Memory	1	512 MB	1	128 MB
Disk Controllers	4	Mylex DAC960	1	Integrated Adaptec SCSI
Disk Drives	53	Conner 2.1GB Hot Swappable	1	Conner 2.1GB
Total Storage		111.3 GB		2.1 GB