

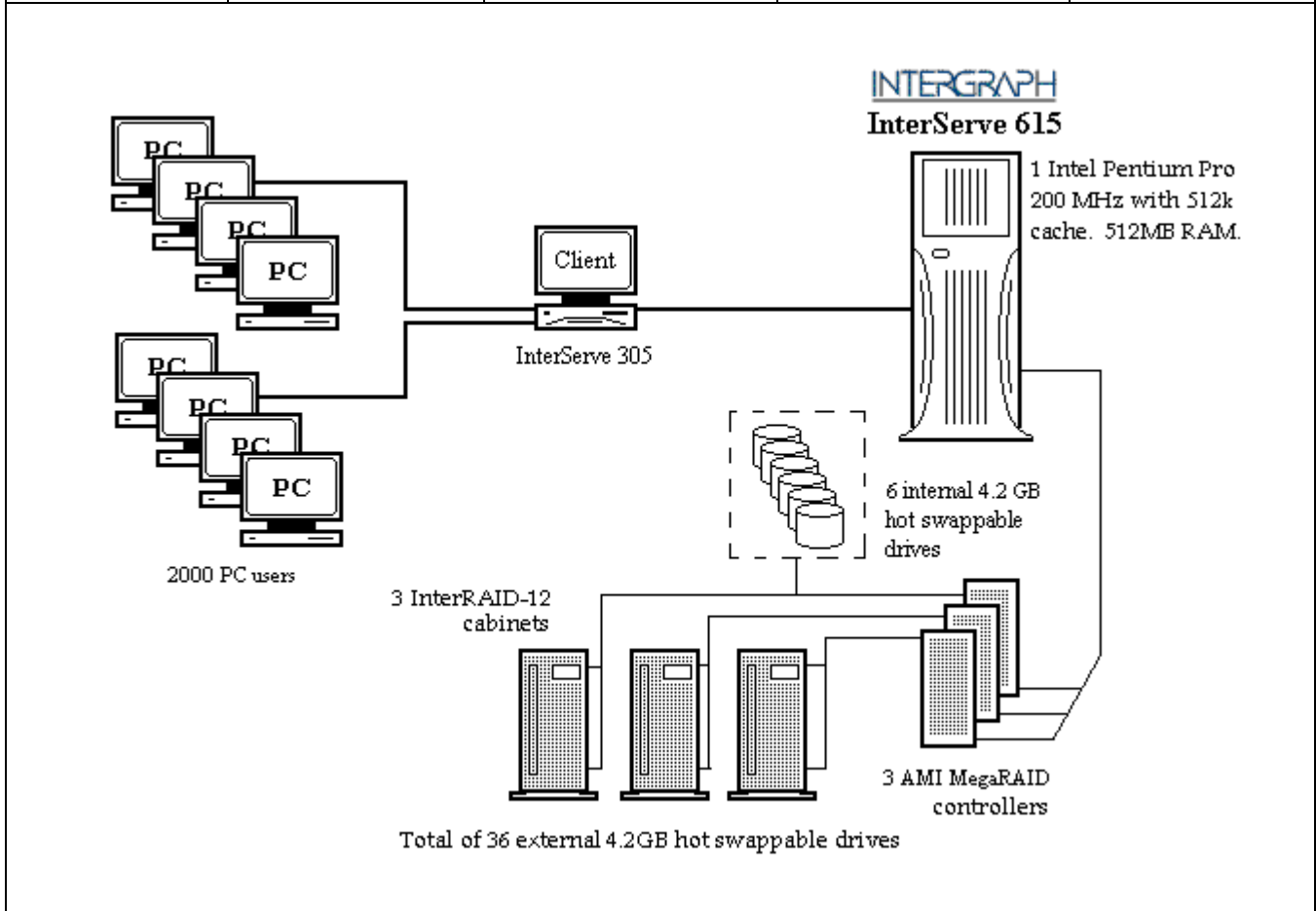


**InterServe 615 Server and
InterServe 305**

TPC-C Rev 3.2.3

Report Date: 04 Mar 1997

Total System Cost		TPC-C Throughput		Price /Performance		Availability Date	
\$152,748		2300.03 tpmC		\$66.41		March 1997	
Processor	Database Manager	Operating System	Other Software		Number of Users		
1 Pentium® Pro 200MHz	Microsoft SQL Server 6.5 (SP3)	Microsoft Windows NT 4.0 (SP1)	Microsoft Internet Information Server		2000		



System Components	Server		Client	
	Qty	Type	Qty	Type
Processor	1	200 MHz Intel Pentium Pro 512k Cache	1	200 MHz Intel Pentium Pro 256k Cache
Memory	1	512 MB	1	256 MB
Disk Controllers	3	AMI MegaRAID	1	Integrated Adaptec SCSI
Disk Drives	42	Seagate 4.2 GB Hot Swappable	1	Conner 2.1GB
Total Storage		176.4 GB		2.1 GB



**InterServe 615 Server and
InterServe 305**

TPC-C Rev 3.2.3

Report Date: 04 Mar 1997

Description	Part Number	Third Party	Unit Price	Qty	Extended Price	5 yr. Maint. Price
Server Hardware		Brand	Pricing			
IS 615 200MHz,3x4GB 128MB	FDPS310		\$18,800	1	\$18,800	4,504
InterRAID12 + RAID Controller	FDSK443		\$6,800	2	\$13,600	7,706
InterRAID12 Without Controller	FDSK463		\$4,800	1	\$4,800	2,142
128MB Memory Upgrade	FMEM154		\$1,599	3	\$4,797	
4mm Tape Drive	FMTPI60		\$1,399	1	\$1,399	
15" VGA Monitor	FOPT099		\$399	1	\$399	188
4GB Hot Swap Drive	FDSK461		\$1,495	39	\$58,305	
UPS	FPWS006		\$900	1	\$900	
Subtotal					\$103,000	14,540
Server Software						
MS SQL Server 6.5 Database		Microsoft	1,399	1	1,399	10,475
MS SQL Server Internet Connector license		Microsoft	2,999	1	2,999	Included above
MS SQL Server Pgrs Toolkit		Microsoft	499	1	499	Included above
Visual C++ 32 Bit Edition (subscription)		Microsoft	499	1	499	Included above
Microsoft NTS 4.0 included with server						
Subtotal					5,396	10,475
Client Hardware						
InterServe 305 64MB,2GB	FDPS446		6,020	1	6,020	1,457
64MB Memory Upgrade	FMEM153		799	3	2,397	
Intel 10/100Base-T PCI Ethernet Controller	FINF920		150	2	300	
15" VGA Monitor	FOPT099		399	1	399	188
Subtotal					9,116	1,645
Client Software						
Microsoft NTS 4.0 included on Web servers (includes 5 user licenses)						
Subtotal					0	0
User Connectivity						
34 Port 10BaseT Hub (for 2000 users + 10% spares)	AT-3024TR-15	PC Importers	297	65	19,305	NA
8 Port 100BaseT Hub (for client + server + spares)	AEF-8TX	CompuStar	529	3	1,587	NA
Subtotal					20,892	0
Other Discounts*					(\$12,316)	
Total					\$126,088	\$26,660

Notes: * Reseller Discount

Prices used in TPC benchmarks reflect the actual prices a customer would pay for a one-time purchase of the stated components. Individually negotiated discounts are not permitted. Special prices based on assumptions about past or future purchases are not permitted. All discounts reflect standard pricing policies for the listed components. For complete details, see the pricing sections of the TPC benchmark pricing specifications. If you find that the stated prices are not available according to these terms, please inform the TPC at pricing@tpc.org. Thank You.

The benchmark results and test methodology were audited by Francois Raab of Information Paradigm, Inc.

Five Year Cost of Ownership:
tpmC Rating:
\$ / tpmC:

\$152,748
2300.03
\$66.41