

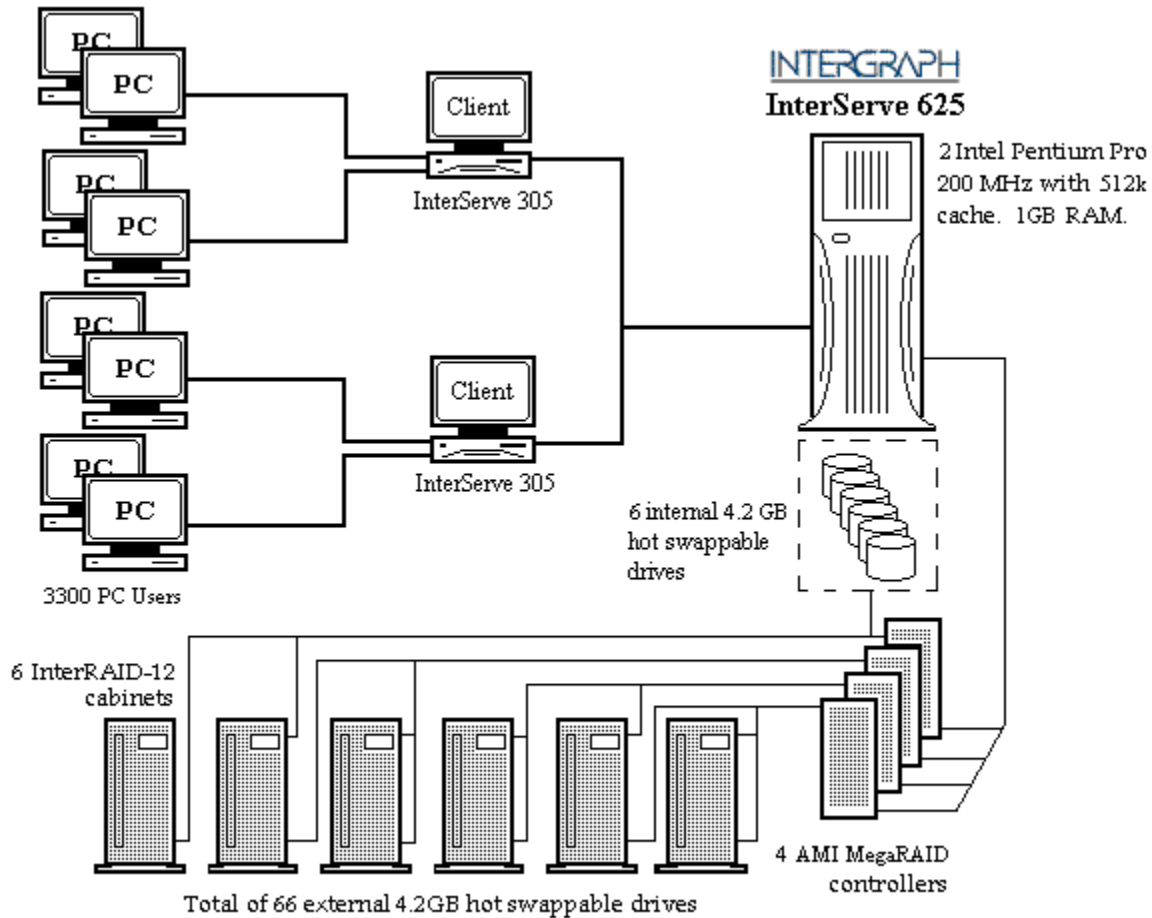


**InterServe 625 Server and  
InterServe 305**

**TPC-C Rev 3.2.3**

**Report Date: 04 Mar 1997**

<b>Total System Cost</b>	<b>TPC-C Throughput</b>	<b>Price /Performance</b>	<b>Availability Date</b>
<b>\$250,927</b>	<b>3961.00 tpmC</b>	<b>\$63.34</b>	<b>March 1997</b>
<b>Processor</b>	<b>Database Manager</b>	<b>Operating System</b>	<b>Other Software</b>
<b>2 Pentium® Pro 200MHz</b>	<b>Microsoft SQL Server 6.5 (SP3)</b>	<b>Microsoft Windows NT 4.0 (SP1)</b>	<b>Microsoft Internet Information Server</b>
			<b>Number of Users</b>
			<b>3300</b>



System Components	Server		Client	
	Qty	Type	Qty	Type
Processor	2	200 MHz Intel Pentium Pro 512k Cache	2	200 MHz Intel Pentium Pro 256k Cache
Memory	1	1024 MB	2	128 MB
Disk Controllers	4	AMI MegaRAID	2	Integrated Adaptec SCSI
Disk Drives	72	Seagate 4.2 GB Hot Swappable	2	Conner 2.1GB
Total Storage		302.4 GB		4.2 GB



**InterServe 625 Server and  
InterServe 305**

**TPC-C Rev 3.2.3**

**Report Date: 04 Mar 1997**

Description	Part Number	Third Party	Unit Price	Qty	Extended Price	5 yr. Maint. Price
<b>Server Hardware</b>		<b>Brand</b>	<b>Pricing</b>			
InterServe 625 (2x200/512,256MB,3x4GB)	FDPS413		\$25,600	1	\$25,600	6,160
InterRAID12 + RAID Controller (three)	FDSK443		\$6,800	3	\$20,400	11,559
InterRAID12 Without Controller	FDSK463		\$4,800	3	\$14,400	6,425
256MB Memory Upgrade	FMEM155		\$4,999	3	\$14,997	
4mm Tape Drive	FMTP160		\$1,399	1	\$1,399	
15" VGA Monitor	FOPT099		\$399	1	\$399	188
4GB Hot Swap Drive	FDSK461		\$1,495	69	\$103,155	
UPS (900Va)	FPWS006		\$900	1	\$900	
<b>Subtotal</b>					<b>\$181,250</b>	<b>24,332</b>
<b>Server Software</b>						
MS SQL Server 6.5 Database		Microsoft	1,399	1	1,399	10,475
MS SQL Server Internet Connector license		Microsoft	2,999	1	2,999	Included above
MS SQL Server Pgrs Toolkit		Microsoft	499	1	499	Included above
Visual C++ 32 Bit Edition (subscription)		Microsoft	499	1	499	Included above
Microsoft NTS 4.0 included with server						
<b>Subtotal</b>					<b>5,396</b>	<b>10,475</b>
<b>Client Hardware</b>						
InterServe 305 (32MB,2GB)	FDPS320		5,620	2	11,240	2,716
32MB Memory Upgrade	FMEM134		399	6	2,394	
Intel 10/100BaseT PCI Ethernet Controller	FINF920		150	4	600	
15" SVGA Monitor	FOPT099		399	1	399	188
<b>Subtotal</b>					<b>14,633</b>	<b>2,904</b>
<b>Client Software</b>						
Microsoft NTS 4.0 included on Web server (includes 5 user licenses)						
<b>Subtotal</b>					<b>0</b>	<b>0</b>
<b>User Connectivity</b>						
34 Port 100BaseT Hub (includes 10% spares) (for 3300 users + 10% spares)	AT-3024TR-15	PC Importers	297	108	32,076	NA
8 Port 100BaseT Hub (includes spare) (for server + 2 clients + spares)	AEF-8TX	CompuStar	529	3	1,587	NA
<b>Subtotal</b>					<b>33,663</b>	<b>0</b>
<b>* Other Discounts</b>					<b>(\$21,726)</b>	
<b>Total</b>					<b>\$213,216</b>	<b>\$37,711</b>

**Notes: \* Reseller Discount**

Prices used in TPC benchmarks reflect the actual prices a customer would pay for a one-time purchase of the stated components. Individually negotiated discounts are not permitted. Special prices based on assumptions about past or future purchases are not permitted. All discounts reflect standard pricing policies for the listed components. For complete details, see the pricing sections of the TPC benchmark pricing specifications. If you find that the stated prices are not available according to these terms, please inform the TPC at pricing@tpc.org. Thank You.

The benchmark results and test methodology were audited by Francois Raab of Information Paradigm, Inc.

**Five Year Cost of Ownership:  
tpmC Rating:  
\$ / tpmC:**

**\$250,927  
3961.00  
\$63.34**