



# NCR WorldMark™

## 4300S C/S w/5 S26 Clients

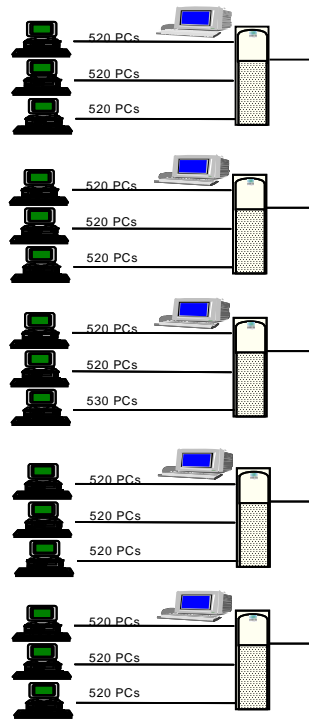
TPC-C Rev. 3.3

Report Date:

June 2, 1997

|                        |   |   |   |                      |
|------------------------|---|---|---|----------------------|
| Total System Cost      | TPC-C Throughput                              | Price / Performance                         | Availability Date   |                      |
| <b>\$ 778,970</b>      | <b>9116 tpmC</b>                              | <b>\$ 85.45 per tpmC</b>                    | <b>November 30, 1997</b>  |                      |
| Processors             | Database Manager                              | Operating System                            | Other Software  | Level of Concurrency |
| (4) Pentium Pro<br>200 | Microsoft SQL Server v.6.5 Enterprise Edition | Microsoft Windows NT 4.0 Enterprise Edition | NCR TopEnd 2.04.01, Microsoft Internet Connector License, Microsoft Visual C++, Microsoft SQL Server Programmer's Toolkit | 7800 users           |

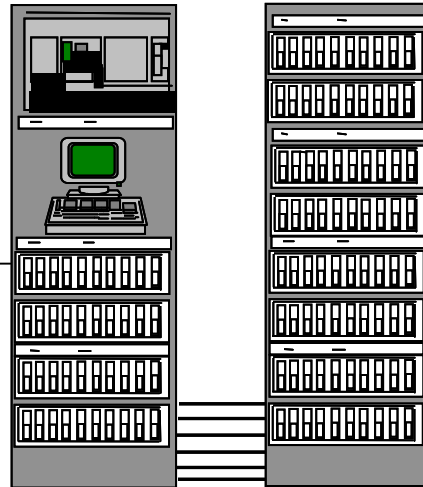
### Clients



(5) NCR S26's

### Server

(1) NCR 4300R  
(1) 6250 RAID modules of (20) 9G disks  
and (3) 6250 RAID modules of (20) 4G disks



(1) NCR 4300R  
w/4 processors , CDROM,  
(3) 4GB Drives, and (2) 6250  
RAID modules of (20) 4G disks

| System Components | Server   |                                       | Clients  |                                  |
|-------------------|----------|---------------------------------------|----------|----------------------------------|
|                   | Quantity | Description                           | Quantity | Description                      |
| Processors        | 4        | Intel PentiumPro/200 w/ 512K 2LC each | 5        | Intel Pentium Pro/200 w/256K 2LC |
| Memory            | 4        | 1024 Megabytes                        | 5        | 512 Megabytes                    |
| Disk Controllers  | 4        | NCR PCI QuadSCSI                      | 5        | Integrated SCSI                  |
| Disk Drives       | 103      | 4GB Drives                            | 5        | 2GB SCSI                         |
|                   | 20       | 9GB Drives                            |          |                                  |
| CDROM Drive       | 1        | SCSI                                  | 5        | SCSI                             |
| PC Connectivity   | 429      | Linksys 10B 20 port HUBS              |          |                                  |
|                   | 3        | Linksys 100B 4 port HUBS              |          |                                  |
| Network Adapters  | 1        | PCI 10/100 Ethernet                   | 20       | PCI 10/100Ethernet               |



# NCR WorldMark 4300S c/s Microsoft SQL Server 6.5

TPC-C Rev. 3.3

Report Date:  
June 2, 1997

| Description  | Product ID     | Third Party  |                | Unit List   | Quantity | Extended List | Extended 5 Year Maint |
|--|----------------|--------------|----------------|---|----------|---------------|-----------------------|
| <b>Server Hardware</b>   |                | <b>Brand</b> | <b>Pricing</b> |   |          |               |                       |
| 4300S/2 P6 200, 0MB DIMM   | 3447-4922-8090 |              |                | 18,750  | 1        | 18,750        | 8,980                 |
| 2 200MHz/512   | F027           |              |                | 8,300   | 1        | 8,300         | 840                   |
| Memory Upgrade, 1GB DIMMs  | F120           |              |                | 34,000  | 4        | 136,000       | 0                     |
| Quad SCSI Adapter (4DF)  | F129           |              |                | 2,550   | 4        | 10,200        | 0                     |
| HD Disk- 4GB 7200 F/W Hot Plug   | F343           |              |                | 1,600   | 3        | 4,800         | 960                   |
| Ethernet Adapter PCI 10BaseT   | F143/F144      |              |                | 225   | 1        | 225           | 40                    |
| Monochrome Monitor, 14" VGA  | 3298-2131-8090 |              |                | 215   | 1        | 215           | 108                   |
| <b>Disk Solution</b>   |                |              |                |   |          |               |                       |
| RACKMOUNT CABINET(STAGED, 4300S)   | 6250-6100-6690 |              |                | 2,050   | 1        | 2,050         | 6,375                 |
| SCSI 68P HD TO 68P HD - 15 FT  | 1415-C078-0030 |              |                | 250   | 12       | 3,000         | 0                     |
| Series 4 controller - 64 MB cache  | 6250-F058      |              |                | 12,180  | 12       | 146,160       | 67,200                |
| Series 4 disk array module   | 6250-F200      |              |                | 13,740  | 6        | 82,440        | 0                     |
| 4.2GB 7200RPM SCA DISK DRIVE   | 6250-F204      |              |                | 1,600   | 100      | 160,000       | 0                     |
| 9.1 GB 7200RPM SCA DISK DRIVE  | 6250-F309      |              |                | 2,450   | 20       | 49,000        | 0                     |
| <b>Subtotal</b>  |                |              |                |   |          | 621,140       | 84,503                |
| <b>Server Software</b>   |                |              |                |   |          |               |                       |
| Microsoft NT Server v. 4.0 Enterprise Edition  |                | Microsoft    | 1              | 3,999   | 1        | 3,999         | 0                     |
| Microsoft SQL Server 6.5 Enterprise Edition  |                | Microsoft    | 1              | 7,999   | 1        | 7,999         | 0                     |
| Microsoft Internet Connector License   |                | Microsoft    | 1              | 2,999   | 1        | 2,999         | 0                     |
| Microsoft Software Maintenance   |                | Microsoft    | 1              | 10,475  | 1        |               | 10,475                |
| <b>Subtotal</b>  |                |              |                |   |          | 14,997        | 10,475                |
| <b>Client Hardware</b>   |                |              |                |   |          |               |                       |
| S26 XLP  | 3426-7600      |              |                | 4,500   | 5        | 22,500        | 7,015                 |
| 200MHz uni-proc  | 3426-F044      |              |                | 1,500   | 5        | 7,500         | 1,430                 |
| 128MB SIMM Kit (2x64MB)  | 3426-F109      |              |                | 3,500   | 20       | 70,000        | 0                     |
| F/W 2GB Hot Plug Drive   | 3426-F344      |              |                | 1,200   | 5        | 6,000         | 900                   |
| Ethernet Adapter, PCI  | 3426-F143/F144 |              |                | 225   | 20       | 4,500         | 0                     |
| Monochrome Monitor, 14" VGA  | 3298-2131-8090 |              |                | 215   | 5        | 1,075         | 540                   |
| US/North American Power Cord   | 3404-F050      |              |                | 0   | 5        | 0             | 0                     |
| <b>Subtotal</b>  |                |              |                |   |          | 111,575       | 9,885                 |
| <b>Client Software</b>   |                |              |                |   |          |               |                       |
| Microsoft Windows NT Server v. 4.0   |                | Microsoft    | 1              | 809   | 5        | 4,045         | 0                     |
| Microsoft SQL Workstation w/ Programmers Toolkit   |                | Microsoft    | 1              | 499   | 1        | 499           | 0                     |
| Visual C++ 32-bit edition(subscription)  |                | Microsoft    | 1              | 499   | 1        | 499           | 0                     |
| TopEnd 2.04  | D906-A210-0000 |              |                | 5,000   | 5        | 25,000        | 1,025                 |
| <b>Subtotal</b>  |                |              |                |   |          | 30,043        | 1,025                 |
| <b>User Connectivity</b>   |                |              |                |   |          |               |                       |
| Linksys 20-port 10BaseT Hubs   | 65360304       | Linksys      | 2              | 180   | 390      | 70,200        | 0                     |
| SPARE 20 port Hubs   | 65360304       | Linksys      | 2              | 180   | 39       | 7,020         | 0                     |
| Linksys 8-port 100BaseTX Hubs  | 65360303       | Linksys      | 2              | 555   | 1        | 555           | 0                     |
| Spare Linksys 8-port 100BaseTX Hubs  | 65360303       | Linksys      | 2              | 555   | 2        | 1,110         | 0                     |
| <b>Subtotal</b>  |                |              |                |   |          | 78,885        | 0                     |
| <b>Discounts</b>   |                |              |                |   |          | (164,476)     | (19,083)              |
| <b>Total</b>   |                |              |                |   |          | \$692,165     | \$86,805              |
| 1: Microsoft - Client/server software maint. shown bundled under Server Software.<br>2: Dataflex - Hubs have a 5 year warranty.<br>Audited by Information Paradigm, Inc.<br>Hardware is available June 1997, Software available November 1997. |                |              |                | Five-Year Cost Of Ownership: 778,970<br>tpmC Rating: 9,116.00<br>\$/tpmC: \$85.45 |          |               |                       |

Prices used in TPC benchmarks reflect the actual prices a customer would pay for a one-time purchase of the stated components. Individually negotiated discounts are not permitted. Special prices based on assumptions about past or future purchases are not permitted. All discounts reflect standard pricing policies for the listed components. For complete details, see the pricing sections of the TPC benchmark specifications. If you find that the stated prices are not available according to these items, please inform the TPC at pricing@tpc.org.