

**Sybase,  
Inc.Digital  
AlphaServer**

**8400 5/300  
10 CPUs C/S and 10 AlphaServer  
1000 4/233 Front-End Systems**

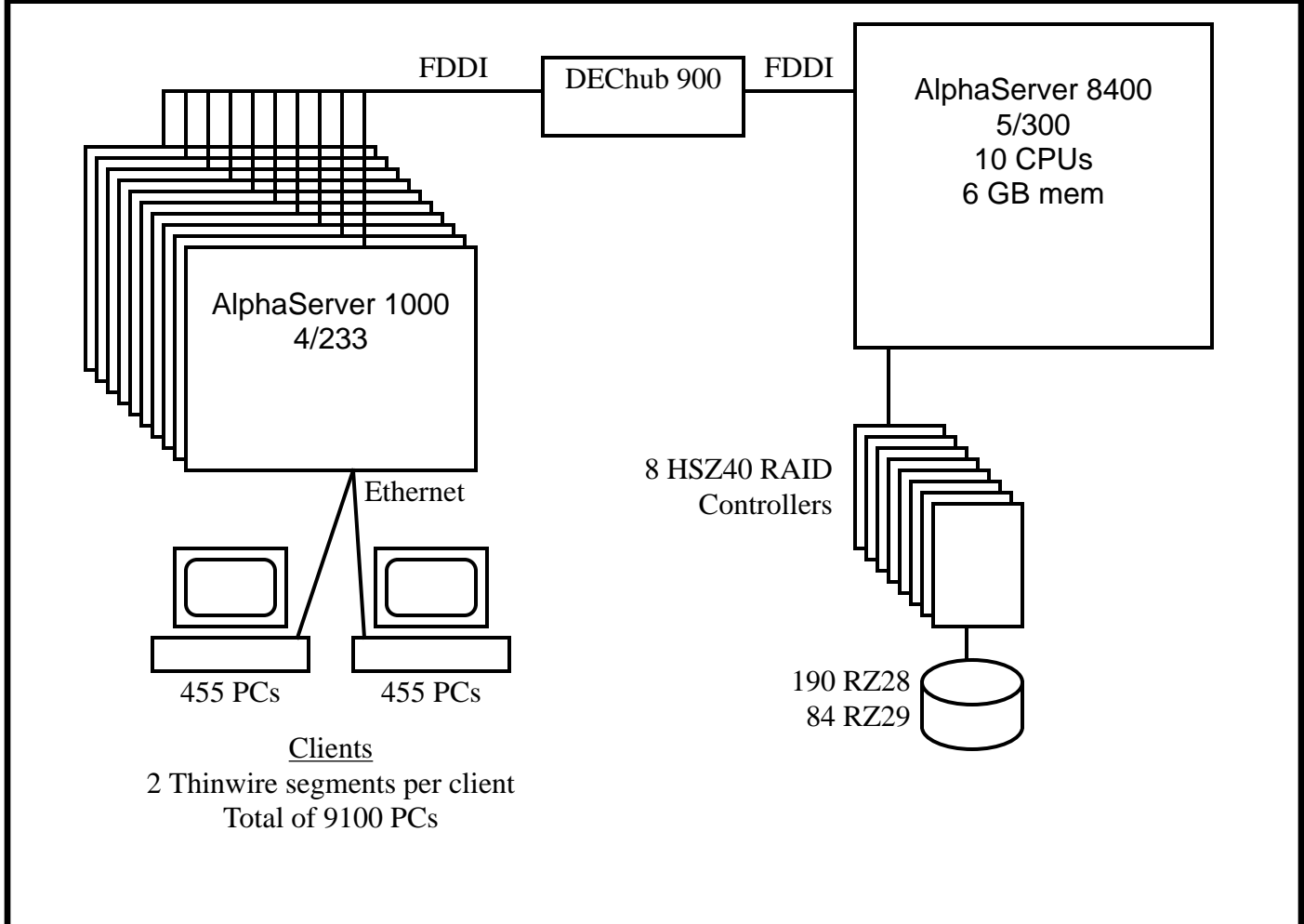
**TPC-C Rev 3.0**

**Report Date: 15 Dec 1995**

warehouses	910												
users	9100												
	Part Num.	Unit Price 1 Yr Warr	Qty	Dis.	Ext. Price	Service Level	Maint \$	#	Y	5 Yrs Service	5 Year Cost		
<b>SERVER HARDWARE:</b>													
Digital AlphaServer 8400 in-cabinet	DA-291BF-AA	395,600	1	(79,120)	316,480	NA	0	0	0	0	\$316,480		
YR1-5 5X9 4HR - AlphaServer 8400 dual processor	FM-424HR-60	43,968	1	0	43,968	A.C.*	0	5	0	0	\$43,968		
S/W 5Y Digital Unix 8400 dual processor	FM-84DOS-60	24,204	1	0	24,204	A.C.*	0	5	0	0	\$24,204		
Additional Dual-CPU	752P2-AK	65,000	4	(52,000)	208,000	A.C.*	0	5	0	0	\$208,000		
2.1GB AlphaServer 8xxx Memory	MS7CC-PA	212,600	2	(85,040)	340,160	A.C.*	0	5	0	0	\$340,160		
48Volt Power Regulator Option	H7261-AA	8,346	2	(3,005)	13,687	A.C.*	0	5	0	0	\$13,687		
Turbo-Laser IO Port MOD	E2052-AA	8,200	1	(1,640)	6,560	A.C.*	0	5	0	0	\$6,560		
DEChub 900 MultiSwitch, US/JA	DMHUB-AA	3,990	1	(1,077)	2,912	A.C.*	0	5	0	0	\$2,912		
DEChub 900 Additional Power Supply	H7894-MA	990	1	(178)	812	A.C.*	0	5	0	0	\$812		
HUBwatch U/A Trad Lic	QL-0MWA9-AA	2,900	1	(522)	2,378	A.C.*	0	5	0	0	\$2,378		
DEChub/HUBwtU/A Cdrom PKG	QB-32VAC-AA	233	1	(42)	191	A.C.*	0	5	0	0	\$191		
6-Port Conc with MOD PMDs	DEF6M-WA	6,600	2	(3,564)	9,636	A.C.*	0	5	0	0	\$9,636		
DECAswitch 900EF	DEFBA-AA	7,995	2	(4,317)	11,673	A.C.*	0	5	0	0	\$11,673		
PCI FPU for 8400 System Cab	DWLPA-AA	9,000	1	(1,800)	7,200	A.C.*	0	5	0	0	\$7,200		
RZ28 2.1 GB SCSI Disk	RZ28M-VA	1,449	208	(60,278)	241,114	WWS**	0	5	0	0	\$241,114		
RZ29 4.3 GB SCSI Disk	RZ29B-VA	2,199	93	(40,901)	163,606	WWS**	0	5	0	0	\$163,606		
PCI-HOST BUS ADAPTER (FWD)	KZPSA-BB	1,995	8	(2,873)	13,087	A.C.*	0	5	0	0	\$13,087		
ST-SC DUAL FO CBL,MM,PP 4.5M	BN34A-4E	102	1	(18)	84	A.C.*	0	5	0	0	\$84		
MIC-SC DUAL FO CBL, MM, P-P, 3M	BN34D-03	84	1	(15)	69	A.C.*	0	5	0	0	\$69		
SC, FO, P-P, SM CONN 6PK	H3114-FO	96	2	(35)	157	A.C.*	0	5	0	0	\$157		
PCI TO FDDI ADPTR SAS,MMF,SC	DEFPA-AA	1,195	1	(323)	872	A.C.*	0	5	0	0	\$872		
SW SCSSI Array Cntrl 42 Device	HSZ40-BA	6,675	8	(14,418)	38,982	A.C.*	0	5	0	0	\$38,982		
UGB SCSI CAB FOR 24 SHLF 208V	SW800-AA	6,102	3	(4,943)	13,363	A.C.*	0	5	0	0	\$13,363		
STOR SHLF/METRIC W/PS SCSI	BA350-JA	971	40	(7,768)	31,072	A.C.*	0	5	0	0	\$31,072		
SWXXX CNTLR SHELFR W/PWR	BA350-MB	1,684	8	(2,694)	10,778	A.C.*	0	5	0	0	\$10,778		
8 GB DAT W/SNAP-IN SW CARRIER	TLZ07-VA	1,999	1	(400)	1,599	A.C.*	0	5	0	0	\$1,599		
2.0 M Cable, SCSI-2 A	BN21H-02	82	24	(394)	1,574	A.C.*	0	5	0	0	\$1,574		
1.0 M Cable, SCSI-2 A	BN21H-01	77	24	(370)	1,478	A.C.*	0	5	0	0	\$1,478		
1.5 M Cable, SCSI-3 P 1S/1R	BN21K-05	156	8	(250)	998	A.C.*	0	5	0	0	\$998		
VF510, WHITE, NORTH, AMER	376	1	(38)	338	A.C.*	0	5	0	0	0	\$338		
US/UK 108 KEYBOARD	LK411-AA	63	1	(6)	57	A.C.*	0	5	0	0	\$57		
<b>CLIENT HARDWARE:</b>													
AlphaServer 1000 4/233 Digital UNIX	PE71C-PA	9,780	10	(19,560)	78,240	A.C.*	0	5	0	0	\$78,240		
5 YR 5x9 4HR Asrvr 1000	FM-MK4HR-60	3,085	10	0	30,850	A.C.*	0	5	0	0	\$30,850		
5 YR, Digital UNIX s/w Asrvr 1000	FM-MKOSF-60	5,153	10	0	51,530	A.C.*	0	5	0	0	\$51,530		
Simple Technologies 128 MB memory	QS-HQ1AC-HJ	6,995	20	0	139,900	A.C.*	0	5	0	0	\$139,900		
RZ28 2.1 GB SCSI Disk	RZ28M-VW	1,579	10	(3,158)	12,632	A.C.*	0	5	0	0	\$12,632		
PCI 32 Bit, B. M., PC NIC	DE435-AA	179	10	(358)	1,432	A.C.*	0	5	0	0	\$1,432		
PCI to FDDI Adptr SAS,MMF,SC	DEFPA-AA	1,195	10	(2,390)	9,560	A.C.*	0	5	0	0	\$9,560		
ST-SC dual FO CBL, MM, PP, 4.5M	BN34A-4E	102	10	(204)	816	A.C.*	0	5	0	0	\$816		
MIC-SC dual FO CBL, MM, P-P, 3M	BN34D-03	84	10	(168)	672	A.C.*	0	5	0	0	\$672		
14 APM CLR MON, .28mm MPR2	FR-PCXCV-VA	349	10	(349)	3,141	A.C.*	0	5	0	0	\$3,141		
PS/2 NORTH AMERICAN KBD	LK471-AA	75	10	(150)	600	A.C.*	0	5	0	0	\$600		
Digital Unix UNLTD IA user license	QL-MT7AE-AA	6,620	10	(13,240)	52,960	A.C.*	0	5	0	0	\$52,960		
Digital UNIX A BAS CDROM	QA-MT4AA-H8	314	1	(63)	251	A.C.*	0	5	0	0	\$251		
Multiia Multi-Client Desktop Sys.	VX47A-F3	0	9100	0	0	WWS	0	5	0	0	\$0		
<b>DIGITAL TOTAL:</b>					1,862,433						\$1,889,675		
HTI, ULTRA SlimLine 24 PORT HUB	DEH1477 (D.C.W)	280	418	0	117,040		0	5	0	0	\$117,040		
<b>Software:</b>													
/IT1 TP Monitor	/IT1 TP Mo	6,000	9	(16,200)	37,800	/IT1	900	5	40500	0	\$78,300		
/IT1 TP Monitor	/IT1 TP Mo	7,500	1	0	7,500	/IT1	1125	5	5625	0	\$13,125		
/IT1 TP Monitor Documentation	/IT1 TP Mo	295	1	0	295	/IT1	0	5	0	0	\$295		
SYBASE Open Client/DM LIE	SYbase	795	10	(1,590)	6,360	WWS	127	5	635	0	\$6,995		
SYBASE sql Server RDBMS Software	SYbase	133,900	1	(26,780)	107,120	WWS	14997	5	74984	0	\$182,104		
SYbase SMP Acc. Fee	SYbase	3,700	11	(8,140)	32,560	WWS	4558	5	22792	0	\$55,352		
Extended Warranty (M13-60) Avnet Computer *	FM-WRNTY-60	35,393	1	0	35,393	WWS	0	5	0	0	\$35,393		
Hardware Installation service	Avnet	67,040	1	0	67,040	WWS	0	5	0	0	\$67,040		
<b>CONFIGURATION TOTAL:</b>					2,276,541					144536	\$2,445,319		
											TPM = 11,014		
											\$/TPM = 222		
** 10% or minimum of 2 spares are added in place of on site service. These products have 5 years return to Digital Warranty.													
12/13/95													

Notes:

<b>Sybase Inc.</b>	<b>Digital AlphaServer 8400 5/300 10 CPUs and 10 AlphaServer 1000 4/233 Front-End Systems</b>		<b>TPC-C Rev 3.0</b>	
			<b>Report Date: 21 Dec 1995</b>	
<b>Total System Cost</b>	<b>TPC-C Throughput</b>	<b>Price/Performance</b>	<b>Availability Date</b>	
<b>\$2,445,319</b>	<b>11,014.10</b>	<b>\$222 /tpmC</b>	<b>March 1996</b>	
<b>Processors</b>	<b>Database Manager</b>	<b>Operating System</b>	<b>Other Software</b>	<b>Number of Users</b>
<b>10 300 MHz DECchip 21164</b>	<b>Sybase SQL Server 11.0</b>	<b>Digital Unix V3.2C</b>	<b>ITI TUXEDO System/T v4.2</b>	<b>9,100</b>



<b>System Components</b>	<b>Server</b>		<b>Client (each of 10)</b>	
	<b>Qty</b>	<b>Type</b>	<b>Qty</b>	<b>Type</b>
Database Nodes	1	AlphaServer 8400 5/300	1	AlphaServer 1000 4/233
Processors	10	300 MHz DECchip 21164	1	233 MHz DECchip 21064A
Cache Memory		4 Mb		512 KB
Memory (MB)	3	2 GB	2	128 MB
Controllers	8	PCI		
Disks	84	4.0 GB Disks	1	2.1 GB
	190	2.1 GB Disks		
Total Disk Storage		735 GB		2.1 GB