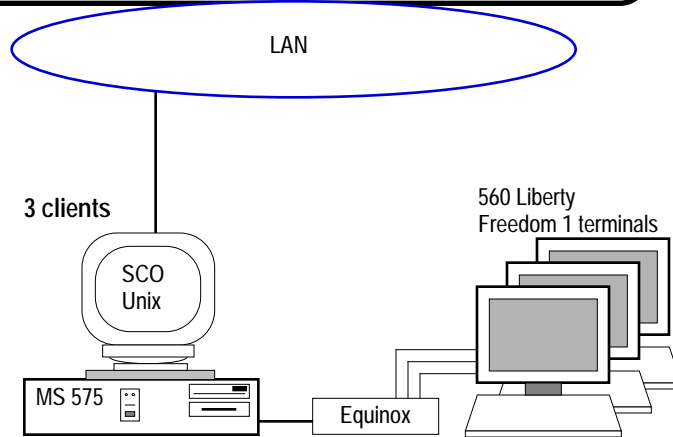
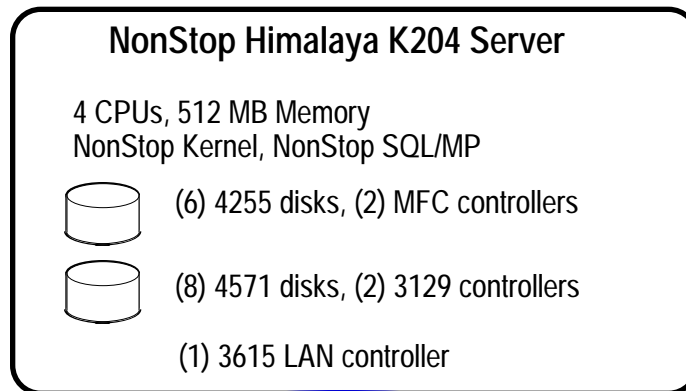


Tandem	NonStop Himalaya K204 Client/Server		TPC-C Rev 3.0	
			Report Date: August 31, 1995	
Total System Cost	TPC-C Throughput	Price/Performance	Availability Date	
\$379,668	603.80 tpmC	\$629 per tpmC	March, 1996	
Processors	Database Manager	Operating System	Other Software	Number of Users
Himalaya K200 (4) NSR-K (MIPS R4400 125 Mhz)	NonStop SQL/MP	NonStop Kernel (version D30)	Client: SCO Unix	560



<u>System Components</u>	<u>Qty</u>	<u>Type</u>
Processors	4	NSR-K (MIPS R4400 150MHz)
Memory	512 MB	
Disk Controllers	2	MFC (3681)
	2	3129
Disk Drives	6	4255 (2 GB internal)
	8	4571 (4 GB external)
Total GB of Storage	45 GB	
Tape Drives	1	5126
Front-end clients	3	Tandem MS 575
Terminals	560	Liberty Freedom One
Terminal Connectivity	6	Equinox Megaplex

Tandem**NonStop Himalaya K204
Client/Server**

TPC-C Rev 3.0

Report Date: August 31, 1995

Product ID	Description	Qty	Purchase Price		Maintenance	
			List Price	Extended Price	\$/Month	5 Year Service
<u>Tandem Hardware</u>						
K204TPH	K204 server with 4 cpus, 512 MB memory, 45 GB disk, tape drive	1	170,080	170,080	878	42,144
AH Micro8 Hub	Ungerman-Bass 10-base-T LAN Hub	1	245	245	3	144
MS 575	Pentium PC with 36 MB memory, 270 MB disk, ethernet card	3	3,264	9,792	22	3,168
Server Totals				180,117		45,456
Service Acceleration Option				10%		5,682
Extended Maintenance Discount				7%		-3,580
Service Prepayment Option				18.0%		-9,205
<u>Tandem Software</u>						
K204TPS	NonStop Kernel, Tandem TCP/IP, NonStop SQL/MP, NonStop TS/MP, Pathway/TS, RSC Host and RSC SCO-Client	1	90,515	90,515	215	12,900
Server Software Totals				90,515		12,900
Service Acceleration Option				10%		1,290
Extended Maintenance Discount				7%		-993
Service Prepayment Option				13.0%		-1,845
Tandem Components Subtotal				\$320,337		
<u>Terminal Connectivity Hardware and Client Software</u>						
990167	Equinox Base Unit	6	1,269	7,614	180	1,080
990167	(Equinox Base Unit spares)	2	1,269	2,538	180	360
990159	Equinox Expansion Unit	18	695	12,510	98	1,764
990159	(Equinox Expansion Unit spares)	2	695	1,390	98	196
Scoe1800	SCO Open Server Enter. 5 user	3	971	2,913	389	1,167
Scoe1805	SCO Open Server Enter. 100 user	6	2,246	13,476	2,248	13,488
Scoe10050	SCO Open Server Develop. System	1	596	596	239	239
Non-Tandem Components Subtotal				41,037		18,294
Total 5 Year System Price				\$379,668		
			tpmC	603.80		
			\$/tpmC	628.80		

Notes:

- Results audited by TPC certified auditor Lorna Livingtree of Performance Metrics Inc.