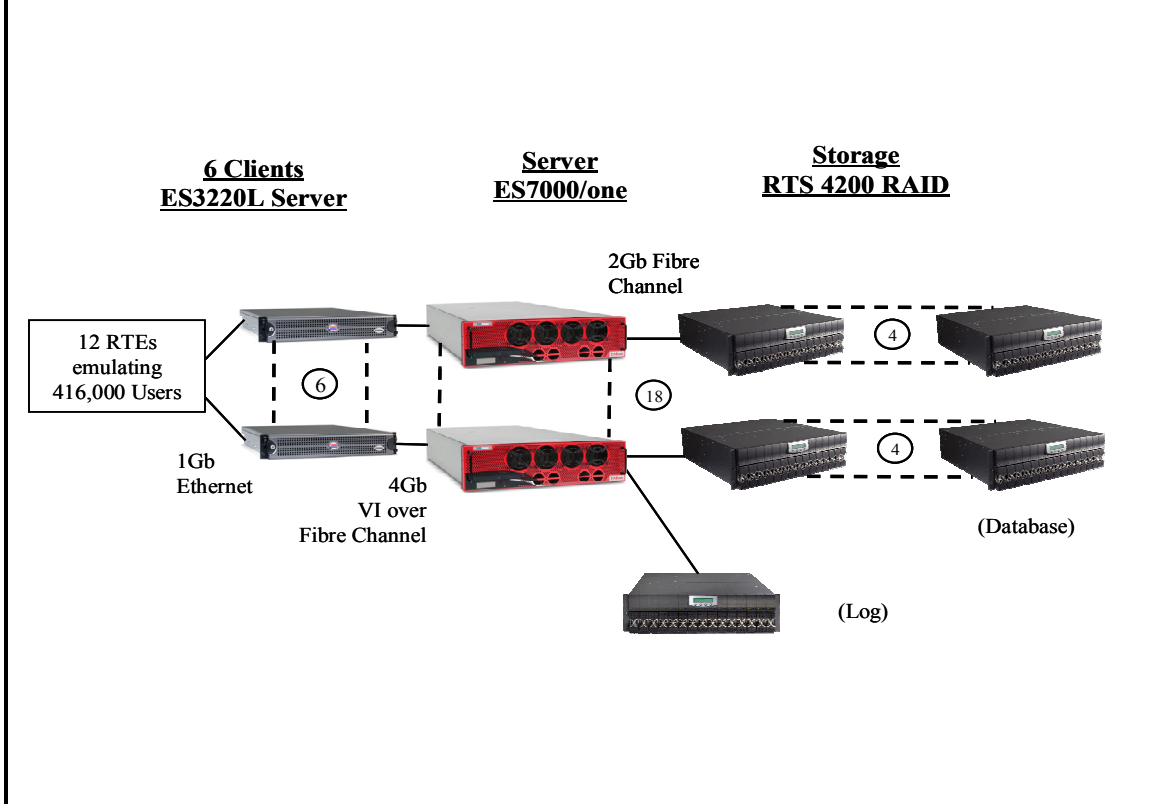


UNISYS	ES7000/one Enterprise Server (8s)		TPC-C 5.8.0 TPC Pricing 1.1.0
			Report Date March 23, 2007
Total System Cost	TPC-C Throughput	Price/Performance	Availability Date

\$1,420,245 USD	520,467 tpmC	\$2.73 USD/tpmC	May 1, 2007
------------------------	---------------------	------------------------	--------------------

Processors/ Cores/Threads	Database Manager	Operating System	Other Software	Number of Users
8/16/32 Database 6/12/12 Clients	Microsoft SQL Server 2005 Enterprise x64 Edition	Microsoft Windows Server 2003, Enterprise x64 Edition	Windows Server 2003 w/ IIS 6.0 and COM+ Microsoft Visual C++	416,000



System Components	Qty.	Server	Qty.	Each Client (6)
Processors/Cores/Threads Cache	8/16/32	Intel® Dual-Core Xeon® Processo 7140M 3.4GHz, 16MB L3 Cache	1/2/2	Intel® 64-bit Dual-Core Proc 5140 2.33GHz , 4MB L2 Cache
Memory	1	256GB (4GB DIMMs)	1	2GB (1GB DIMMs)
Disk Controllers	10 1	PCI Fibre Channel PCI SAS RAID (boot)	1	Inbuilt SAS
Disk Drives	1080 26 2	73GB FC 15K rpm 146GB FC 15K rpm 73GB SAS 15K rpm (boot media)	1	73GB SAS 15K rpm
Total Storage		74.4 TB		67.7 GB
Other	4 3 4	Inbuilt 1Gb 2-Port NIC (0 used) PCI VI-over-FC Controller IDE DVD/CD R/RW (1 used)	2 1 1	Inbuilt 1Gb NIC (1 used) PCI VI-over-FC Controller IDE CD-ROM

UNISYS	ES7000/one Enterprise Server (8s)		TPC-C 5.8.0 TPC Pricing 1.0.1				
			Report Date March 23, 2007				
			Description	Part Number	Price Source	Unit Price	Qty.
Server Hardware:							
40U Rack with top and Rear Doors	RCK4019421-FSS	1	\$2,470	1	\$2,470		
Rack Open Fron Trim Kit	RCK4019421-OTK	1	\$238	1	\$238		
4 Outlet PDU with Cord	PWR4201-220	1	\$189	4	\$756		
Information Kit	CTM6005-CBI	1	\$1	1	\$1		
ES7000/one (8 Processors 32 GB Memory)	ES7112086-700	1	\$144,875	1	\$144,875	\$6,840	
VI Interface to Client, dual port	FCH7440231-PCX	1	\$1,900	3	\$5,700		
Fibre Channel HBA, dual port	FC76222-P64	1	\$2,850	10	\$28,500		
Boot Disk (2x73GB LSI Disk)	FAC7100722-IDK	1	\$1,853	1	\$1,853		
Initial Memory (8 GB)	FAC7102402-ICA	1	\$9,880	4	\$39,520		
Memory Expansion (64 GB)	FAC7116402-64G	1	\$59,584	3	\$178,752		
SWTCH: KVM 16-Port PS/2-Cat5	KVM9163101-SWC	1	\$1,805	1	\$1,805		
Adapter PS2 to CAT5	KVM9001301-CNV	1	\$114	1	\$114		
I/F: Monitor, 17-inch LCD, Kybrd, Mse & Cable	ES70004-UIF	1	\$618	1	\$618		
Subtotal					\$405,202	\$6,840	
Server Software:							
O/S: Windows 2003 Srvr, EE x64 Edtn, 8P	P72-00274	2	\$2,334	1	\$2,334	\$0	
Microsoft SQL Server 2005 Enterprise x64 Edtn.	810-03150	2	\$23,911	8	\$191,288		
SRVC: Microsoft Problem Resolution Services **		2	\$245	1		\$245	
Subtotal					\$193,622	\$245	
Storage Hardware:							
CAB: 36U x 19" x 41" Open Front Cabinet	HRT361941-OFT	1	\$1,425	7	\$9,975		
Power Strip (8 Outlet)	SFR9-PWR	1	\$162	21	\$3,402		
Power Cord	USE1936-LC6	1	\$86	21	\$1,806		
FC Cable (20m)	GCFAZLLM20-M	3	\$35	25	\$868		
Ethernet Cables	GCP0888925-BK	3	\$4	22	\$84		
Netgear 16 Port Switch	FS116	4	\$60	4	\$240	Spared	
Basic Enclosure (50 Pkg)	RTS412880-P50	1	\$212,548	1	\$212,548		
Basic Enclosure (5 Pkg)	RTS412880-P05	1	\$41,539	1	\$41,539		
RAID Controller	RTS422880-P01	1	\$13,544	3	\$40,632		
RAID Controller (15 Pkg)	RTS422880-P15	1	\$57,807	1	\$57,807		
Link Cable -1 Meter	RTS400650-P01	1	\$108	1	\$108		
Link Cable (5 Pkg)	RTS400650-P05	1	\$521	1	\$521		
Link Cable (50 Pkg)	RTS400650-P50	1	\$2,896	1	\$2,896		
Optical Transceiver	RTS400150-P01	1	\$203	2	\$406		
Optical Transceiver (10 Pkg)	RTS400150-P10	1	\$1,874	1	\$1,874		
Optical Transceiver (60 Pkg)	RTS400150-P60	1	\$6,005	2	\$12,010		
Power Cord	RTS400740-1	1	\$13	148	\$1,924		
Rack Mount Kit	RTS400012-P01	1	\$813	2	\$1,626		
Rack Mount Kit (5 Pkg)	RTS400012-P05	1	\$1,800	1	\$1,800		
Rack Mount Kit (10 Pkg)	RTS400012-P10	1	\$6,152	1	\$6,152		
Rack Mount Kit (20 Pkg)	RTS400012-P20	1	\$7,915	1	\$7,915		
Battery Backup	RTS420020-BAT	1	\$542	1	\$542		
73 GB Disk Drive(70 Pkgs with 15 drives in each)	RTS4307315-P70	1	\$486,802	1	\$486,802		
73 GB Disk Drive (15 Drives)	RTS4307315-P01	1	\$14,118	2	\$28,236		
SAN Manager Software	RTS44101-SAN	1	\$4,334	1	\$4,334		
Dual Controller RAID Enclosure	RTS422880-2X2	1	\$21,129	1	\$21,129		
146 GB Disk Drive (Pkg of 30 drives)	RTS4314615-P30	1	\$23,077	1	\$23,077		
UPS	RTS412120-UPS	1	\$2,438	1	\$2,438		
Subtotal					\$972,690	\$0	
Client Hardware:							
Single 2.33 Ghz Processor System with 4 MB cache	ESL3220201-233	1	\$2,180	6	\$13,080	\$3,042	
Brand Kit	ESL322001-UNI	1	\$26	6	\$156		
Internal CD ROM	CDR3220650-INT	1	\$40	6	\$240		
CD ROM Cable	CBL322001-CD	1	\$26	6	\$156		
SAS Disk Controller	SAL322001-S51	1	\$91	6	\$546		
73 GB Hard Drive	HDP73110-SAS	1	\$398	6	\$2,388		
PCI-X Riser	PWA322001-PCX	1	\$53	6	\$318		
USB PS2	ADP3000-U2P	1	\$26	6	\$156		
2 GB Memory Kit	DIM3220042-2GB	1	\$862	6	\$5,172		
Mounting Rails for Rack Mount	ESL322001-RVR	1	\$332	6	\$1,992		
KVM Switch Cable	CBL12161-KVM	1	\$80	6	\$480		
Bezel	ESL322001-BZL	1	\$26	6	\$156		
Fiber Channel Card to Database	FCH7440231-PCX	1	\$1,900	6	\$11,400		
Subtotal					\$36,240	\$3,042	
Client Software:							
O/S: Windows Server 2003, Standard Edition	P73-00295	2	\$719	6	\$4,314	** Inc. above	
ACC: Microsoft Visual C++ Standard Edition	254-00170	2	\$109	1	\$109	** Inc. above	
Subtotal					\$4,423	\$0	
Computer Resolutions Inc. 15% Volume Cash Discount (Ext.Price where Price.Source=1)					(\$211,941)		
Benchmark results and test methodology audited by Lorna Livingtree of Performance Metrics, Inc.					Total USD \$1,410,363 \$9,882		
Notes: 1. * 10% or minimum 2 spares are added in place of onsite service.					3-Year Cost of Ownership: \$1,420,245 USD		
2. HW & SW maintenance at 24 x 7 w/ 4 hr. max. response time for spares.					tpmC Rating: 520,467		
3. Price Source: 1 = CRI/Unisys Maint 2 = Microsoft 3 = GoCables 4 = NewEgg.com					\$ / tpmC: \$2.73 USD		
Prices used in TPC benchmarks reflect the actual prices a customer would pay for a one-time purchase of the stated components. Individually negotiated discounts are not permitted. Special prices based on assumption about past or future purchases are not permitted. All discounts reflect standard pricing policies for the listed components. For complete details, see the pricing sections of the TPC benchmarks specifications. If you find that the stated prices are not available according to these terms, please inform the TPC at pricing@tpc.org. Thank You.							

Numerical Quantities Summary

MQTh, Computed Maximum Qualified Throughput: 520,467 tpmC

Response Times, in seconds

Transaction	90th %ile	Average	Maximum
New-Order	0.50	0.30	5.39
Payment	0.48	0.28	5.44
Order-Status	0.50	0.29	5.23
Delivery (interactive portion)	0.42	0.23	1.56
Delivery (deferred portion)	0.17	0.13	5.63
Stock-Level	0.81	0.54	2.23
Menu	0.42	0.23	1.92

Response time delay added for emulated components, in seconds

RT Response time	0.1
Menu Response time	0.1

Transaction Mix, in percent of total transactions

New Order	44.92%
Payment	43.03%
Order-Status	4.01%
Delivery (interactive portion)	4.00%
Stock-Level	4.02%

Keying / Think Time Times, in seconds

Transaction	Minimum	Average	Maximum
New Order	18.01 / 0.00	18.01 / 12.03	18.03 / 120.31
Payment	3.01 / 0.00	3.01 / 12.03	3.03 / 120.31
Order-Status	2.01 / 0.00	2.01 / 10.07	2.03 / 100.70
Delivery (interactive portion)	2.01 / 0.00	2.01 / 5.06	2.03 / 50.61
Stock-Level	2.01 / 0.00	2.01 / 5.06	2.03 / 50.61

Test Duration

Ramp up time	85 minutes
Measurement interval (M)	120 minutes
Transactions (all types) completed during measurement interval	139,013,734
Ramp-down time	3 minutes

Checkpointing:

Number of checkpoints	4
Checkpoint interval	30 minutes