



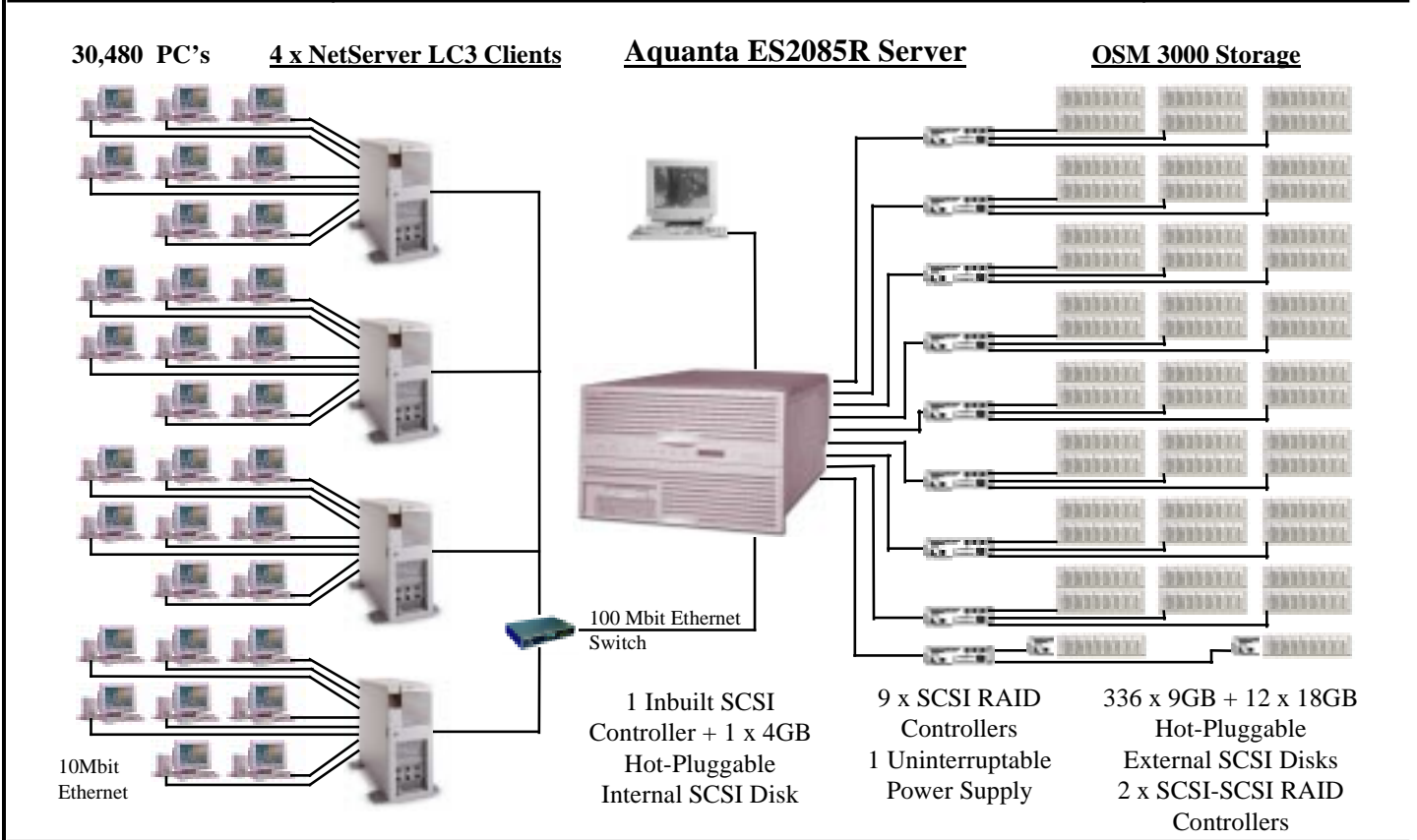
Aquanta ES2085R Server (8P 550MHz/2MB)

TPC-C Rev. 3.4

Report Date: 21-Jun-1999

Reprice Date: 11-Aug-1999

Total System Cost	TPC-C Throughput	Price/Performance		Availability Date
\$749,304	37,757.23 tpmC	\$19.85 per tpmC		30-Sep-1999
Processors	Database Manager	Operating System	Other Software	Number of Users
8 Pentium® III Xeon 550 MHz 2MB L2 cache	Microsoft SQL Server Enterprise Edition 7.0	Microsoft NT Server 4.0 Enterprise Edition	Microsoft IIS 3.0 Tuxedo 6.3 CFS	30,480



System Components	Server		Clients	
	Quantity	Type	Quantity	Type
Processors	8	550 MHz Pentium® III Xeon with 2MB Level 2 Cache	4	2 x 500MHz Pentium® II with 512KB Level 2 Cache
Memory	1	4096MB	4	384MB
Disk Controllers	9 + 2	SCSI RAID	4	Inbuilt SCSI
	1	Inbuilt SCSI		
Disk Drives	1	4.24 GB	4	3.97 GB
	336	8.54 GB		
	12	17.09 GB		
Total Storage		3079.38 GB		15.88 GB
CD-ROM / Tape	1	SCSI CD-ROM Drive	4	CD-ROM Drive

Unisys Corporation		Aquanta ES2085R Server (8P 550MHz/2MB)				TPC-C Rev 3.4 11-Aug-1999	
Description	Style	Third Party		Unit		Extended Price	5 Years Maint.
		Brand	Pricing	Price	Qty.		
Server Hardware							
SYS: Aquanta ES2085R, w/ CDROM, 0 Proc, 0MB Mem	ESR208151-GZN		1	\$17,680	1	\$17,680	\$3,720
PROC: 550MHz Pentium III Xeon /2MB Cache & VRMs	XEO3550-2MB		1	\$5,893	8	\$47,144	\$18,720
BRD: Processor Mezzanine Board, 0 Proc.	ESR81-MEZ		1	\$1,179	1	\$1,179	\$456
BRD: Memory Carrier Board, 0 Mem.	ESR81-MCB		1	\$737	1	\$737	\$264
MEM: 128 MB Memory Upgrade	DIM6168-128		1	\$442	32	\$14,144	\$11,136
MEM: Cache Coherency 4x SRAM	ESR81-CC4		1	\$921	2	\$1,842	\$696
DISK: 4GB Drive, Ultra SCSI SCA	HDS417-CX1		1	\$406	1	\$406	\$264
ETHERNET: 100Mbit/sec, PCI 32-bit	ETH1010051-PCI		1	\$99	1	\$99	
MONITOR:15-inch Color	EVG2100-P		1	\$221	1	\$221	
KEYBD: 104 Key Spacesaver	PCK104-SKB		1	\$26	1	\$26	
MOUSE: 2 Button PS2	PWM1-PS2		1	\$15	1	\$15	
CTRL: RAID 3-Ch PCI	RAD5003-P64		1	\$1,400	9	\$12,600	\$6,264
MEM: 32MB Cache & Battery BU	RAD5323-MEB		1	\$479	9	\$4,311	\$2,160
Subtotal						\$100,404	\$43,680
Storage Hardware							
DISK: 9GB Drive, 10K SCSI LVD, SCA + 10% spares	OSD9205-W45		1	\$618	370	\$228,660	spared
DISK: 18GB Drive, 10K SCSI LVD, SCA + 10% spares	OSD18205-W45		1	\$1,153	14	\$16,142	spared
CAB: Disk, 8 SCA w/ I/F cards, 0 Disks, 3U	OSM310300-L05		1	\$2,118	48	\$101,664	\$46,080
CAB: Disk, 8 SCA w/ RAID Cntl'r, 0MB, 0 Disks, 3U	OSM311000-LR		1	\$4,191	2	\$8,382	\$4,248
MEM: 32MB OSM cache	OSM1032-MEM		1	\$187	2	\$374	\$216
PWR: 2nd Power Supply Upgrade, OSM	OSM3000-BPF		1	\$392	2	\$784	\$264
PWR:3000 VA UPS, 3U	UPD30001-SXR		1	\$1,897	1	\$1,897	\$936
CBL: SCSI 68-pin VHD Conn's, 5 meter	CBL134-5		1	\$142	26	\$3,692	
CBL: SCSI 68-pin VHD Conn's, 0.5 meter	CBL134-CAT		1	\$69	24	\$1,656	
PWR: Distribution Unit, 6 OSM Cabinets	RM1-PDU		1	\$379	10	\$3,790	\$6,000
CAB: Rackmount Kit for Disk Cages	OSM3000-RMK		1	\$84	50	\$4,200	
CAB: Rack Cabinet, w/ fill pnls, 36U	CAB361-SXR		1	\$1,694	5	\$8,470	
CAB: Bezel kit 36U	BEZ3611-CAB		1	\$295	5	\$1,475	
CAB: Stabilizer kit 0U	WGT39581-SXR		1	\$206	5	\$1,030	
PNL: L&R side panels 36U	PAN3621-SXR		1	\$283	5	\$1,415	
Subtotal						\$383,631	\$57,744
Server Software							
Microsoft NT Server Enterprise Edition 4.0, incl 25 CALS		Microsoft	2	\$3,999	1	\$3,999	\$0
Microsoft SQL Server Enterprise Edition 7.0, unlimited user license		Microsoft	2	\$28,999	1	\$28,999	\$10,475
Subtotal						\$32,998	\$10,475
Client Hardware							
SYS: NetServer LC3, w/1 500MHz Proc & CDROM, 0MB Mem	D8592-AV		1	\$2,895	4	\$11,580	\$5,232
PROC:1x500MHz Pentium III/512KB Cache UPG	D8593-AV		1	\$1,447	4	\$5,788	\$2,880
MEM: 64 MB SDRAM Memory Upgrade	D6097-AV		1	\$145	8	\$1,160	
MEM: 128 MB SDRAM Memory Upgrade	D6098-AV		1	\$255	8	\$2,040	
DISK: 4GB SCSI 3.5 Internal	D4910-AV		1	\$303	4	\$1,212	\$2,352
ETHERNET: 10/100TX Mbit/sec, PCI 32-bit	D5013-AV		1	\$68	20	\$1,360	
ETHERNET: 100Mbit/sec, PCI 32-bit, Quad	SF1001-ET4		1	\$958	4	\$3,832	\$1,584
MONITOR:15-inch Color	EVG2100-P		1	\$221	4	\$884	
Subtotal						\$27,856	\$12,048
Client Software							
Microsoft Windows NT Server 4.0, incl 5 CALS		Microsoft	2	\$809	4	\$3,236	\$0
Microsoft Visual C++ Professional 6.0		Microsoft	2	\$549	1	\$549	\$0
TUXEDO Core Functional Services 6.3 for NT		BEA	3	\$3,000	4	\$12,000	\$9,600
Subtotal						\$15,785	\$9,600
User Connectivity							
Ethernet Switch, 8-Port 100TX TrueFast + 10% spares	NX-SW8	Netlux	4	\$229	3	\$687	spared
Ethernet Hub, 8-Port 10Base-T (8+1 ports) + 10% spares	Z85094	General	5	\$28	4207	\$117,796	spared
Subtotal						\$118,483	\$0
Total						\$679,157	\$133,547
Unisys Service Pre-Pay Discount							(\$12,211)
Western Micro discount			1			(\$51,189)	
Notes:							
1. HW Maintenance - First 36 months that are included in Unisys warranty are upgraded to service level: Standard Performance-Gold. Last 24 months are also at service level: Standard Performance-Gold.						Five Year Cost of Ownership \$749,304 TPC-C Throughput 37,757.23 \$/tpmC \$19.85	
2. All Microsoft maintenance is covered by the maintenance cost of Microsoft SQL Server.							
3. 10% or minimum 2 spares are added in place of onsite service (products have a five year return-to-vendor warranty)							
4. Pricing: 1 = Western Micro, 2 = Microsoft, 3 = BEA, 4 = Netlux, 5 = Software House Int'l							
The benchmark results and test methodology were audited by Tom Sawyer of Performance Metrics, Inc.							
Prices used in TPC benchmarks reflect the actual prices a customer would pay for a one-time purchase of the stated components. Individually negotiated discounts are not permitted. Special prices based on assumption about past or future purchases are not permitted. All discounts reflect standard pricing policies for the listed components. For complete details, see the pricing sections of the TPC benchmarks specifications. If you find that the stated prices are not available according to these terms, please inform the TPC at pricing@tpc.org. Thank You.							

NUMERICAL QUANTITIES SUMMARY
for
Unisys Aquanta ES2085R Server

MQTh, Computed Maximum Qualified Throughput:
% throughput difference, reported & reproducibility runs:

37,757.23
0.09%

Transaction Mix

New Order	44.82%
Payment	43.09%
Delivery	4.03%
Stock-Level	4.05%
Order-Status	4.02%

Response Times

Transaction	Average	Maximum	90th %ile
New-Order	0.58	5.54	0.91
Payment	0.42	4.64	0.75
Delivery	0.13	1.41	0.15
Stock-Level	2.51	7.91	2.97
Order Status	0.45	4.51	0.77
Menu	0.13	3.68	0.15
Delivery (Deferred)	0.57	3.53	0.78

Response time delay added for emulated components (seconds)

RT Response time	0.1
Menu Response time	0.1

Keying/Think Time Times (seconds)

Transaction	Minimum	Average	Maximum
New-Order	18.00/0	18.01/12.05	18.04/120.3
Payment	3.00/0	3/12.04	3.02/120.3
Delivery	2.00/0	2/5.08	2.02/50.6
Stock-Level	2.00/0	2/5.07	2.02/50.6
Order-Status	2.00/0	2/10.09	2.01/100.71

Test Duration

Ramp up time	25 minutes
Measurement interval (M)	30 minutes
Transactions (all types) completed during measurement interval	2,527,120
Ramp-down time	54 minutes

Checkpointing:

Number of checkpoints	1
Checkpoint interval	30 minutes