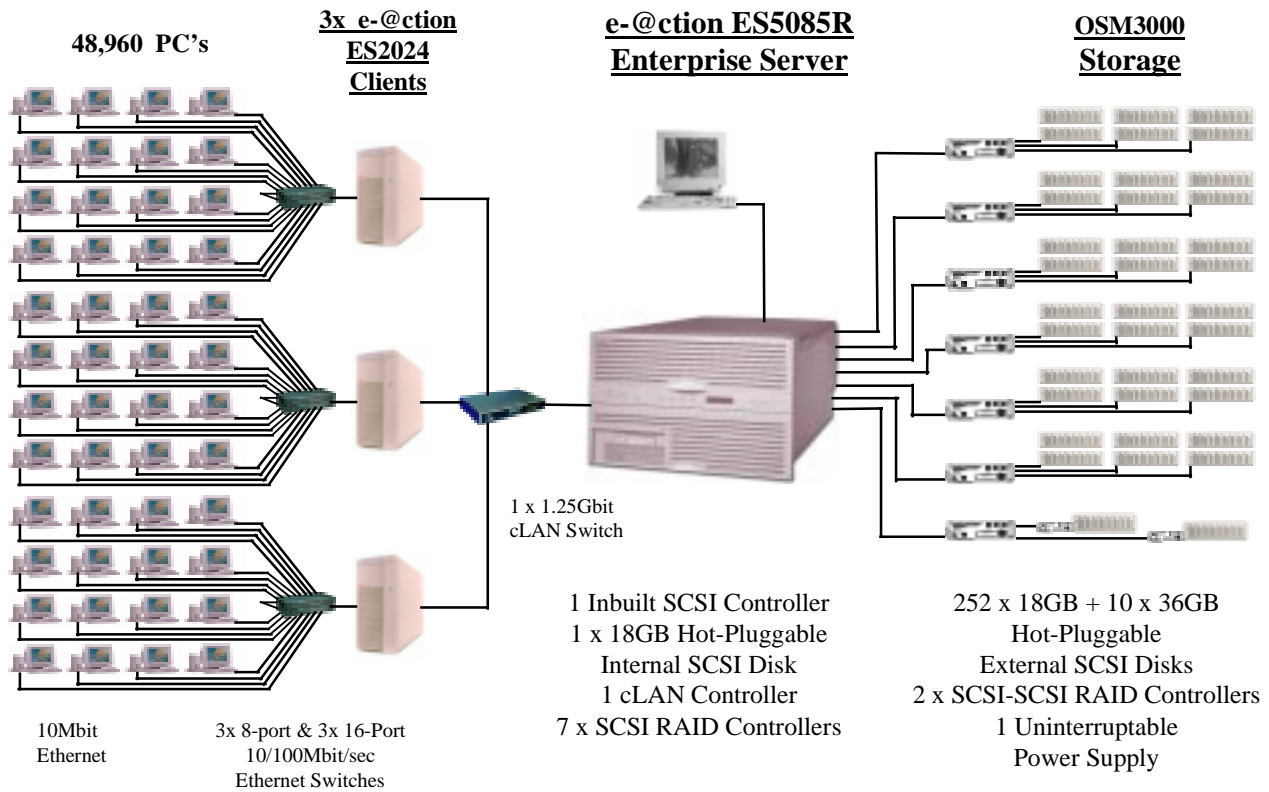




e-@ction Enterprise Server ES5085R
(8P 700MHz/2MB)

TPC-C Rev. 3.5
Report Date: 14-Nov-2000
Revision Date: 18-Jan-2001

Total System Cost	TPC-C Throughput	Price/Performance	Availability Date
\$858,408	61,390.43 tpmC	\$13.99 per tpmC	1-Mar-2001
Processors	Database Manager	Operating System	Other Software
8 Pentium® III Xeon 700 MHz 2MB L2 cache	Microsoft SQL Server 2000 Enterprise Edition	Microsoft Windows 2000 Datacenter Server	Windows 2000 Server, IIS 5.0 and COM+
			Number of Users
			48,960



System Components	Enterprise Server		Clients (each of 3)	
	Quantity	Type	Quantity	Type
Processors	8	700 MHz Pentium® III Xeon with 2MB Level 2 Cache	2	866 MHz Pentium® III with 256KB Level 2 Cache
Memory	1	32 GB	1	1024 MB
Disk Controllers	7 + 2	SCSI RAID Inbuilt SCSI	1	Inbuilt SCSI
Disk Drives	253	17.0 GB	1	16.9 GB
	10	34.0 GB		
Total Storage		4640.14 GB		16.9 GB
CD-ROM / Tape	1	SCSI CD-ROM Drive	1	CD-ROM Drive



e-@ction Enterprise Server ES5085R
(8P 700MHz/2MB)

TPC-C Rev 3.5
Revision Date: 18-Jan-2001

Description	Style	Third Party Brand	Pricing	Unit Price	Qty.	Extended Price	5 Years Maint.
Server Hardware							
SYS: ES5085R, 0CPU, 0MB	ESR508152-GZN			\$13,407	1	\$13,407	\$2,184
PROC: 700MHz Pentium III Xeon /2MB Cache	XEO37002-2MB			\$3,315	8	\$26,520	\$9,984
MEM: 1GB Memory, SDRAM, Buf 6ns	DIM6168-1GB			\$3,094	32	\$99,008	\$33,024
BRD: Processor Mezzanine Board, 0 Proc.	ESR82-MEZ			\$958	1	\$958	\$168
BRD: Memory Carrier Board, 0 Mem.	ESR81-MCB			\$737	1	\$737	\$216
MEM: Cache Coherency Filter, 4x SRAM	ESR81-CC4			\$774	2	\$1,548	\$528
CTRL: RAID, PCI, 4-Ch w/ 0MB Mem	RAD6004-P64			\$1,400	7	\$9,800	\$3,360
MEM: RAID 32MB Cache & Bat. BU	RAD6324-MEB			\$479	7	\$3,353	\$1,176
CTRL: cLAN, PCI Host Adapter & Cable	PCI10001-CXG			\$587	1	\$587	\$168
DISK: 18GB, 10K SCSI LVD, SCA	HDM18110-CX1			\$567	1	\$567	\$192
MAINT: 3 Yr. Performance Gold Svc Warranty Upgrade	WI8003-PGS			\$1,768	1	\$1,768	\$1,768
MONITOR: 15-inch Color	EVG2100-P			\$221	1	\$221	
Subtotal						\$156,706	\$52,768
Storage Hardware							
DISK: 18GB Drive, 15K SCSI LVD, SCA	ESM18308-W45			\$737	252	\$185,724	
DISK: 18GB Drive, 15K SCSI LVD, SCA 10% spares	ESM18308-W45			\$737	26		\$19,162
DISK: 36GB Drive, 10K SCSI LVD, SCA	OSD36209-W45			\$1,172	10	\$11,720	
DISK: 36GB Drive, 10K SCSI LVD, SCA 10% spares	OSD36209-W45			\$1,172	2		\$2,344
CAB: Disk, 8 SCA w/ I/F cards, 0 Disks, 3U	ESM310300-L05			\$2,100	36	\$75,600	\$38,448
CAB: Disk, 8 SCA w/ RAID Cntl'r, 0MB, 0 Disks, 3U	ESM311000-LR			\$5,166	2	\$10,332	\$4,944
MEM: 32MB OSM cache	OSM1032-MEM			\$171	2	\$342	\$264
PWR: 2nd Power Supply Upgrade, OSM	OSM3000-BPF			\$530	2	\$1,060	\$312
PWR:3000 VA UPS, 3U	UPD30001-SXR			\$1,897	1	\$1,897	\$1,260
PWR: Distribution Strip, 220V	SFR9-PWR			\$111	8	\$888	
CBL: SCSI 68-pin VHD Conn's, 5 meter	CBL134-5			\$165	20	\$3,300	
CBL: SCSI 68-pin VHD Conn's, 0.5 meter	CBL134-CAT			\$73	18	\$1,314	
CAB: Rackmount Kit for Disk Cages	OSM3000-RMK			\$131	38	\$4,978	
CAB: 36U x 19" x 34" Cabinet, Open	RM361934-OFE			\$810	4	\$3,240	
DOOR: 36U x 19", Rear	RM3619-RDR			\$277	4	\$1,108	
PNL: 36U x 34" Side Skins, L&R	RM3634-SDS			\$221	4	\$884	
Subtotal						\$302,387	\$66,734
Server Software							
O/S: Microsoft Windows 2000 Datacenter Server	WSD200008-L			\$22,100	1	\$22,100	\$24,780
O/S: Win2K Datacenter Annual Subscription	DUS200008-L			\$6,335	5	\$31,675	
SYS MGT: ES7000 Value Add Software	ESS508020-N			\$368	1	\$368	\$360
APP: SQL Server 2000, Entrprs Edtn, per Proc. Lcnsng		Microsoft		\$16,541	8	\$132,328	\$10,475
Subtotal						\$186,471	\$35,615
Client Hardware							
SYS: ES2024 Tower, w/ 0 Proc., 0MB Mem	ES202141-GZN			\$1,547	3	\$4,641	\$1,584
PROC:1x866MHz Pentium III/256KB Cache	CPU3866133-256			\$368	6	\$2,208	\$3,312
ACC: Voltage Regulator	VRM3-83			\$29	3	\$87	
MEM: 256 MB SDRAM PC133ECC Memory	DIM13368-256			\$368	12	\$4,416	\$2,880
DISK: 18GB SCSI 3.5 Internal	ES2024-18G			\$553	3	\$1,659	\$576
CTRL: cLAN, PCI Host Adapter & Cable	PCI10001-CXG			\$586	3	\$1,758	\$504
MAINT: 3 Yr. Performance Gold Svc Warranty Upgrade	WI2003-PGS			\$1,031	3	\$3,093	
MONITOR:15-inch Color	EVG2100-P			\$221	3	\$663	
Subtotal						\$15,432	\$11,949
Client Software							
O/S: Microsoft Windows 2000 Server		Microsoft		\$738	3	\$2,214	Inc. above
ACC: Microsoft Visual C++ Professional 6.0		Microsoft		\$549	1	\$549	Inc. above
Subtotal						\$2,763	\$0
User Connectivity							
SWITCH: cLAN, 8-port, 1.25Gbit	SWT50082-CXG			\$5,157	1	\$5,157	\$1,704
SWITCH: Ethernet, 8-Port 100TX TrueFast + 10% spares	D-Link DSS-8+	Netlux		\$69	5	\$345	spared
SWITCH: Ethernet, 16-Port 10/100TX Fast	ETH410-T16			\$884	3	\$2,652	\$1,044
HUB: Ethernet,17-Port 10Base-T + 10% spares	CT1017D1	ArkPC		\$31	3380	\$104,780	spared
Subtotal						\$112,934	\$2,748
Total						\$776,693	\$169,814
Unisys Service Pre-Pay Discount							
Comark discount					1	(\$56,284)	(\$31,815)

Notes:		
1. HW Maintenance - Unisys 36 month warranty is upgraded to service level: Standard Performance-Gold. Last 24 months are also at service level: Standard Performance-Gold.		
2. All Microsoft maintenance is covered by the maintenance cost of Microsoft SQL Server.		
3. 10% or minimum 2 spares are added in place of onsite service (products have a five year return-to-vendor warranty)		
4. Pricing: 1 = Comark, 2 = Microsoft, 3 = Netlux, 4 = ArkPC		
Five Year Cost of Ownership TPC-C Throughput \$/tpmC		\$858,408 61,390.43 \$13.99

The benchmark results and test methodology were audited by Tom Sawyer of Performance Metrics, Inc.
Prices used in TPC benchmarks reflect the actual prices a customer would pay for a one-time purchase of the stated components. Individually negotiated discounts are not permitted. Special prices based on assumption about past or future purchases are not permitted. All discounts reflect standard pricing policies for the listed components. For complete details, see the pricing sections of the TPC benchmarks specifications. If you find that the stated prices are not available according to these terms, please inform the TPC at pricing@tpc.org. Thank You.

NUMERICAL QUANTITIES SUMMARY
for
Unisys e-@ction Enterprise Server ES5085R

MQTh, Computed Maximum Qualified Throughput:
% throughput difference, reported & reproducibility runs:

61,390.43
0.04%

Transaction Mix

New Order	44.86%
Payment	43.05%
Delivery	4.02%
Stock-Level	4.03%
Order-Status	4.00%

Response Times

Transaction	Average	Maximum	90th %ile
New-Order	0.32	4.61	0.61
Payment	0.28	4.64	0.57
Delivery	0.17	1.15	0.31
Stock-Level	0.56	2.35	0.87
Order Status	0.28	3.31	0.57
Menu	0.17	1.15	0.31
Delivery (Deferred)	0.20	1.13	0.31

Response time delay added for emulated components (seconds)

RT Response time	0.1
Menu Response time	0.1

Keying/Think Time Times (seconds)

Transaction	Minimum	Average	Maximum
New-Order	18.00/0	18/12.02	18.04/120.3
Payment	3.00/0	3/12.03	3.03/120.3
Delivery	2.00/0	2/5.05	2.02/50.6
Stock-Level	2.00/0	2/5.07	2.03/50.6
Order-Status	2.00/0	2/10.04	2.02/100.71

Test Duration

Ramp up time	46 minutes
Measurement interval (M)	30 minutes
Transactions (all types) completed during measurement interval	4,104,646
Ramp-down time	114 minutes

Checkpointing:

Number of checkpoints	1
Checkpoint interval	30 minutes